

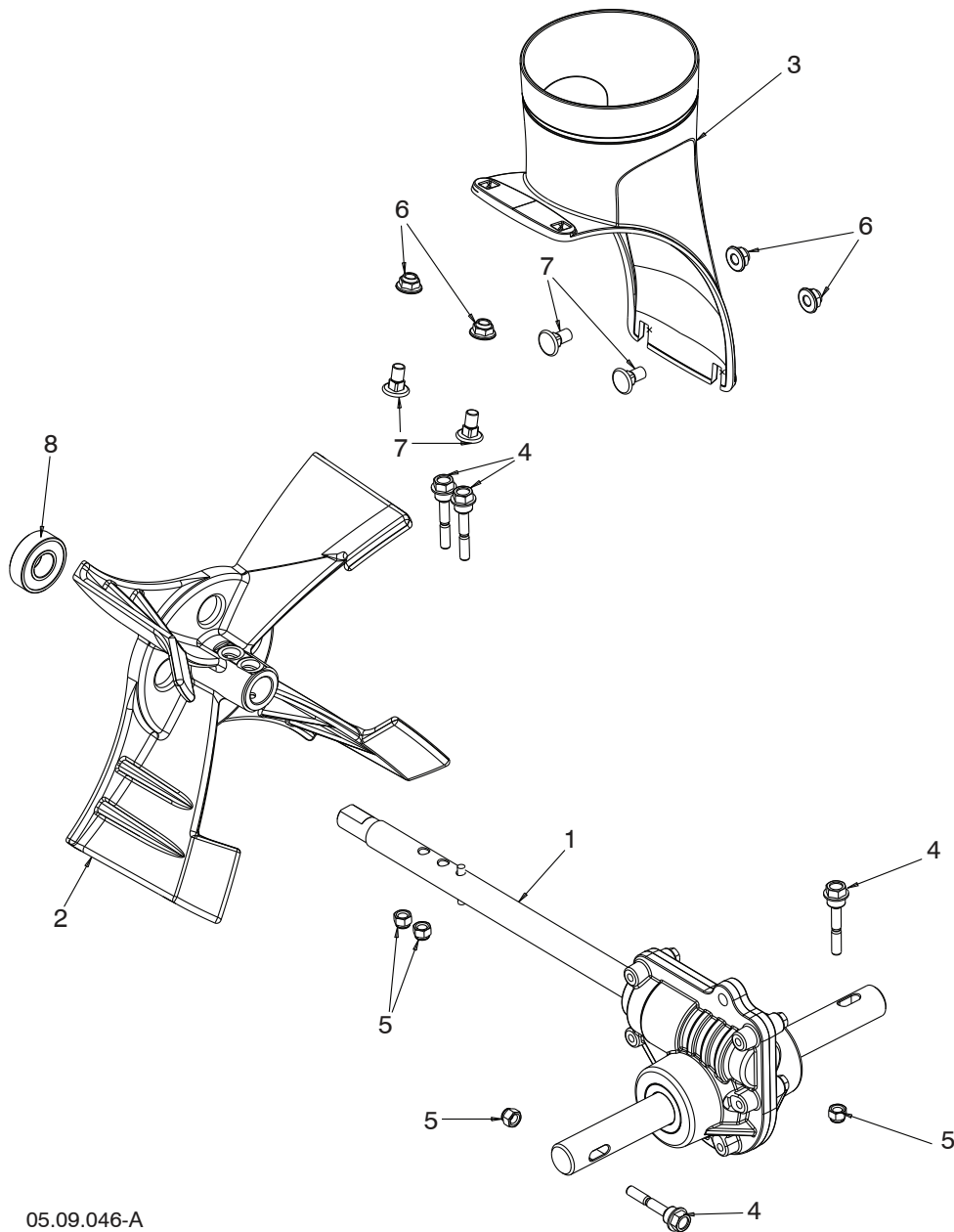
ILLUSTRATED PARTS LIST

MODEL NUMBER ST 427T
PRODUCT NUMBER 961 93 01-33
MFG. ID. NUMBER 96193013301

REPAIR PARTS

AUGER HOUSING / IMPELLER ASSEMBLY

SNOW THROWER - MODEL NO. ST 427T (96193013301), PRODUCT NO. 961 93 01-33



05.09.046-A

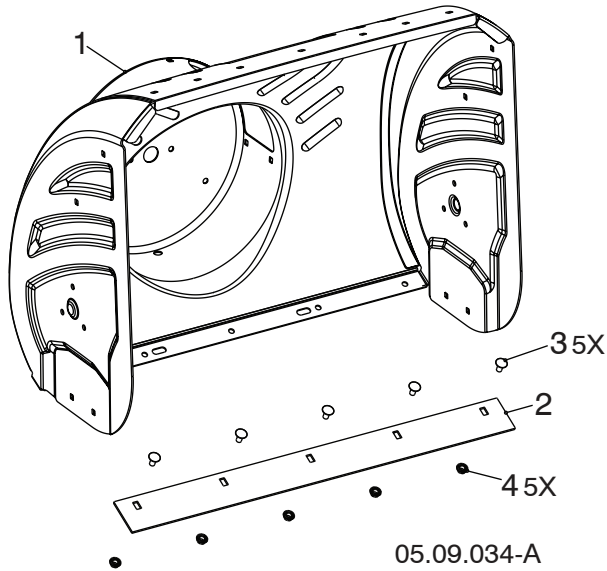
KEY NO.	PART NO.	DESCRIPTION	KEY NO.	PART NO.	DESCRIPTION
1	582 86 77-01	AUGER TRANSMISSION, CAST IRON	5	595 08 66-01	NUT. NYLOCK 1/4-20
2	585 19 83-03	IMPELLER, CAST IRON	6	585 69 13-01	NUT. FLANGE. NY LOCK 5/16-18 - BLK
3	593 04 28-02	CHUTE. DISCHARGE. BASE - CAST ALUMINUM	7	585 69 12-01	BOLT. CARRIAGE. WAFER HEAD 5/16-18 X 5/8- BLK
4	588 07 75-02	BOLT. SHEAR 1/4-20	8	532 19 87-91	BEARING. BALL

NOTE: All component dimensions given in U.S. inches. 1 inch = 25.4 mm
IMPORTANT: Use only Original Equipment Manufacturer (O.E.M.) replacement parts. Failure to do so could be hazardous, damage your snow thrower and void your warranty.

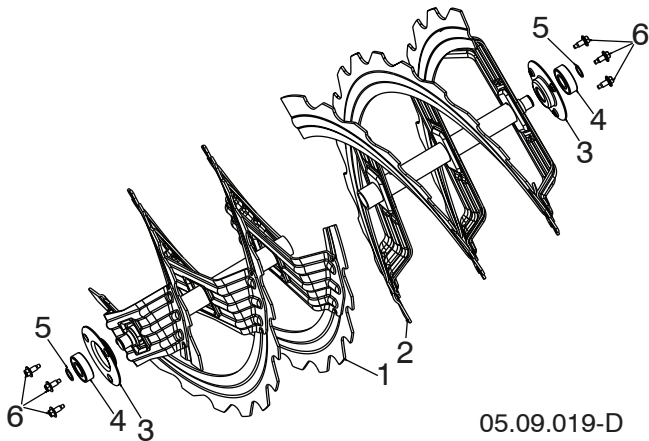
REPAIR PARTS

AUGER HOUSING / IMPELLER ASSEMBLY

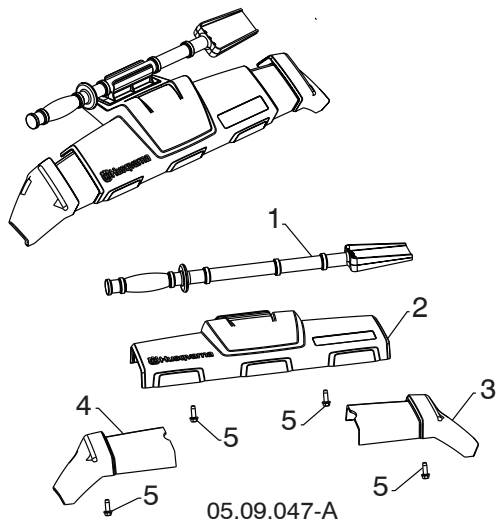
SNOW THROWER - MODEL NO. ST 427T (96193013301), PRODUCT NO. 961 93 01-33



KEY NO.	PART NO.	DESCRIPTION
1	588 61 02-38	AUGER HOUSING 27 LS
2	585 04 84-02	SHAVE PLATE 27 LS MS428
3	596 03 94-01	BOLT CARRIAGE 5/16-18 X .625
4	532 15 53-77	NUT 5/16-18 HEX TOP LOCK



KEY NO.	PART NO.	DESCRIPTION
1	581 97 01-03	AUGER RIBBON 27 RH LS
2	581 97 02-03	AUGER RIBBON 27 LH LS
3	580 85 55-01	SUPPORT AUGER BEARING
4	532 11 04-85	BEARING IDLER 6203
5	812 00 00-28	RING RETAINING #5100-52
6	585 51 78-01	SCREW 1/4-20 X .65 W/DOG POINT



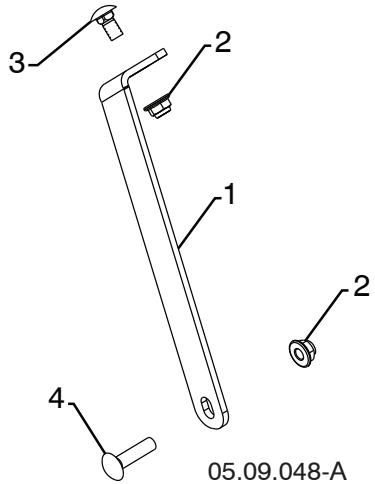
KEY NO.	PART NO.	DESCRIPTION
1	532 19 21-99	TOOL CLEANOUT
2	586 41 48-02	AUGER FRONT TRIM ASM
3	586 33 03-02	TRIM AUGER HOUSING WING RH
4	586 33 04-02	TRIM AUGER HOUSING WING LH
5	817 06 04-10	SCREW HEX WASHER TRI-LOBE 1/4-20 X 3/4

NOTE: All component dimensions given in U.S. inches. 1 inch = 25.4 mm
IMPORTANT: Use only Original Equipment Manufacturer (O.E.M.) replacement parts.
 Failure to do so could be hazardous, damage your snow thrower and void your warranty.

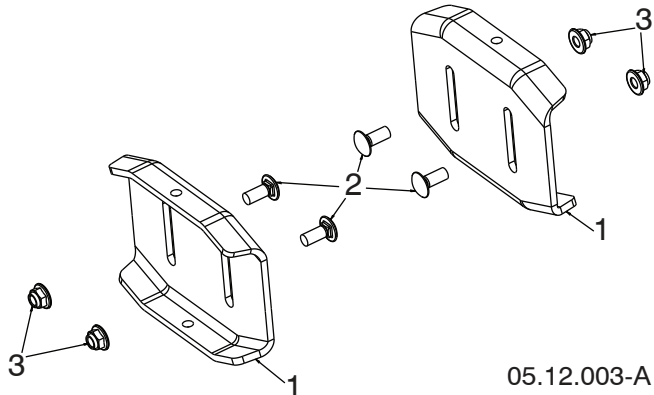
REPAIR PARTS

AUGER HOUSING / IMPELLER ASSEMBLY

SNOW THROWER - MODEL NO. ST 427T (96193013301), PRODUCT NO. 961 93 01-33



KEY NO.	PART NO.	DESCRIPTION
1	585 10 90-04	SUPPORT GEARBOX LS
2	585 69 13-01	NUT HEX FLG NYLOCK BLK 5/16-18
3	585 83 20-01	BOLT CARRIAGE BLK 5/16-18 X 5/8 BLK
4	872 11 05-10	BOLT CARRIAGE 5/16-18 X 1-1/4



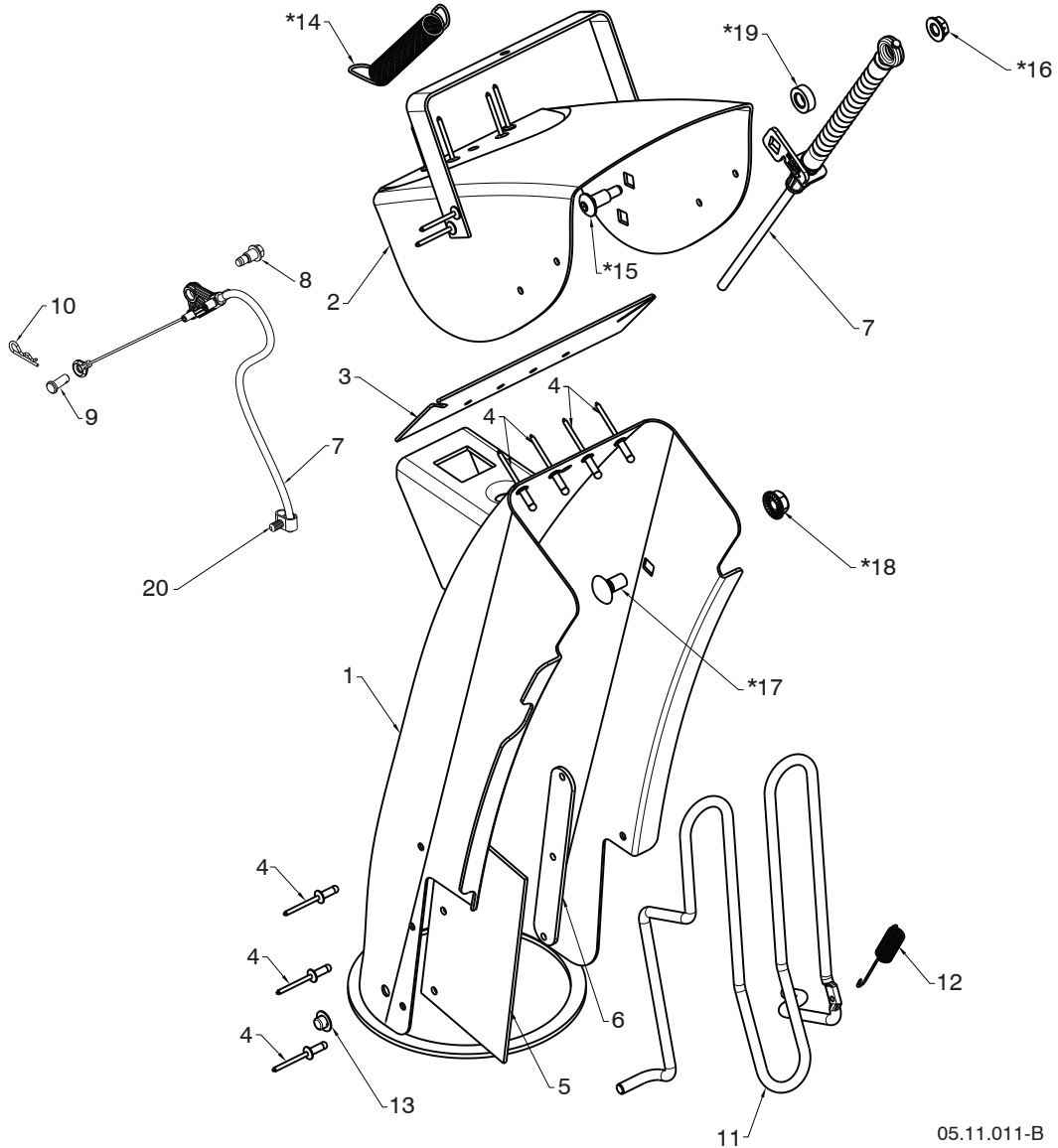
KEY NO.	PART NO.	DESCRIPTION
1	532 40 78-34	SKID PLATE
2	585 69 17-01	BOLT CARRIAGE 5/16-18 X .750 – BLK
3	585 69 13-01	NUT FLANGE NYLOCK 5/16-18 –BLK

NOTE: All component dimensions given in U.S. inches. 1 inch = 25.4 mm
IMPORTANT: Use only Original Equipment Manufacturer (O.E.M.) replacement parts. Failure to do so could be hazardous, damage your snow thrower and void your warranty.

REPAIR PARTS

CONTROL PANEL / DISCHARGE CHUTE

SNOW THROWER - MODEL NO. ST 427T (96193013301), PRODUCT NO. 961 93 01-33



05.11.011-B

KEY NO.	PART NO.	DESCRIPTION	KEY NO.	PART NO.	DESCRIPTION
1	588 07 78-02	CHUTE WELDMENT	13	532 05 93-49	PUSH NUT
2	-----	RIVETED DEFLECTOR ASSEMBLY	*14	532 18 45-05	DEFLECTOR SPRING
3	-----	DEFLECTOR SEAL	*15	501 41 73-01	CARRIAGE BOLT 1/4-20 X .544
4	-----	POP RIVET	*16	585 69 14-01	NUT 1/4-20
5	-----	CHUTE SNOW SHIELD	*17	585 83 20-01	CARRIAGE BOLT 3/8-16 X .625
6	-----	SHIELD STRAP RETAINER	*18	873 97 05-00	NUT 5/16-18
7	590 58 70-02	CONTROL.CHUTE. DEFLECTOR.BOWDEN	*19	501 41 74-01	WASHER .362 X .625 X .205 NYLON
8	581 72 61-01	SHOULDER BOLT 1/4-20	20	532 18 15-80	CLIP, DUAL
9	590 80 09-01	PIN CLEVIS 1/4 X .438			
10	532 42 33-03	HAIRPIN RETAINER			
11	532 43 55-82	CHUTE GUARD			
12	532 43 56-16	GUARD RETURN SPRING			

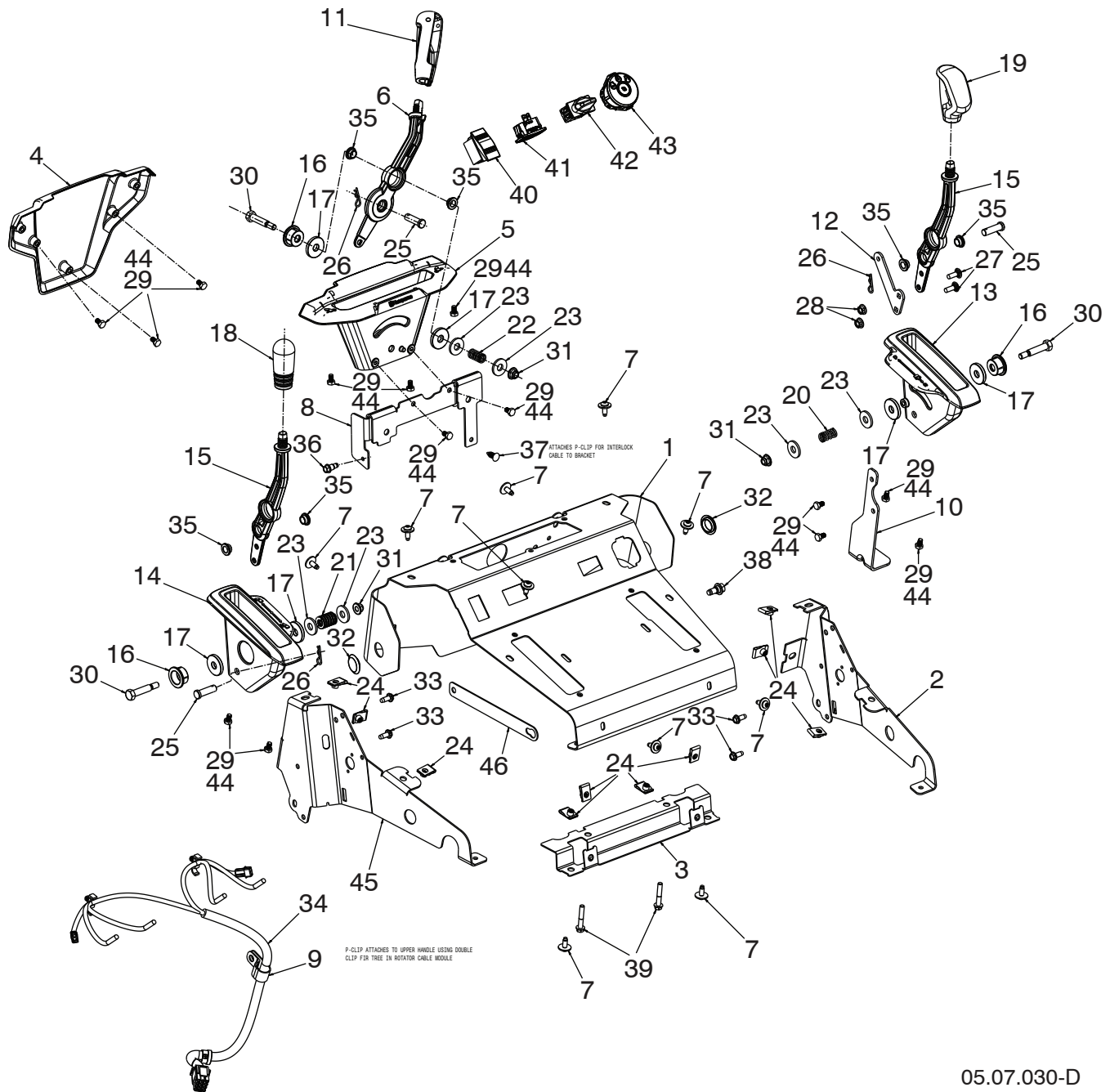
NOTE: ALL ITEMS MARKED WITH AN * ARE PROVIDED IN THE BAG OF ITEMS SHIPPED LOOSE WITH PRODUCT.

NOTE: All component dimensions given in U.S. inches. 1 inch = 25.4 mm
IMPORTANT: Use only Original Equipment Manufacturer (O.E.M.) replacement parts. Failure to do so could be hazardous, damage your snow thrower and void your warranty.

REPAIR PARTS

CONTROL PANEL / DISCHARGE CHUTE

SNOW THROWER - MODEL NO. ST 427T (96193013301), PRODUCT NO. 961 93 01-33



05.07.030-D

NOTE: All component dimensions given in U.S. inches. 1 inch = 25.4 mm
IMPORTANT: Use only Original Equipment Manufacturer (O.E.M.) replacement parts. Failure to do so could be hazardous, damage your snow thrower and void your warranty.

REPAIR PARTS

CONTROL PANEL / DISCHARGE CHUTE

SNOW THROWER - MODEL NO. ST 427T (96193013301), PRODUCT NO. 961 93 01-33

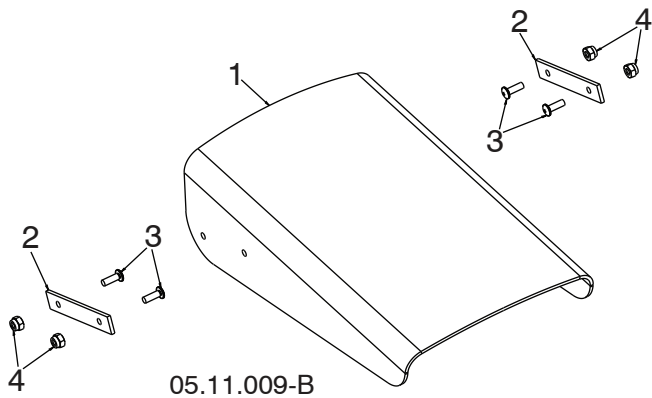
KEY NO.	PART NO.	DESCRIPTION	KEY NO.	PART NO.	DESCRIPTION
1	589 62 64-02	CONSOLE ASSY – 400 SERIES	27	596 23 84-01	1/4-20 X 3/4 CARRIAGE BOLT
2	589 62 68-04	CONSOLE SIDE RHS GREY	28	532 19 17-30	1/4-20 HEX FLANGE LOCK NUT
3	589 62 69-02	BRACKET REAR CONSOLE			
4	589 75 42-01	CONSOLE ASSY – LEFT SIDE PANEL	29	597 42 55-01	1/4-20 X 3/8 HEX WASHER HD BOLT
5	589 75 43-01	BRACKET ROTATOR REAR	30	593 09 20-01	BOLT SHOULDER 3/8 X 1.325
6	596 92 41-01	LEVER ROTATOR	31	594 94 44-01	NUT 5/16-18 HEX FLANGE NYLOCK
7	589 77 22-01	SCREW BUTTON HEAD WASHER CAP SCREW	32	593 08 42-01	PLUG 7/8
8	589 79 59-01	BRACKET CABLE CHUTE ROTATOR	33	817 06 04-10	SCREW 1/4-20 x 5/8 HEX WASHER
9	532 19 79-91	P-CLIP	34	593 07 92-01	HARNESS UPPER
10	589 79 65-01	BRACKET HYDRO CABLE	35	590 79 06-01	BUSHING LEVER
11	589 80 11-01	KNOB CHUTE ROTATOR	36	581 72 61-01	BOLT SHOULDER_1_4-20_ TRILOB
12	590 77 47-01	LEVER HYDRO CABLE			
13	589 75 41-01	BRACKET HYDRO LEVER	37	532 42 81-24	FIR TREE
14	589 75 40-01	BRACKET DEFLECTOR LEVER	38	532 17 01-65	BOLT SHOULDER_5-16_18_ THD_FORM
15	589 75 44-01	LEVER HYDRO DEFLECTOR			
16	589 79 61-01	BUTTON BOLT CARRIER	39	501 40 66-01	SCREW
17	589 79 62-01	PAD FRICTION	40	585 80 50-01	SWITCH HEATED GRIP BLACK
18	589 79 63-01	KNOB DEFLECTOR			
19	589 79 64-01	KNOB HYDRO	41	596 51 55-01	HOUR METER
20	589 80 05-01	SPRING HYDRO	42	591 06 65-01	SWITCH - 3 POSITION ROTARY
21	596 91 84-01	SPRING DEFLECTOR			
22	593 07 51-01	SPRING ROTATOR	43	594 72 18-01	IGNITION SWITCH - 3 POSITION
23	597 36 74-01	WASHER .406 ID 1.00 OD X .109 THK	44	597 42 57-01	1/4 LOCK WASHER
24	532 41 76-93	1/4-20 CLIP ON NUT	45	589 62 68-03	CONSOLE SIDE LHS GREY
25	590 79 17-01	PIN CLEVIS .375 X 1.25	46	597 48 92-02	CHUTE DEFLECTOR SUPPORT BRACE
26	532 42 33-03	SPRING HAIRPIN			

NOTE: All component dimensions given in U.S. inches. 1 inch = 25.4 mm
IMPORTANT: Use only Original Equipment Manufacturer (O.E.M.) replacement parts.
 Failure to do so could be hazardous, damage your snow thrower and void your warranty.

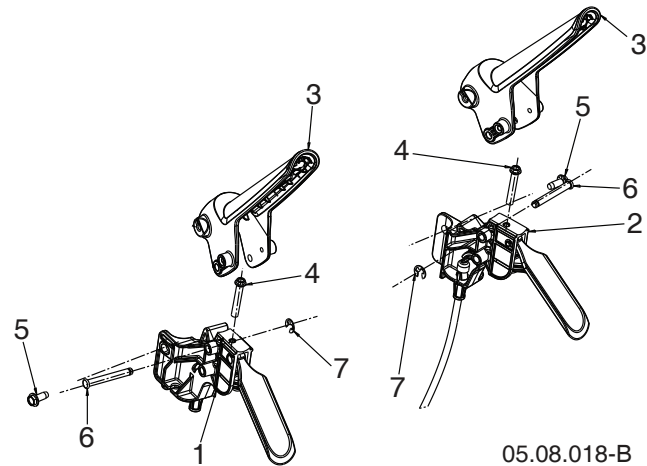
REPAIR PARTS

CONTROL PANEL / DISCHARGE CHUTE

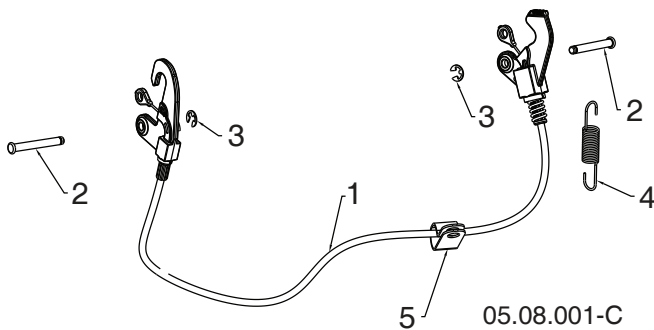
SNOW THROWER - MODEL NO. ST 427T (96193013301), PRODUCT NO. 961 93 01-33



KEY NO.	PART NO.	DESCRIPTION
1	532 42 11-38	SHIELD DEFLECTOR
2	532 43 58-31	STRAP
3	586 11 80-01	SCREW MACHINE 8-32 X .50 - BLK
4	586 11 81-01	NUT HEX NYLOCK 8-32 - BLK



KEY NO.	PART NO.	DESCRIPTION
1	589 28 95-03	CABLE, POWER STEER - LHS
2	589 28 95-04	CABLE, POWER STEER - RHS
3	589 80 38-01	LEVER, CONTROL
4	581 32 95-01	SCREW HI-LO 13-16 X 1.50
5	817 06 04-10	SCREW 1/4-20 X .625
6	532 43 17-62	PIN, GROOVED
7	812 00 00-14	E-RING



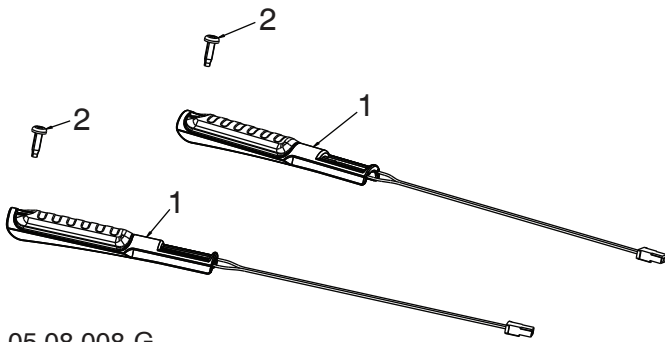
KEY NO.	PART NO.	DESCRIPTION
1	593 85 34-01	CABLE INTERLOCK
2	532 43 17-62	PIN GROOVED
3	812 00 00-14	E-RING
4	581 15 12-01	SPRING RETURN
5	532 19 79-91	CLIP CABLE BLACK

NOTE: All component dimensions given in U.S. inches. 1 inch = 25.4 mm
IMPORTANT: Use only Original Equipment Manufacturer (O.E.M.) replacement parts.
 Failure to do so could be hazardous, damage your snow thrower and void your warranty.

REPAIR PARTS

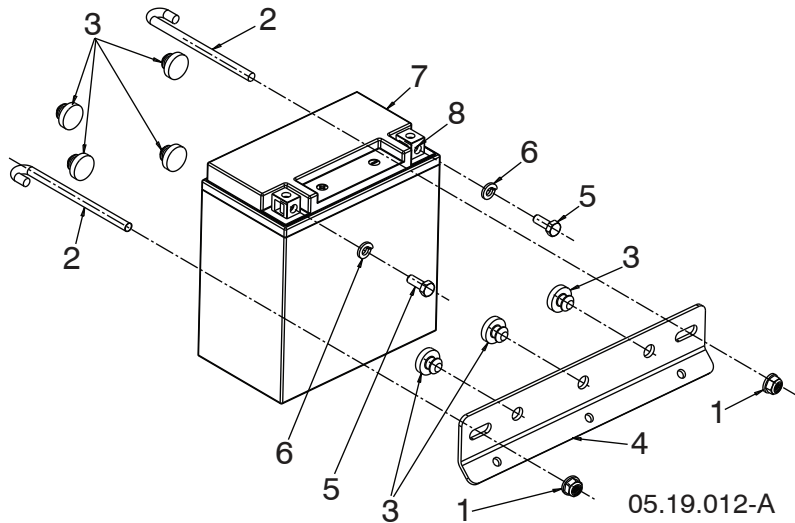
CONTROL PANEL / DISCHARGE CHUTE

SNOW THROWER - MODEL NO. ST 427T (96193013301), PRODUCT NO. 961 93 01-33



KEY NO.	PART NO.	DESCRIPTION
1	590 49 36-01	GRIP, HEATED, DSST SHO
2	532 44 22-50	SCREW PAN HD TORX 1/4-20 X .75

05.08.008-G



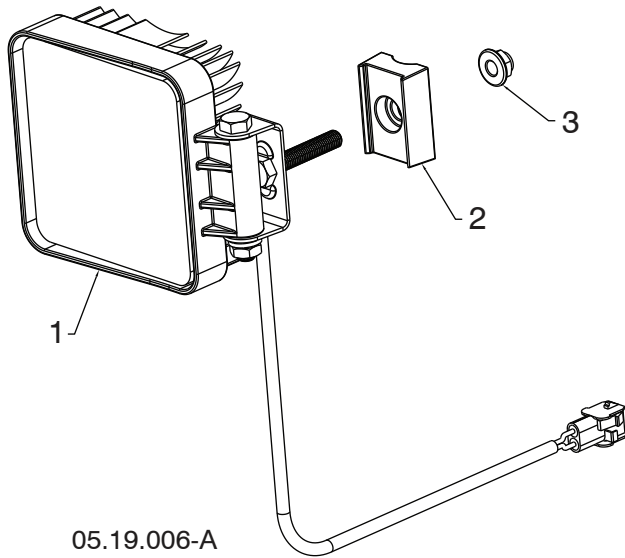
KEY NO.	PART NO.	DESCRIPTION
1	582 47 86-02	NUT - 1/4-20 FLANGE LOCKING
2	588 83 94-01	J-HOOK
3	585 98 93-01	BUMPER - RUBBER
4	590 94 29-02	BATTERY STRAP
5	532 43 80-39	SCREW M6X1 X 16L
6	596 02 98-01	LOCK WASHER - 1/4
7	532 43 71-57	BATTERY AGM 12V 230CCA
8	594 08 65-01	SQUARE NUT - M6X1

NOTE: All component dimensions given in U.S. inches. 1 inch = 25.4 mm
IMPORTANT: Use only Original Equipment Manufacturer (O.E.M.) replacement parts.
 Failure to do so could be hazardous, damage your snow thrower and void your warranty.

REPAIR PARTS

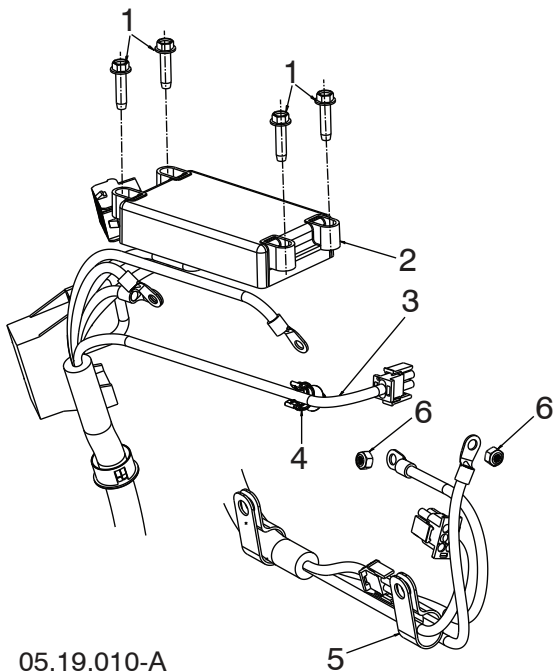
CONTROL PANEL / DISCHARGE CHUTE

SNOW THROWER - MODEL NO. ST 427T (96193013301), PRODUCT NO. 961 93 01-33



05.19.006-A

KEY NO.	PART NO.	DESCRIPTION
1	590 07 13-01	4.25 X 4.25 LIGHT
2	590 43 98-01	LIGHT MOUNTING BRACKET
3	532 42 79-42	HEX HD 5/16-18 FLANGE NYLOCK



05.19.010-A

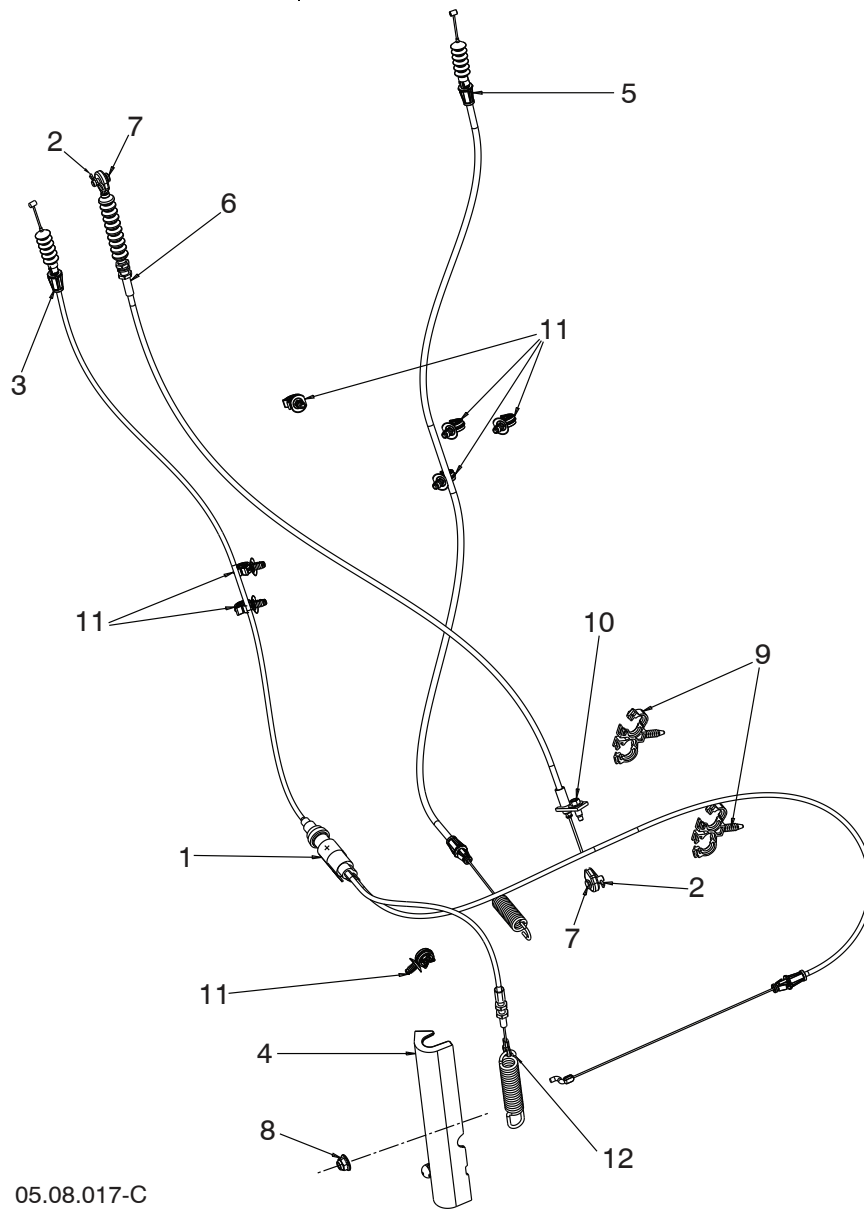
KEY NO.	PART NO.	DESCRIPTION
1	585 69 11-01	SCREW 1/4-20 X 1.0
2	593 08 46-03	ENGINE CONTROL UNIT - EFI 369cc
3	593 07 93-01	HARNESS - LOWER EFI
4	595 27 17-01	CLIP, CORRUGATED TUBE
5	532 19 79-91	P CLIP
6	597 43 41-01	M6 X 1.0 NYLOC NUT

NOTE: All component dimensions given in U.S. inches. 1 inch = 25.4 mm
IMPORTANT: Use only Original Equipment Manufacturer (O.E.M.) replacement parts. Failure to do so could be hazardous, damage your snow thrower and void your warranty.

REPAIR PARTS

CONTROL PANEL / DISCHARGE CHUTE

SNOW THROWER - MODEL NO. ST 427T (96193013301), PRODUCT NO. 961 93 01-33



05.08.017-C

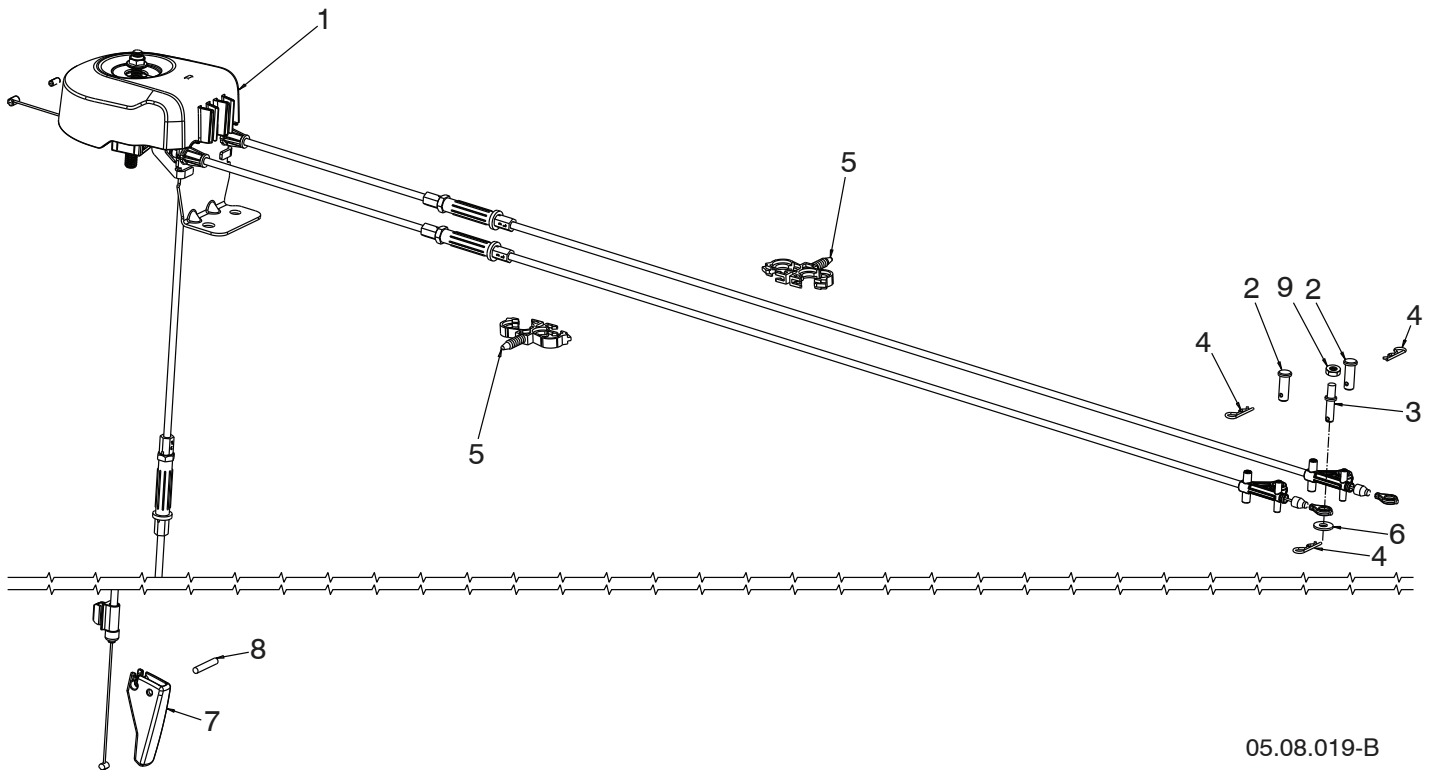
KEY NO.	PART NO.	DESCRIPTION	KEY NO.	PART NO.	DESCRIPTION
1	532 19 79-91	CLIP	8	532 42 79-42	NUT
2	532 42 33-03	HAIRPIN	9	584 65 22-01	CLIP, DUAL
3	579 76 36-01	CABLE - IMPELLER	10	585 51 78-01	SCREW - 1/4-20 x .65
4	589 26 52-01	COVER - CABLE	11	592 85 74-01	CLIP, CABLE
5	589 28 98-01	CABLE - HYDRO DRIVE	12	594 71 65-01	AUGER CABLE SPRING
6	590 02 66-01	CABLE - HYDRO SPEED			
7	590 80 09-01	PIN - CLEVIS			

NOTE: All component dimensions given in U.S. inches. 1 inch = 25.4 mm
IMPORTANT: Use only Original Equipment Manufacturer (O.E.M.) replacement parts.
 Failure to do so could be hazardous, damage your snow thrower and void your warranty.

REPAIR PARTS

CONTROL PANEL / DISCHARGE CHUTE

SNOW THROWER - MODEL NO. ST 427T (96193013301), PRODUCT NO. 961 93 01-33



05.08.019-B

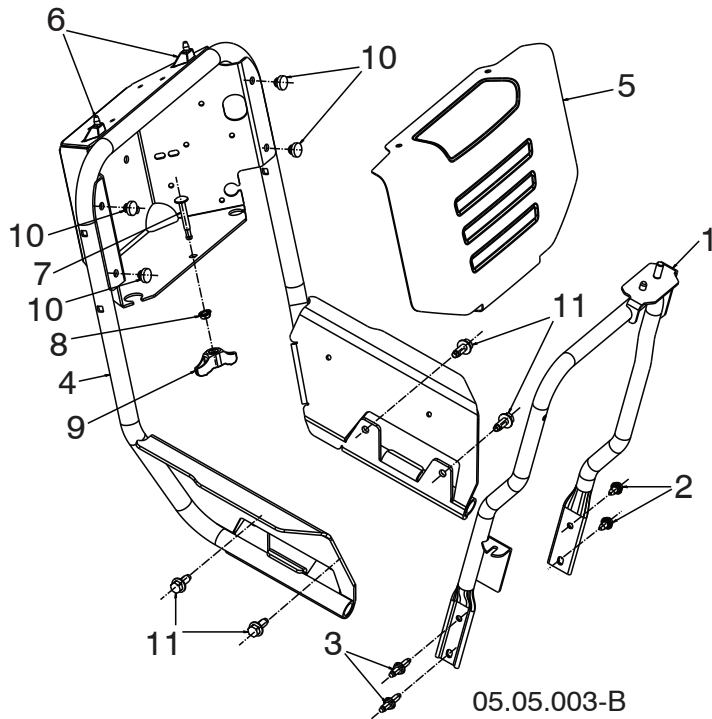
KEY NO.	PART NO.	DESCRIPTION
1	591 08 68-01	CABLE CHUTE ROTATOR ASM - LOCKING
2	581 32 94-01	PIN CLEVIS 5/16 X 7/8
3	596 71 72-01	PIN CLEVIS 1/4 X 3/4
4	532 42 33-03	HAIRPIN SOFT ZINC
5	584 65 22-01	CLIP CONDUIT DOUBLE
6	586 68 21-01	WASHER
7	589 79 60-01	ROTATOR LOCK LEVER
8	532 18 42-05	3/16 X 1.0 ROLL PIN
9	595 08 66-01	NUT 1/4-20 HEX NYLOC

NOTE: All component dimensions given in U.S. inches. 1 inch = 25.4 mm
IMPORTANT: Use only Original Equipment Manufacturer (O.E.M.) replacement parts. Failure to do so could be hazardous, damage your snow thrower and void your warranty.

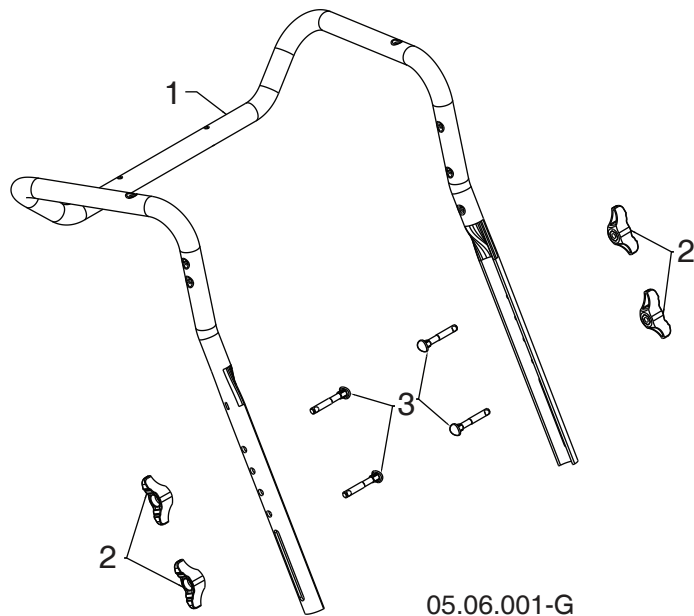
REPAIR PARTS

HANDLES

SNOW THROWER - MODEL NO. ST 427T (96193013301), PRODUCT NO. 961 93 01-33

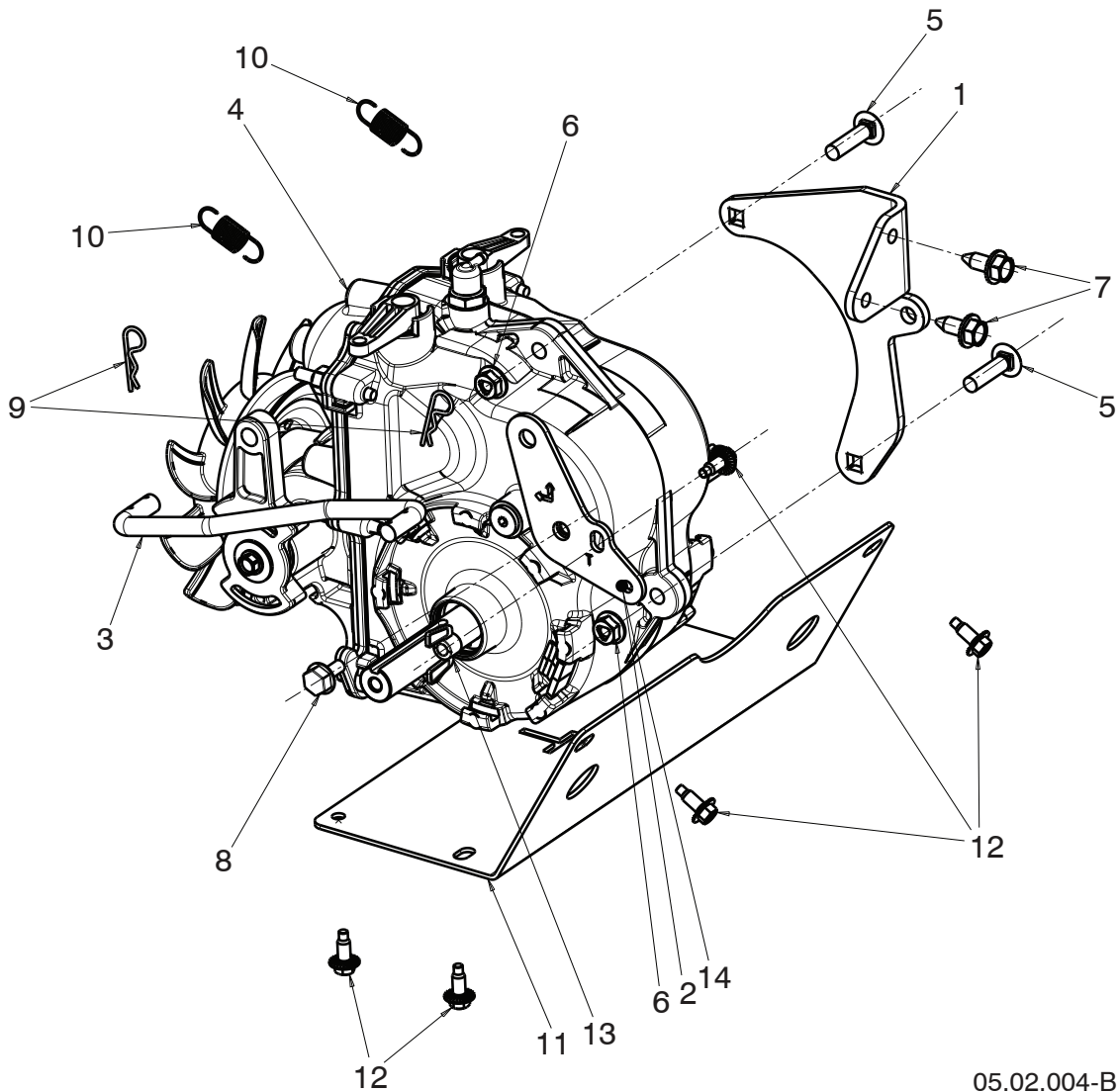


KEY NO.	PART NO.	DESCRIPTION
1	589 26 45-02	SUPPORT
2	817 00 05-10	BOLT 5/16-18 x .625
3	582 91 79-01	STUD - 5/16-18
4	589 87 57-02	HANDLE - LOWER
5	590 94 28-02	COVER - BATTERY
6	595 02 62-01	STUD - BATTERY COVER
7	501 06 71-01	CARRIAGE BOLT 5/16-18
8	532 15 53-77	NUT - 5/16-18
9	594 94 06-01	KNOB
10	585 98 93-01	BUMPER
11	595 51 79-01	SCREW - 3/8-16 MATHREAD



KEY NO.	PART NO.	DESCRIPTION
1	588 16 08-03	UPPER HANDLE
2	532 19 19-38	HANDLE KNOB STD BLACK
3	588 05 99-01	SCREW 5/16-18 X 2.25 CONCAVE HEAD WITH PATCH

NOTE: All component dimensions given in U.S. inches. 1 inch = 25.4 mm
IMPORTANT: Use only Original Equipment Manufacturer (O.E.M.) replacement parts.
 Failure to do so could be hazardous, damage your snow thrower and void your warranty.



05.02.004-B

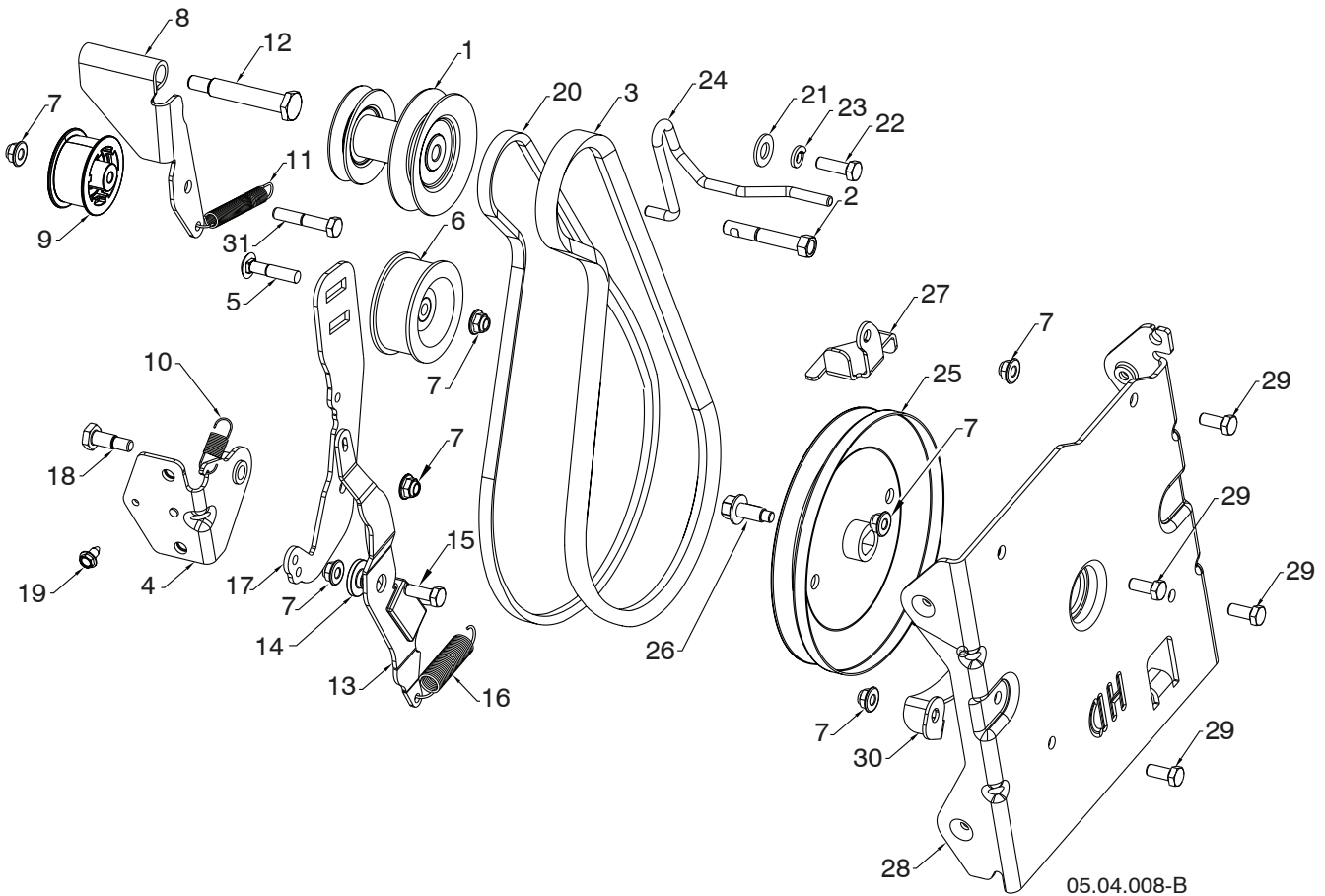
KEY NO.	PART NO.	DESCRIPTION	KEY NO.	PART NO.	DESCRIPTION
1	589 28 88-02	TRANSMISSION MOUNT	8	595 51 76-01	SHOULDER BOLT
2	589 28 90-02	SPEED BELCRANK	9	532 16 96-75	HAIR PIN
3	589 28 93-01	SPEED ROD	10	589 26 37-01	RETURN SPRING
4	589 28 87-01	TRANSMISSION	11	583 80 86-01	BELLY PAN TRACK
5	872 11 05-10	5/16-18 X 1.25 CARRIAGE BOLT	12	585 51 78-01	1/4-20 DOG POINT SCREW
6	532 75 11-53	5/16-18 FLANGE LOCK NUT	13	539 99 09-97	WINGNUT - 1/4-20 NYLOC
7	532 42 88-67	5/16-18 BOLT	14	532 05 38-47	THRUST WASHER

NOTE: All component dimensions given in U.S. inches. 1 inch = 25.4 mm
IMPORTANT: Use only Original Equipment Manufacturer (O.E.M.) replacement parts. Failure to do so could be hazardous, damage your snow thrower and void your warranty.

REPAIR PARTS

CHASSIS / ENGINE / PULLEYS

SNOW THROWER - MODEL NO. ST 427T (96193013301), PRODUCT NO. 961 93 01-33



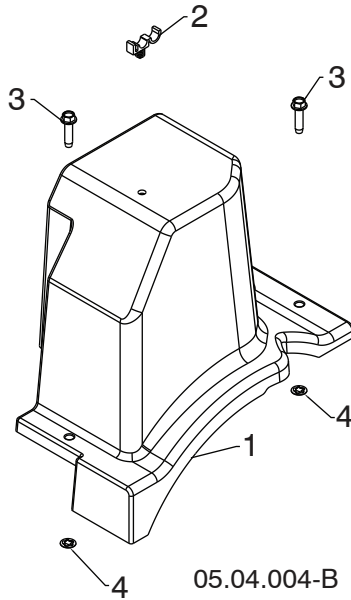
KEY NO.	PART NO.	DESCRIPTION	KEY NO.	PART NO.	DESCRIPTION
1	589 26 22-01	PULLEY ENGINE	17	589 26 29-02	ARM IDLER
2	582 38 84-01	BOLT	18	589 26 36-01	SCREW HEX HEAD SHOULDER
3	589 26 26-02	BELT 5L	19	817 06 04-08	SCREW
4	589 26 34-02	BRACKET WELDMENT IDLER ARM	20	582 64 07-02	BELT 3L
5	589 28 45-01	BOLT CARRIAGE 5/16-18	21	596 20 41-01	WASHER
6	589 26 27-02	PULLEY IDLER	22	874 61 05-12	SCREW
7	594 94 44-01	NUT	23	596 23 88-01	WASHER
8	593 19 25-02	ARM WELDMENT IDLER	24	597 20 76-01	GUIDE BELT 3L FRICTION 5L IMPELLER
9	581 14 14-02	PULLEY IDLER FLANGELESS 2.0	25	589 26 38-01	PULLEY IMPELLER DD 5L HD
10	589 26 37-01	SPRING IDLER RETURN	26	595 51 79-01	SCREW FLANGE HEAD CAP WITH DOG POINT 3/8-16
11	580 75 30-01	SPRING	27	589 26 25-05	GUIDE BELT 5L
12	581 41 38-01	BOLT	28	501 59 54-02	INTERFACE BRACKET
13	579 76 33-01	ARM IMPELLER BRAKE HD	29	596 03 05-01	SCREW
14	587 34 37-01	BUSHING	30	581 63 20-02	LOWER BELT KEEPER
15	596 32 22-01	BOLT	31	874 76 05-28	SCREW 5/16-18 X 1.75
16	579 76 35-01	SPRING EXTENSION BRAKE			

NOTE: All component dimensions given in U.S. inches. 1 inch = 25.4 mm
IMPORTANT: Use only Original Equipment Manufacturer (O.E.M.) replacement parts.
 Failure to do so could be hazardous, damage your snow thrower and void your warranty.

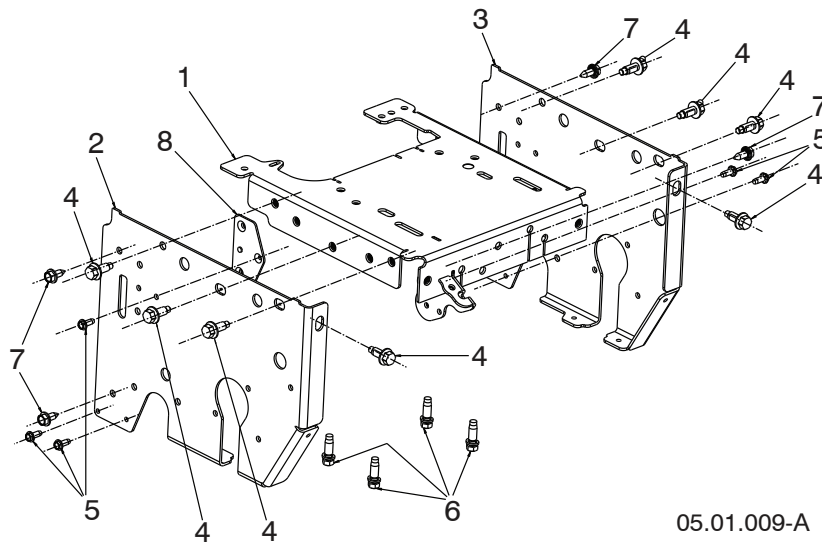
REPAIR PARTS

CHASSIS / ENGINE / PULLEYS

SNOW THROWER - MODEL NO. ST 427T (96193013301), PRODUCT NO. 961 93 01-33

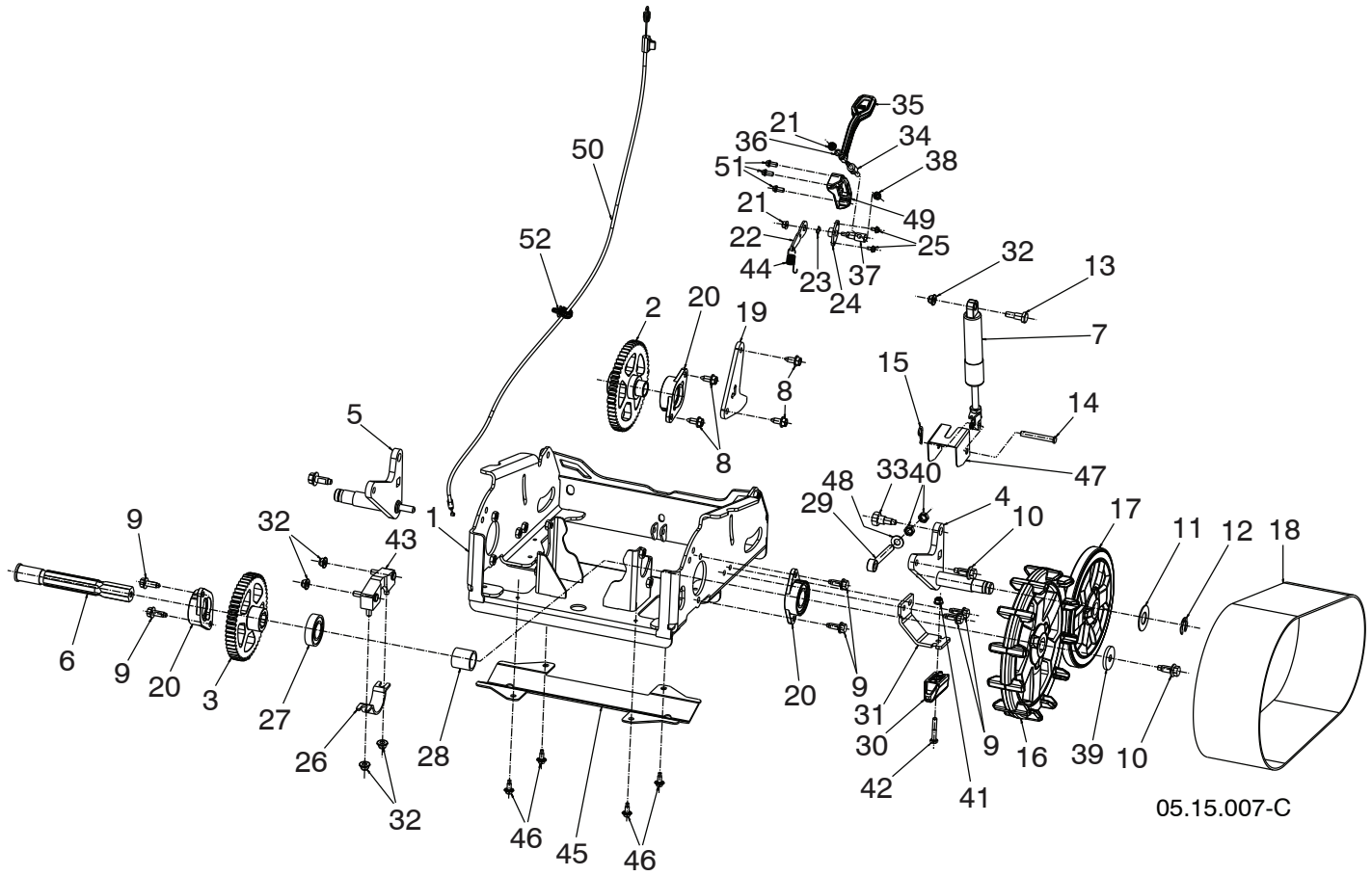


KEY NO.	PART NO.	DESCRIPTION
1	587 10 55-01	BELT COVER HI CRANK
2	532 14 50-06	CABLE GUIDE
3	-----	BOLT HEX WSH THDRL 1/4-20 X 1
4	-----	PALNUT 1/4 IN



KEY NO.	PART NO.	DESCRIPTION
1	583 80 80-02	FRAME TOP
2	583 80 84-03	FRAME SIDE LHS
3	583 80 84-04	FRAME SIDE RHS
4	595 51 79-01	SCREW 3/8-16 X .75 MATHREAD
5	817 06 04-10	SCREW 1/4-20 x .625
6	532 15 04-06	SCREW 3/8-16 x 1.28
7	532 42 88-67	SCREW 5/16-18 x .75
8	590 04 46-02	BRACKET NUT

NOTE: All component dimensions given in U.S. inches. 1 inch = 25.4 mm
IMPORTANT: Use only Original Equipment Manufacturer (O.E.M.) replacement parts.
 Failure to do so could be hazardous, damage your snow thrower and void your warranty.



05.15.007-C

NOTE: All component dimensions given in U.S. inches. 1 inch = 25.4 mm
IMPORTANT: Use only Original Equipment Manufacturer (O.E.M.) replacement parts.
Failure to do so could be hazardous, damage your snow thrower and void your warranty.

REPAIR PARTS

WHEELS

SNOW THROWER - MODEL NO. ST 427T (96193013301), PRODUCT NO. 961 93 01-33

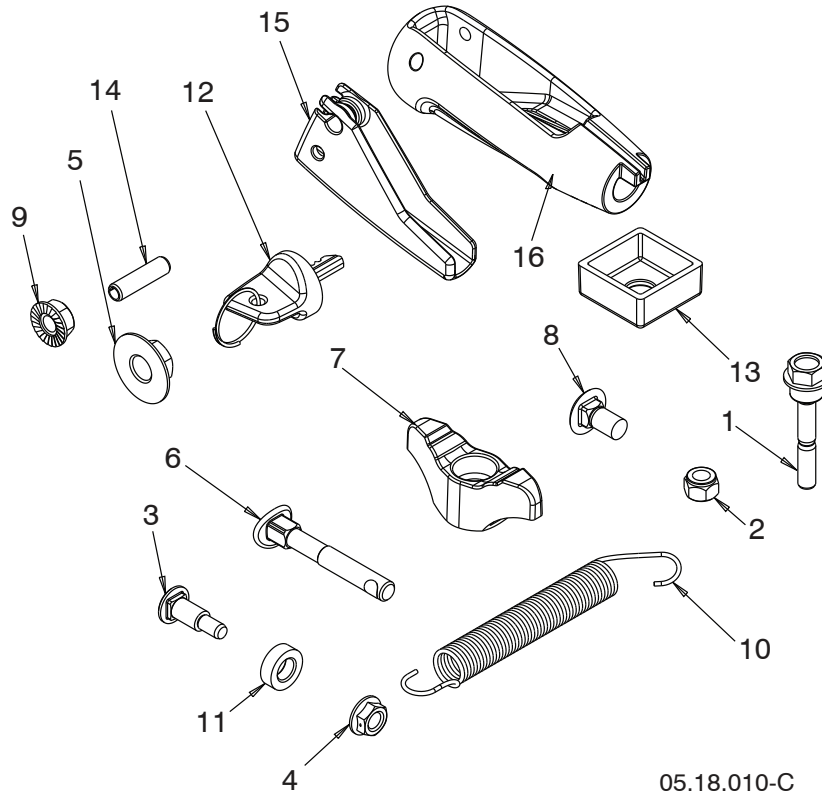
KEY NO.	PART NO.	DESCRIPTION	KEY NO.	PART NO.	DESCRIPTION
1	589 33 04-02	FRAME - TRACK	30	590 55 41-01	GUIDE - TRACK
2	593 09 21-01	GEAR - TRANSMISSION	31	590 55 42-02	BRACKET - TRACK GUIDE
3	589 33 18-01	GEAR - TRACK	32	594 94 44-01	NUT - 5/16-18 FLANGE NYLOC
4	589 33 24-01	ARM - ADJUSTMENT LHS	33	590 55 43-02	BOLT - SHOULDER .5"
5	589 33 24-02	ARM - ADJUSTMENT RHS	34	590 59 43-01	ROD - BUCKET HEIGHT CONTROL
6	589 45 95-01	AXLE - TRACK			
7	589 34 12-01	ACTUATOR - LOCKABLE GAS ASSIST	35	590 59 42-01	LEVER - BUCKET HEIGHT
8	532 42 88-67	SCREW - 5/16-18 X .75	36	590 59 45-01	WASHER - WAVE .269 ID
9	595 51 77-01	SCREW - 5/16-18 X .75 Mathread	37	590 59 44-01	AXLE - BUCKET HEIGHT CONTROL
10	595 51 79-01	SCREW - 3/8-16 X .75 Mathread	38	595 08 66-01	NUT - 1/4-20 NYLOC
11	532 18 89-67	WASHER - HARDENED	39	590 69 85-01	SPACER PLATE - 1.5 OD
12	812 00 00-29	KLIPRING	40	596 43 35-01	NUT 3/8-16 HEX JAM
13	589 35 36-01	BOLT - SHOULDER 10 MM	41	582 47 86-02	NUT - 1/4-20 FLANGE SIDE LOCK
14	589 35 38-01	PIN - 5/16			
15	532 12 47-88	RETAINER - HAIRPIN	42	874 78 04-24	SCREW - 1/4-20 X 1.5
16	590 55 44-01	SPROCKET - TRACK DRIVE	43	590 55 36-01	MOUNT - BEARING
17	589 36 78-01	WHEEL - TRACK IDLER	44	589 48 16-01	SPRING - EXTENSION
18	589 36 75-01	BELT - TRACK DRIVE	45	590 84 96-02	COVER - TRACK GEAR
19	589 79 32-02	BRACKET - LIFT STOP	46	585 51 78-01	SCREW - 1/4-20 X .65 DOG POINT
20	590 00 06-01	CARRIER - WITH BEARING			
21	589 92 70-01	NUT - 10-24 FLANGE NYLOC	47	590 84 84-02	COVER - GAS STRUT RELEASE HEAD
22	597 72 44-02	ARM - BUCKET HEIGHT ADJUSTER	48	596 56 53-01	WASHER - 3/8
23	589 74 65-01	WASHER - WAVE .393 ID	49	595 08 04-01	BRACKET - BUCKET HEIGHT LEVER
24	589 64 53-01	BUSHING - HEIGHT ADJUSTER			
25	532 70 02-16	SCREW - 10-24 X .375	50	589 74 59-01	CABLE ASSY - BUCKET HEIGHT ADJUST
26	590 55 37-01	MOUNT - BEARING STRAP			
27	590 55 38-01	BEARING R16-2RS	51	817 41 13-08	13-16 x .50 HI-LO SCREW
28	590 55 39-01	SPACER - TRACK AXLE	52	592 85 74-01	CLIP, CABLE
29	590 55 40-01	ROD END - 3/8			

NOTE: All component dimensions given in U.S. inches. 1 inch = 25.4 mm
IMPORTANT: Use only Original Equipment Manufacturer (O.E.M.) replacement parts. Failure to do so could be hazardous, damage your snow thrower and void your warranty.

REPAIR PARTS

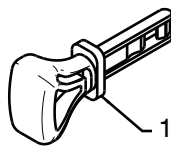
BAG OF PARTS

SNOW THROWER - MODEL NO. ST 427T (96193013301), PRODUCT NO. 961 93 01-33



05.18.010-C

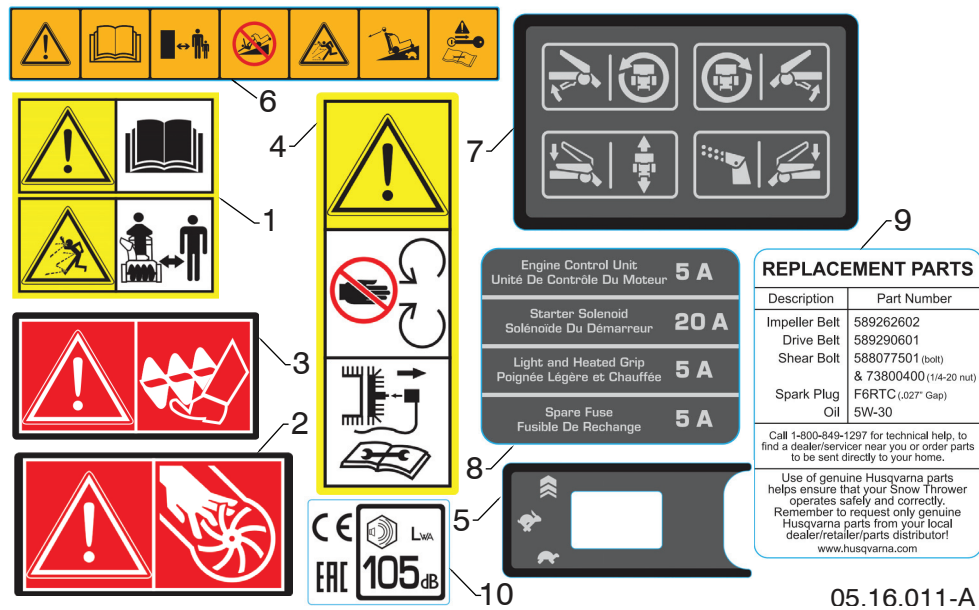
KEY NO.	PART NO.	DESCRIPTION	KEY NO.	PART NO.	DESCRIPTION
1	588 07 75-02	BOLT 1/4-20 X 1.81	11	501 41 74-01	WASHER NYLON
2	595 08 66-01	NUT NYLOCK 1/4-20	12	591 07 06-01	IGNITION KEY
3	501 41 73-01	BOLT SHOULDER	13	591 08 74-01	CHUTE RETAINER
4	585 69 14-01	NUT HEX FL 1/4-20 CTR	14	532 18 42-05	ROLL PIN
5	585 69 10-01	NUT NYLOCK 3/8-16	15	589 79 60-01	ROTATOR TRIGGER
6	588 05 99-01	BOLT 5/16-18 X 2.25 CONCAVE	16	589 80 11-01	KNOB CHUTE ROTATOR
7	532 19 19-38	KNOB 5/16-18 TWO-WING	NI	580 94 77-05	BAG PLASTIC 6.5X10.5 WARNING
8	585 83 20-01	BOLT 5/16-18 X .625	NI	581 03 01-36	LABEL, HARDWARE BAG
9	873 97 05-00	NUT SERR FL LOCK 5/16-18	NI	588 07 76-13	KIT REPLACEMENT BAG OF PARTS
10	532 18 45-05	SPRING DEFLECT CHUTE			



01.14.009-B

KEY NO.	PART NO.	DESCRIPTION
1	532 44 30-59	SAFETY IGNITION KEY KIT

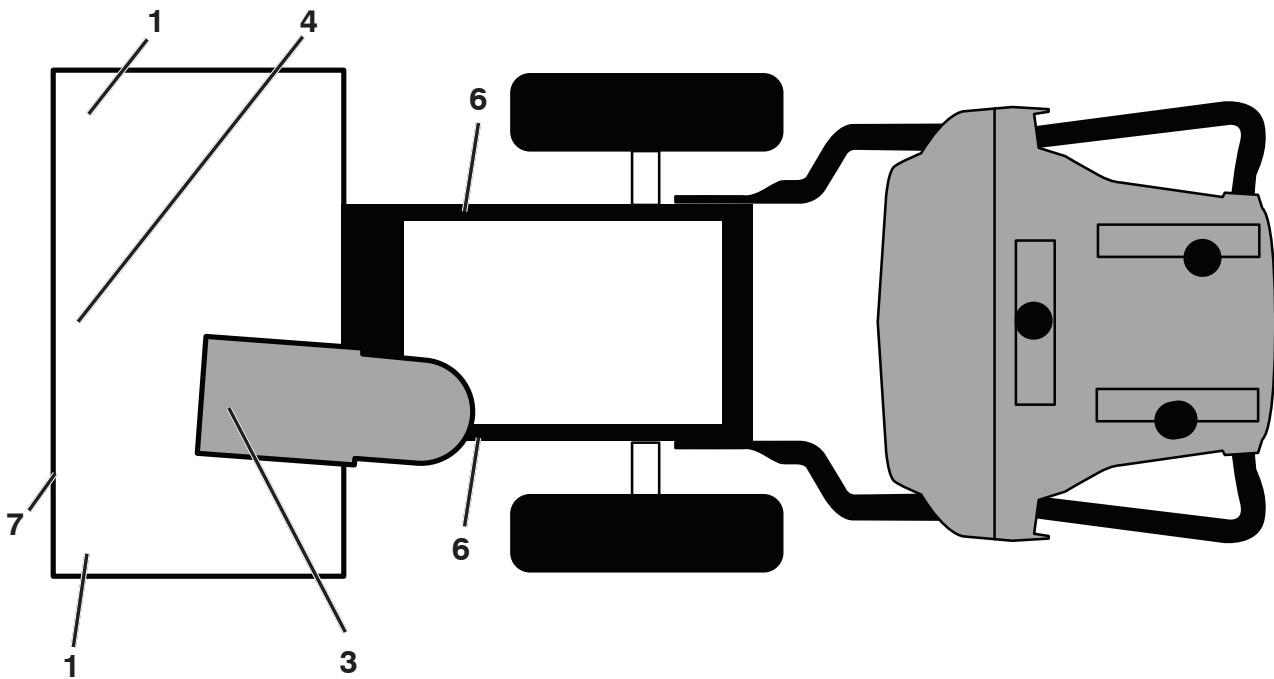
NOTE: All component dimensions given in U.S. inches. 1 inch = 25.4 mm
IMPORTANT: Use only Original Equipment Manufacturer (O.E.M.) replacement parts. Failure to do so could be hazardous, damage your snow thrower and void your warranty.



05.16.011-A

KEY NO.	PART NO.	DESCRIPTION
1	532 18 40-45	DECAL AUGER
2	590 81 22-01	DECAL CHUTE
3	532 19 96-83	DECAL AUGER SAFETY
4	532 18 40-28	DECAL BELT GUARD
5	593 09 25-01	DECAL THROTTLE
6	593 09 26-01	DECAL CONSOLE WARNING
7	593 09 27-01	DECAL CONSOLE INSTRUCTION
8	593 14 69-01	DECAL FUSE
9	593 14 70-01	DECAL REPLACEMENT PARTS
10	588 04 98-01	DECAL NOISE LEVEL

NOTE: All component dimensions given in U.S. inches. 1 inch = 25.4 mm
IMPORTANT: Use only Original Equipment Manufacturer (O.E.M.) replacement parts. Failure to do so could be hazardous, damage your snow thrower and void your warranty.



**KEY PART
NO. NO.**

DESCRIPTION

1	532 19 96-83	DECAL, DANGER
3	590 81 22-01	DECAL, DANGER, DEFLECTOR CHUTE
4	532 18 40-45	DECAL, DANGER
6	532 18 40-28	DECAL, BELT GUIDE
7	593 09 63-01	DECAL, AUGER FRONT
--	590 69 72-01	DECAL, ENGINE REWIND (NOT SHOWN)
--	532 42 86-77	"H" EMBLEM (NOT SHOWN)
--	114 07 23-49	OPERATOR'S MANUAL, ENGLISH, FRENCH, SPANISH

NOTE: All component dimensions given in U.S. inches. 1 inch = 25.4 mm

IMPORTANT: Use only Original Equipment Manufacturer (O.E.M.) replacement parts. Failure to do so could be hazardous, damage your snow thrower and void your warranty.

291/306/369/414/420cc EFI Snow Engines

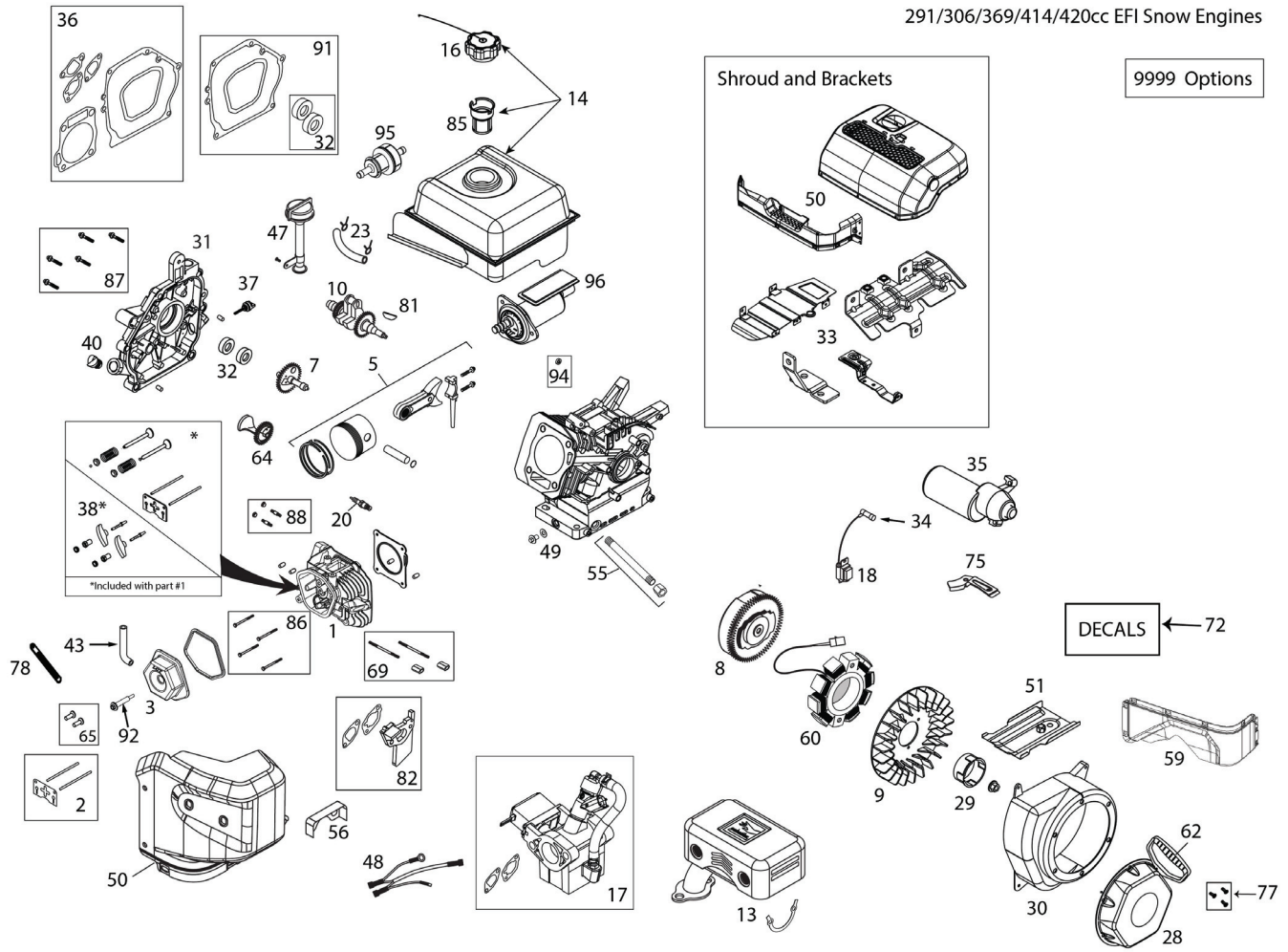


ILLUSTRATION FOR REFERENCE PURPOSES ONLY

ENGINE, LCT

COMPLETE ENGINE-592919401

KEY PART NO.	KEY PART NO.	DESCRIPTION	KEY PART NO.	KEY PART NO.	DESCRIPTION
1	587 17 68-01	CYLINDER HEAD	37	532 43 55-34	SMALL BLACK OIL DIPSTICK (PLASTIC)
2	532 42 96-06	PUSH ROD & PLATE KIT (W/ COVER GSKT)	38	532 42 96-12	ROCKER ARM KIT (W/ GASKET)
3	532 42 93-03	VALVE COVER (W/ GASKET)	40	532 42 92-42	NON-REMOVABLE PLASTIC PLUG
5	582 50 52-01	PISTON AND ROD ASSEMBLY	43	580 35 38-01	BREATHER TUBE
7	532 42 93-13	CAMSHAFT - MCR	49	532 43 54-94	OIL DRAIN PLUG W/WASHER
8	532 44 39-00	FLYWHEEL - ELEC START (5- MAGNETS)	50	597 35 93-01	TOP SHROUD
9	532 42 93-06	COOLING FAN - FLYWHEEL	50	597 35 94-01	THROTTLE BODY COVER
10	587 15 13-01	CRANKSHAFT #18 KEYED	51	532 42 92-31	SHIELD - CYLINDER
13	597 35 79-01	MUFFLER KIT	55	587 13 99-01	OIL DRAIN TUBE W/ CAP NUT
14	597 35 80-01	FUEL TANK ASSEMBLY (PUMP NOT INCLUDED)	56	597 35 99-01	THROTTLE BODY VAPOR SHIELD
16	597 35 81-01	FUEL CAP	59	597 36 01-01	RECOIL SHROUD
17	597 35 82-01	THROTTLE BODY ASSEMBLY	59	597 36 02-01	SHROUD - PTO SIDE
18	532 44 39-44	CDI IGNITION COIL	60	597 36 03-01	CHARGING COIL (75-WATT AC)
20	532 42 92-55	SPARK PLUG	62	532 42 49-68	STARTER GRIP-SNOW
23	597 35 83-01	FUEL HOSE KIT (QTY 3 W/ CLAMPS)	65	581 37 29-01	TAPPET KIT (SET OF 2)
28	582 62 15-01	RECOIL STARTER	69	586 32 67-01	THROTTLEBODYMTGSTUDKIT(2)
29	582 62 16-01	STARTER CUP	72	597 36 04-01	HOP LABEL KIT
30	597 35 86-01	BLOWER HOUSING	75	532 42 92-32	SHIELD - FLYWHEEL
31	597 35 87-01	CRANKCASE COVER (COMPLETE ASSEMBLY)	77	532 43 26-88	RECOIL BOLT KIT (3 BOLTS PER KIT)
32	532 42 93-16	OIL SEAL KIT	78	585 77 13-01	BREATHER TUBE RETAINING STRAP
33	597 35 88-01	DIVIDER PLATE (BEWTEEN TANK AND MUFFLER)	81	585 29 72-01	WOODRUFF FLYWHEEL KEYS
33	597 35 89-01	BRACKET - TOP SHROUD SUPPORT	82	585 02 05-01	THROTTLE BODY SPACER KIT
33	597 35 90-01	BRACKET - SHROUD MOUNTING (STARTER SIDE)	85	586 32 56-01	FUEL TANK STRAINER
33	597 35 91-01	BRACKET - SHROUD SUPPORT (THROTTLE BODY SIDE)	86	586 32 74-01	CYLINDER HEAD BOLT KIT (4)
34	532 43 69-66	SPARK PLUG BOOT - WITH METAL SHIELD	87	586 32 70-01	CC COVER BOLT KIT (7)
35	597 35 92-01	12V ELECTRIC STARTER	91	587 99 41-04	CRANKSHAFT GASKET KIT
36	587 17 94-01	ENGINE GASKET KIT	92	587 99 52-01	VALVE COVER BOLT W/ SEAL
			95	597 36 06-01	FUEL FILTER (EFI)
			96	597 36 07-01	FUEL PUMP (EFI) W/SCREWS
			9999	593 08 46-03	ECU

