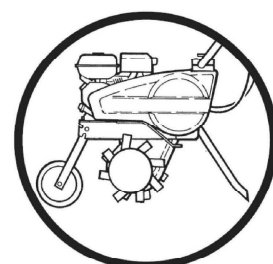


EN Operating manual
DE Benutzerhandbuch
FR Manuel d'utilisation


ES Manual de uso
IT Istruzioni per l'uso
NL Gebruikshandleiding



TF 225


User manual *(Translation of the original manual)*

MOTOR HOE

 Read the instructions in the user manual.
Become familiar with the operation and controls of the machine.


Benutzerhandbuch *(Übersetzung der Originalbetriebsanleitung)*

MOTORHACKE

 Die Anweisungen im Benutzerhandbuch durchlesen.
Sich mit den Funktionen und Bedienelementen der Maschine vertraut machen.


Manuel d'utilisation *(Notice originale)*

MOTOBINEUSE

 Lire les instructions du manuel utilisateur.
Se familiariser avec le fonctionnement et les commandes de la machine.


Manual de uso *(Traducción del manual original)*

MOTAZADA

 Leer las instrucciones del manual del usuario.
Familiarizarse con el funcionamiento y los mandos de la máquina.


Manuale di istruzioni *(Traduzione delle istruzioni originali)*

MOTAZAPPA

 Leggere le istruzioni contenute nel manuale per l'utente.
Informarsi sul funzionamento e sui comandi della macchina.

Gebruikshandleiding *(Vertaling van de originele handleiding)*

MOTORHAKFREES

 Lees de instructies van de gebruikershandleiding.
Maak u vertrouwd met de werking en de bedieningselementen van de machine.

EN

DE

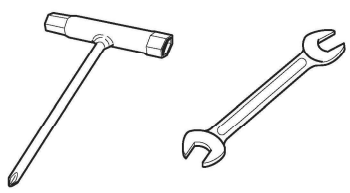
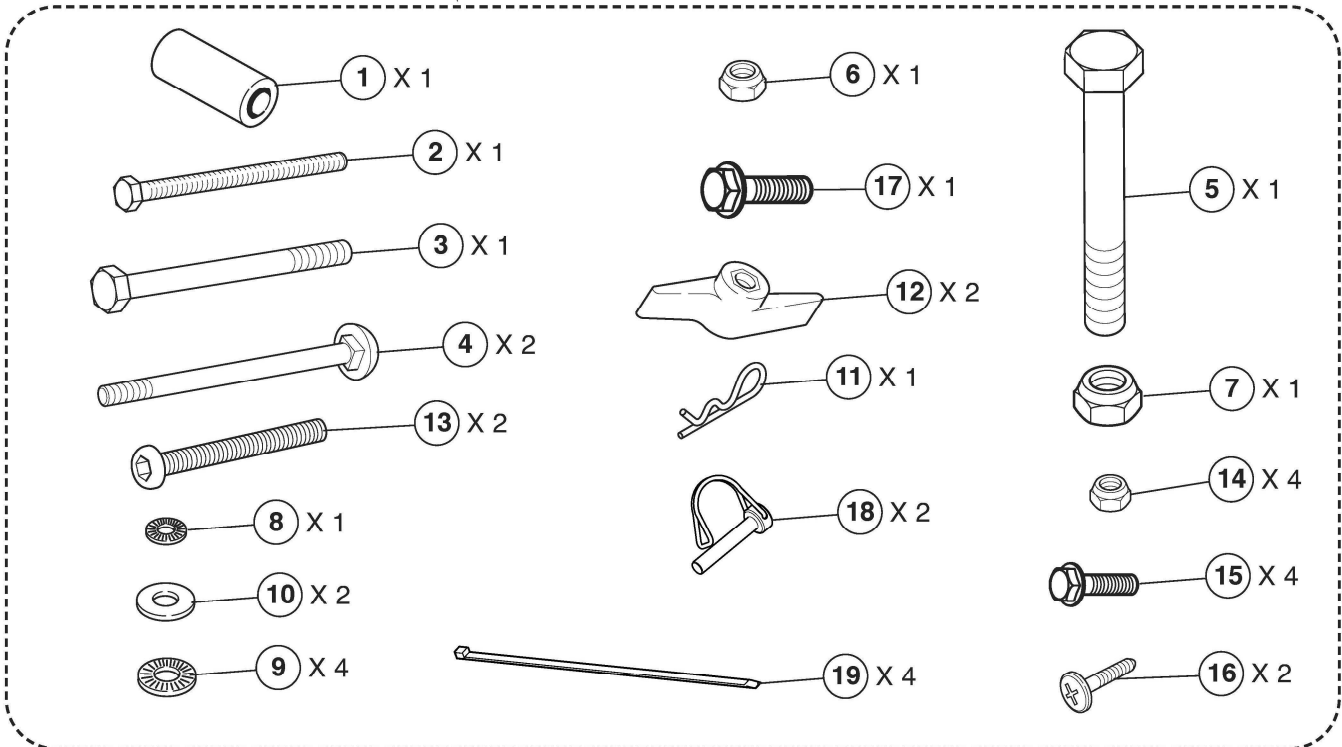
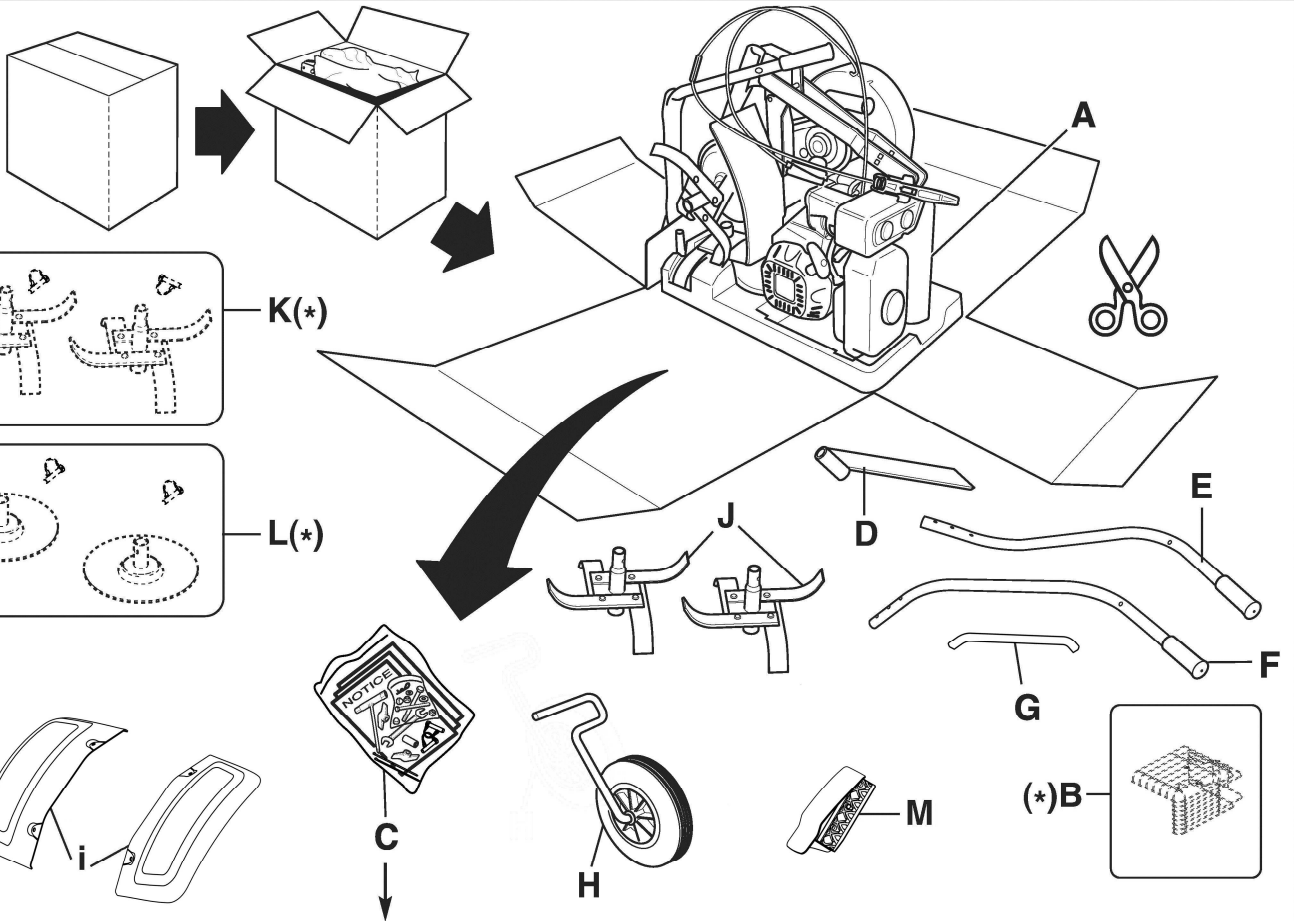
FR

ES

IT

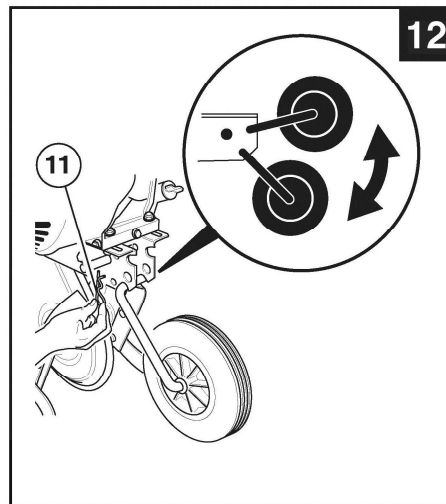
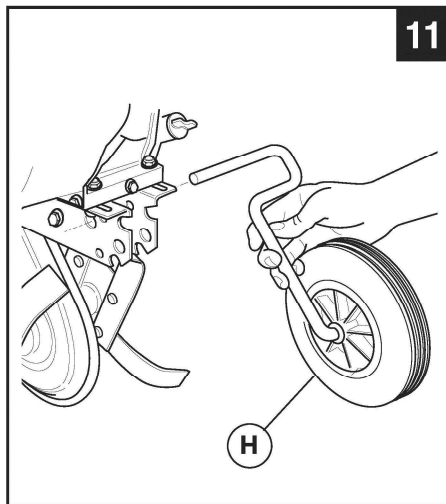
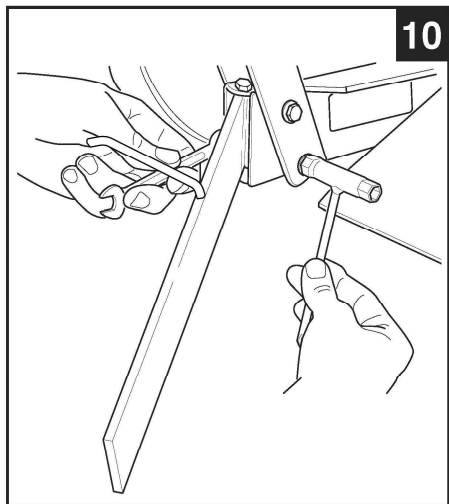
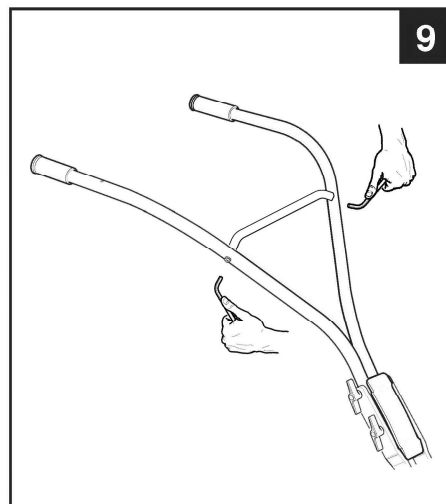
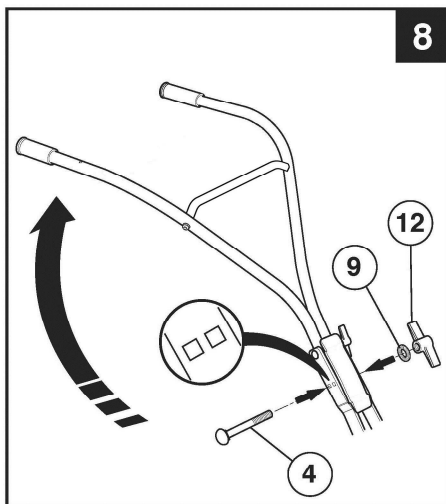
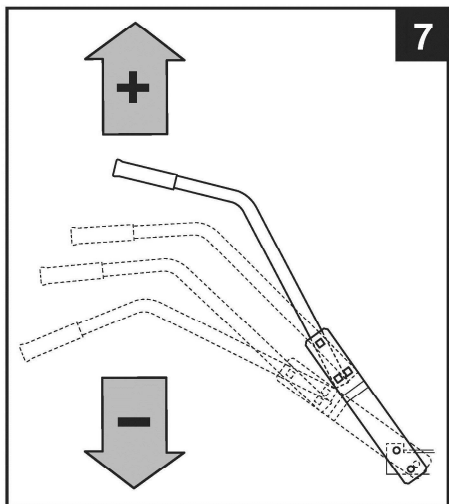
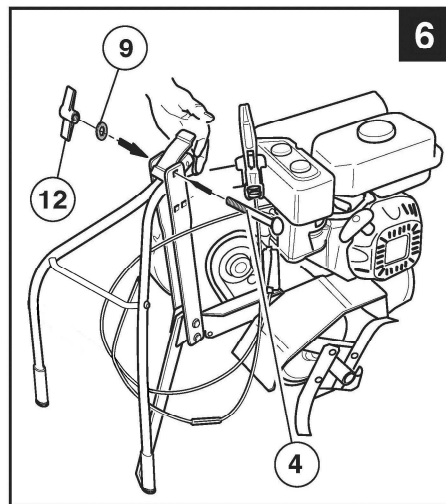
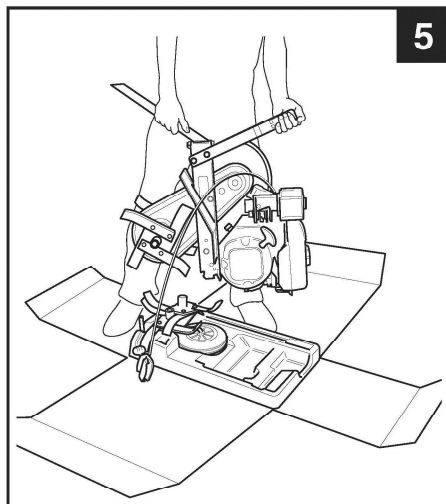
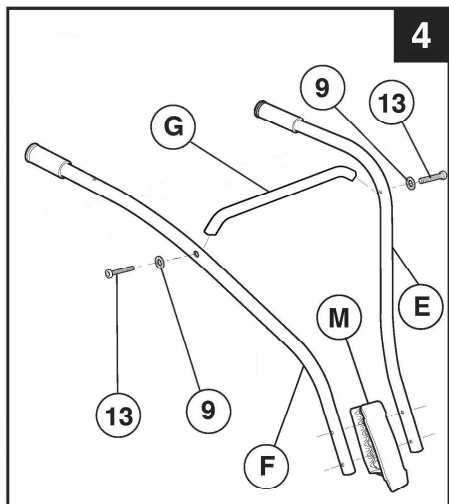
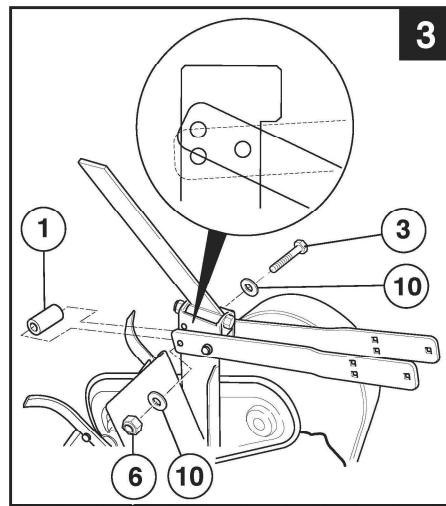
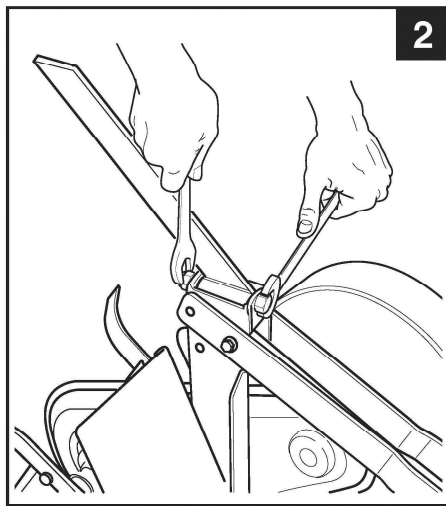
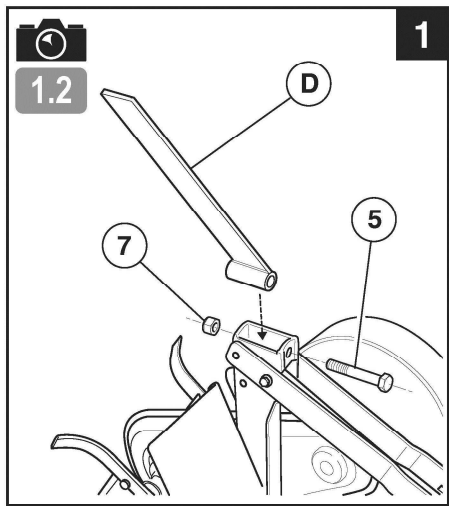
NL

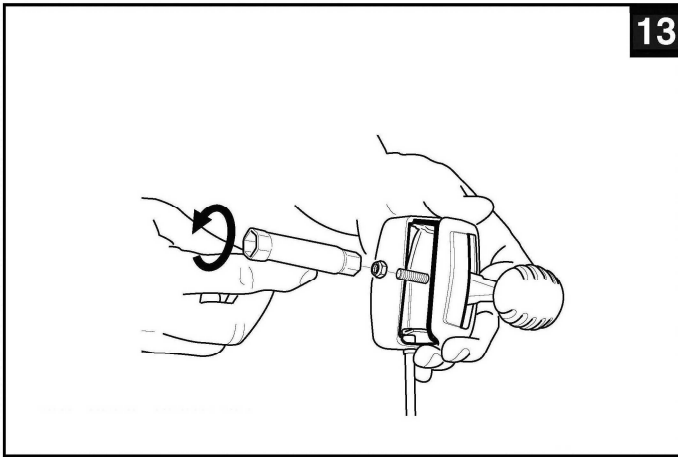
1.1



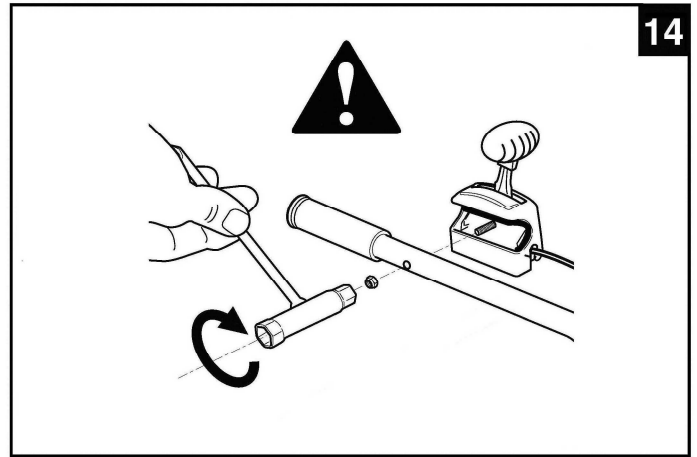
→ 10 - 13 - 23

(*) : FR : (suivant version) - EN : (depending on the version) - DE : (je nach Ausführungsvariante) - BG : (според варианта)
 HR : (ovisno o verziji) - DA : (Afhængigt af version) - ES : (Según versión) - ET : (järgmine versioon) - FI : (mallista riippuen)
 EL : (ανάλογα με το μοντέλο) - HU : (verziótól függően) - IT : (A seconda del modello) - LV : (atkarībā no versijas)
 LT : (priklausomai nuo versijos) - NL : (Naar gelang model) - NO : (Avhengig av versjon) - PL : (Zależnie od wersji)
 PT : (Consoante versão) - RO : (În funcție de versiune) - TR : (versiyona göre) - SK : (v závislosti od verzie) - SL : (odvisno od verzije)
 SV : (beroende på version) - CZ : (v závislosti na provedení) - UK : (в залежності від версії) - RU : (В зависимости от модификации)

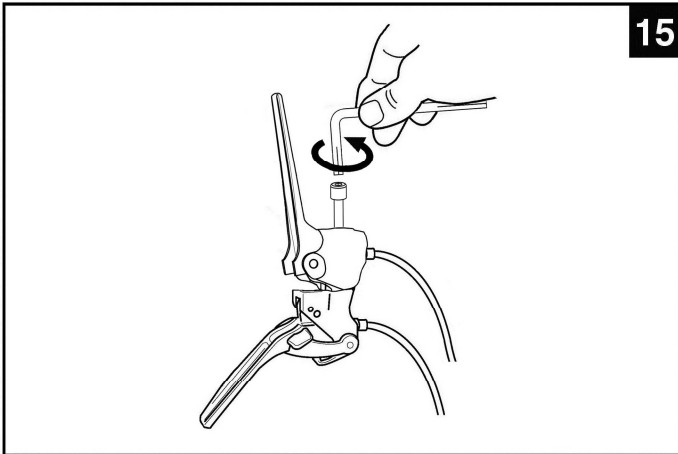




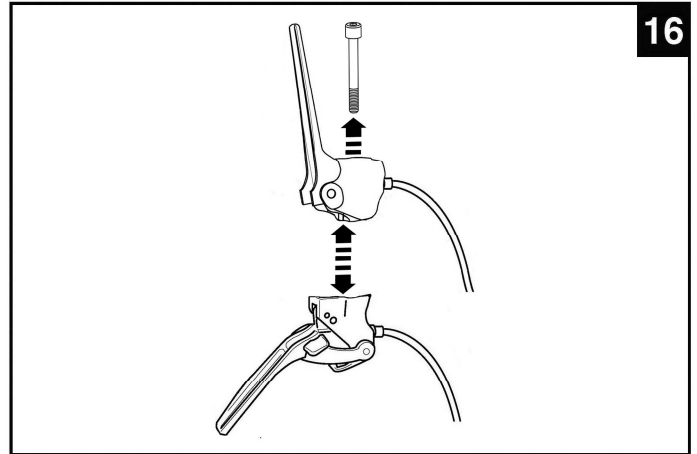
13



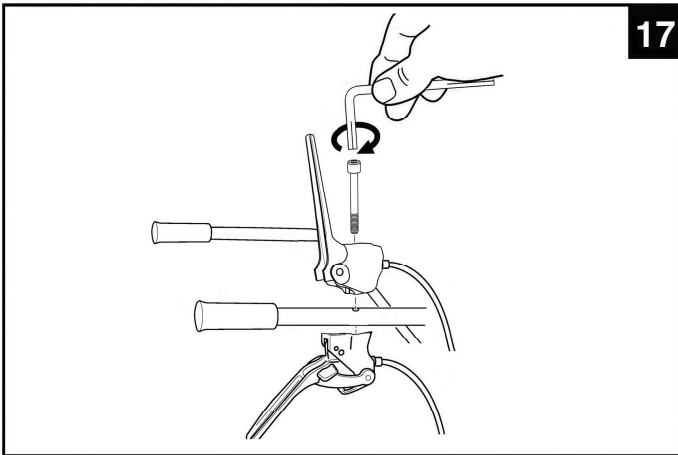
14



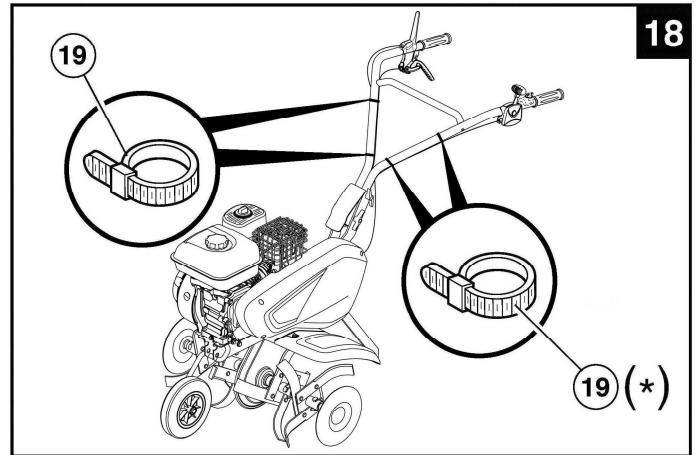
15



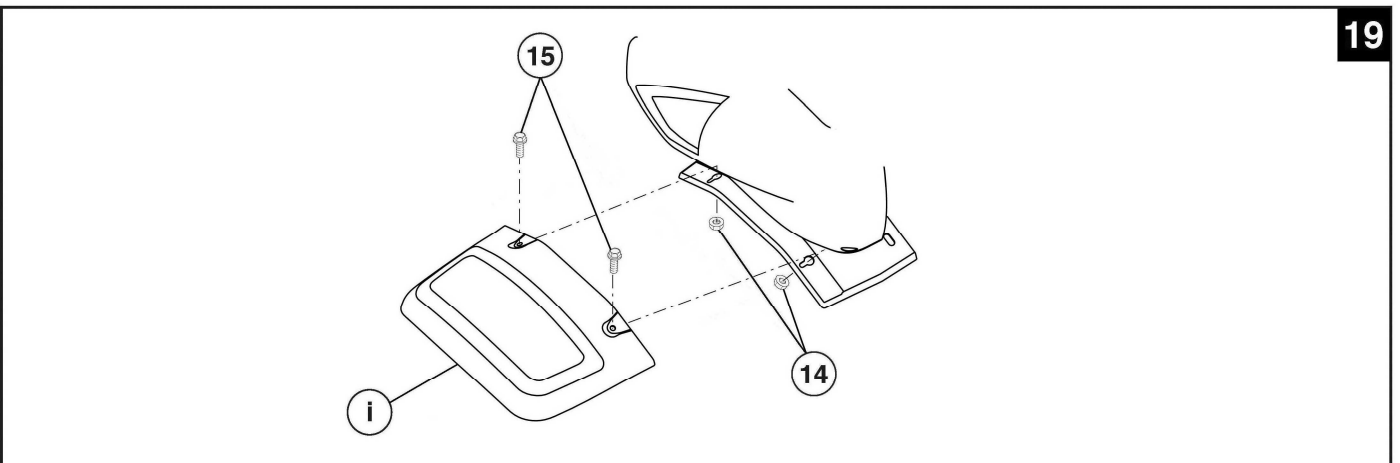
16



17



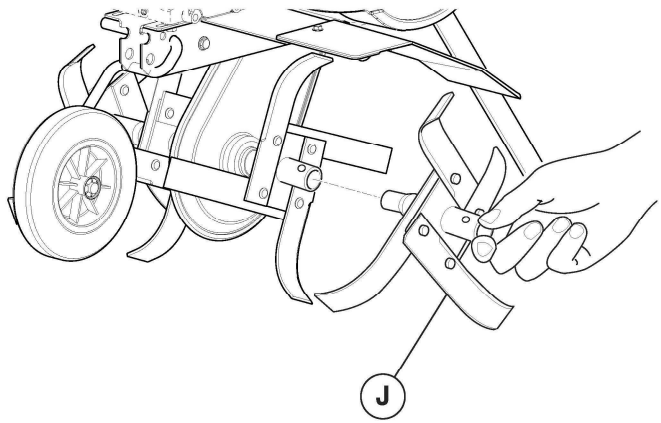
18



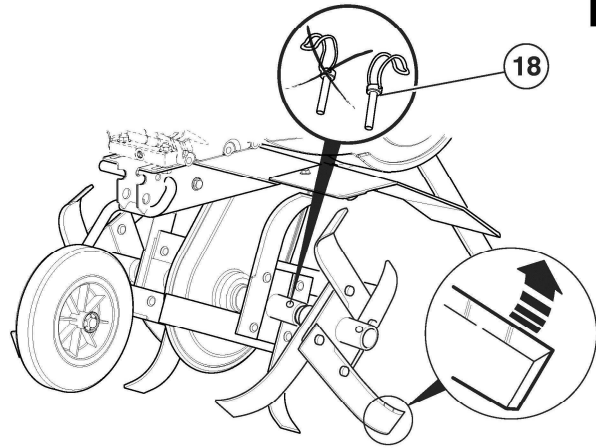
19

(*) : FR : (suivant version) - EN : (depending on the version) - DE : (je nach Ausführungsvariante) - BG : (според варианта)
 HR : (ovisno o verziji) - DA : (Afhængigt af version) - ES : (Según versión) - ET : (järgmine versioon) - FI : (mallista riippuen)
 EL : (ανάλογα με το μοντέλο) - HU : (verziótól függően) - IT : (A seconda del modello) - LV : (atkarībā no versijas)
 LT : (priklausomai nuo versijos) - NL : (Naar gelang model) - NO : (Avhengig av versjon) - PL : (Zależnie od wersji)
 PT : (Consoante versão) - RO : (În funcție de versiune) - TR : (versiyona göre) - SK : (v závislosti od verzie) - SL : (odvisno od verzije)
 SV : (beroende på version) - CZ : (v závislosti na provedení) - UK : (в залежності від версії) - RU : (В зависимости от модификации)

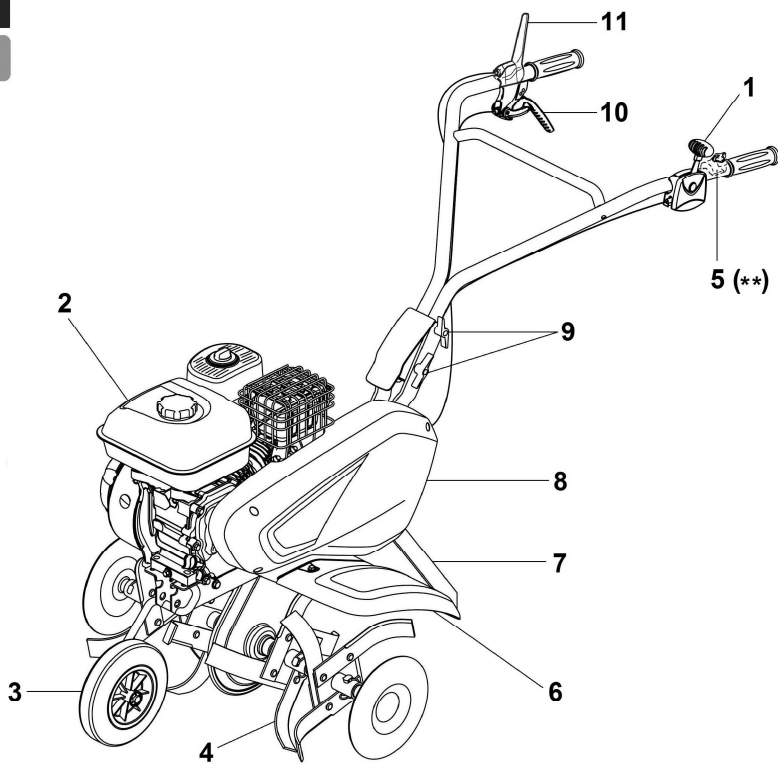
20



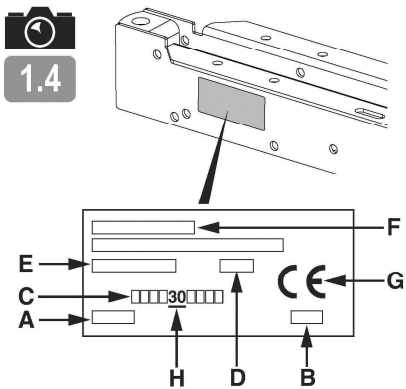
21



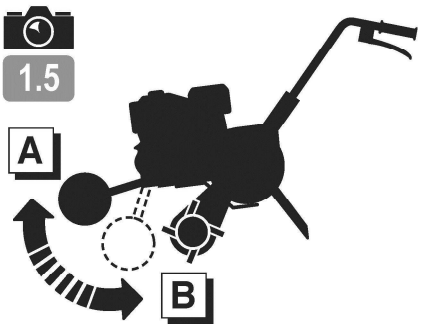
1.3



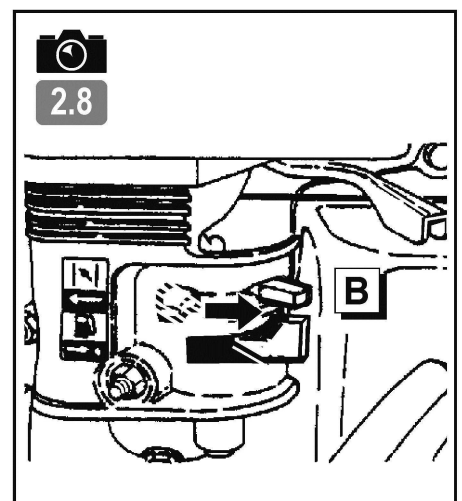
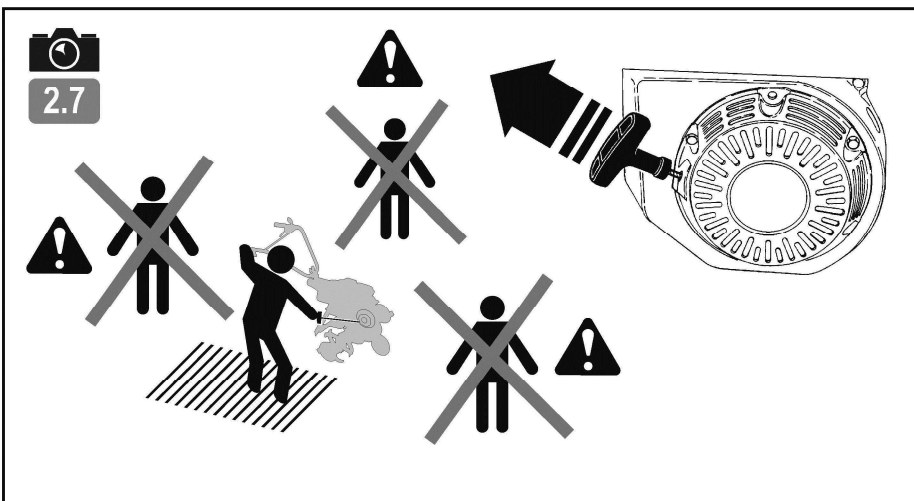
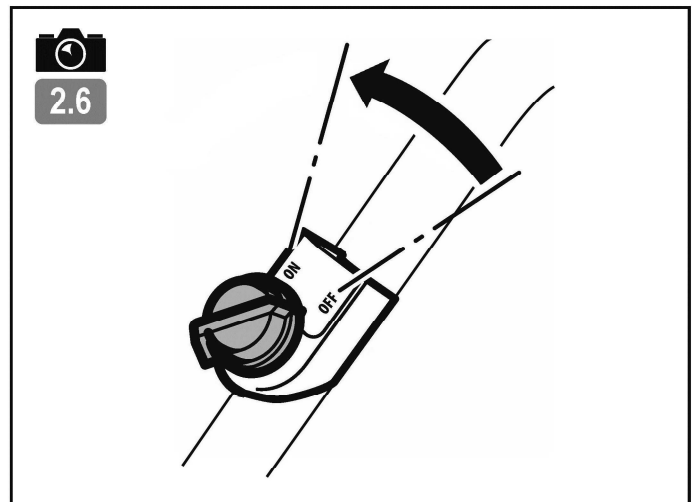
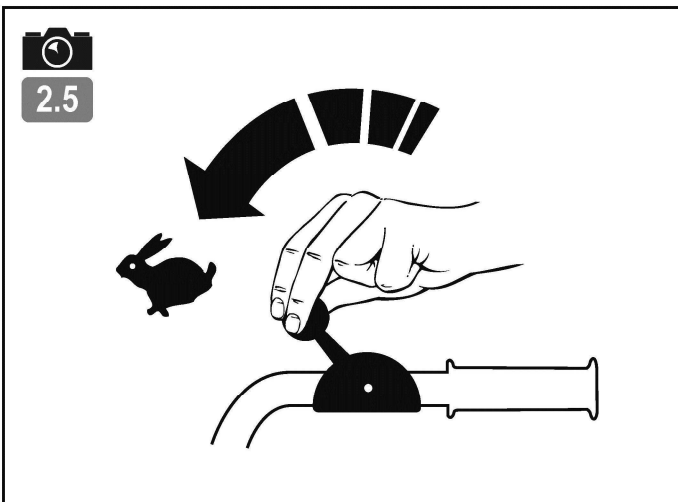
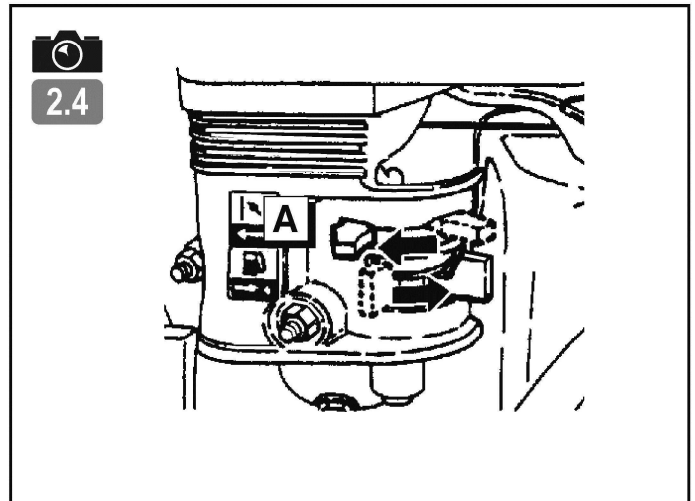
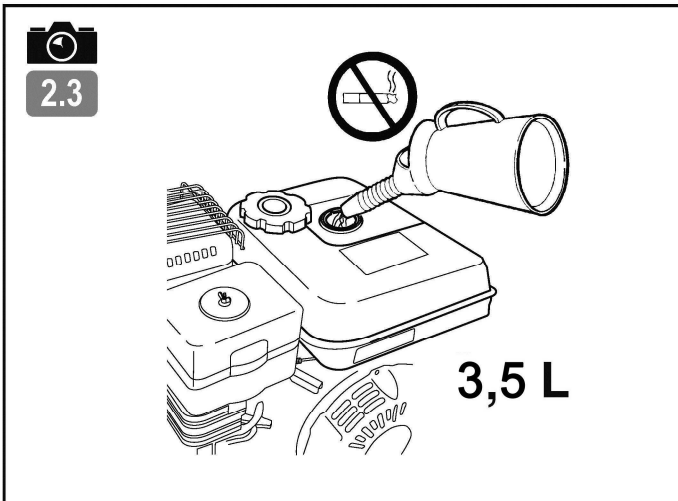
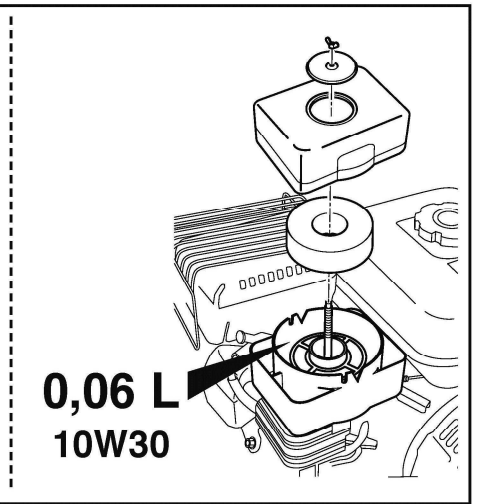
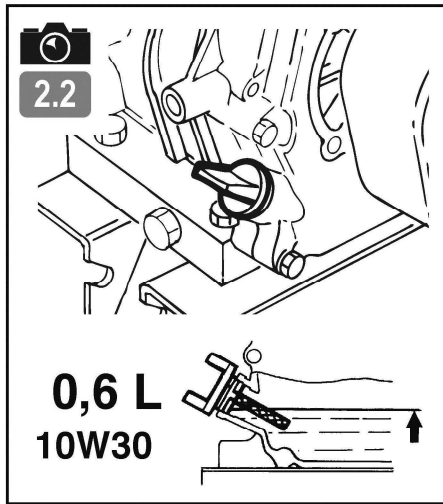
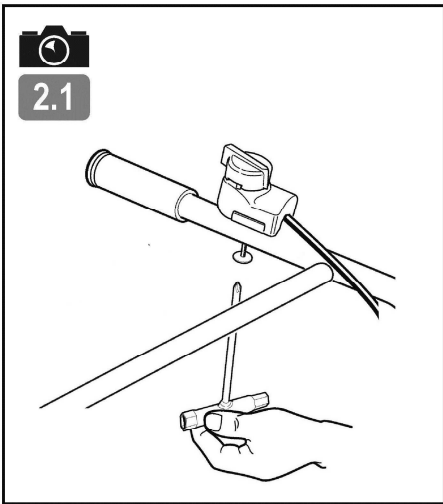
1.4

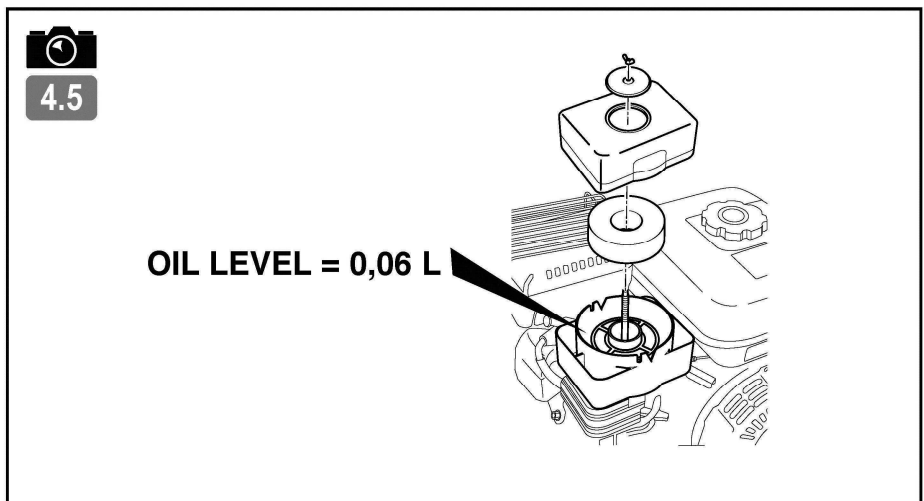
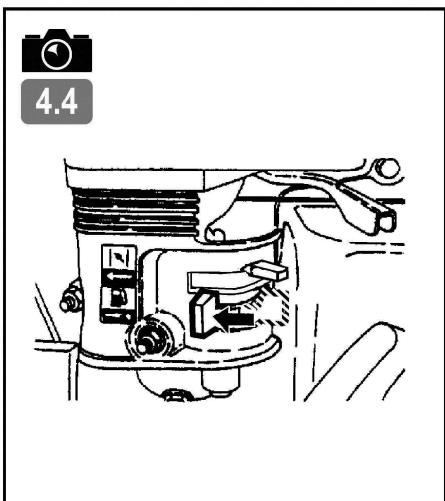
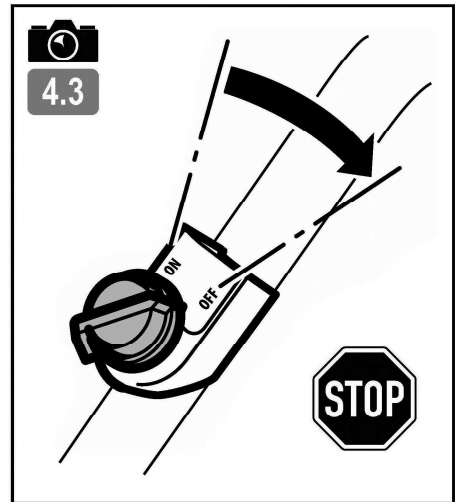
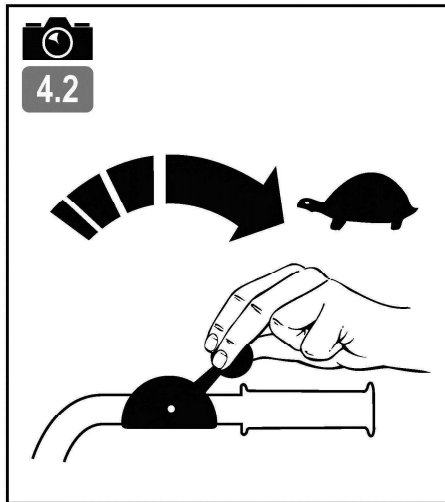
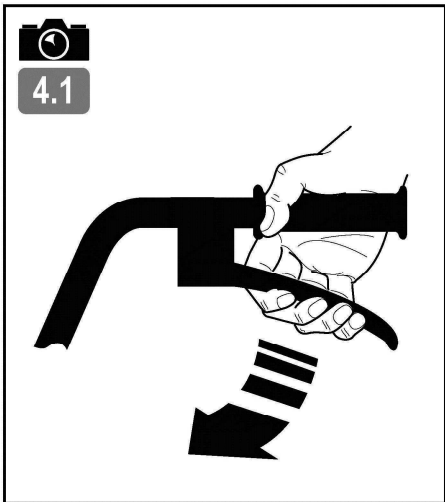
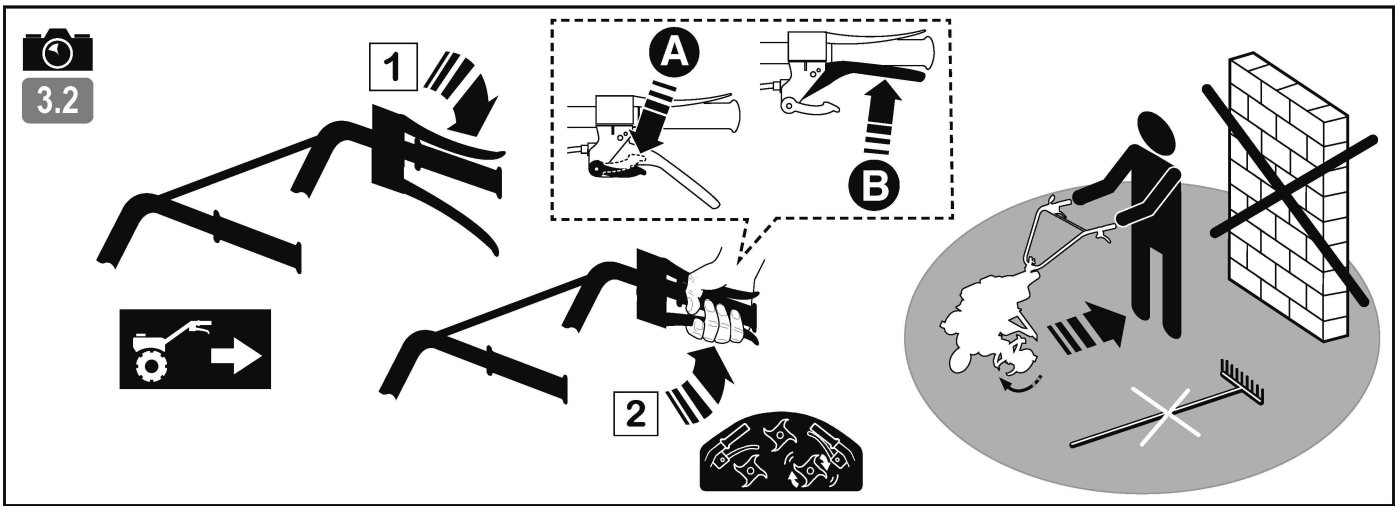
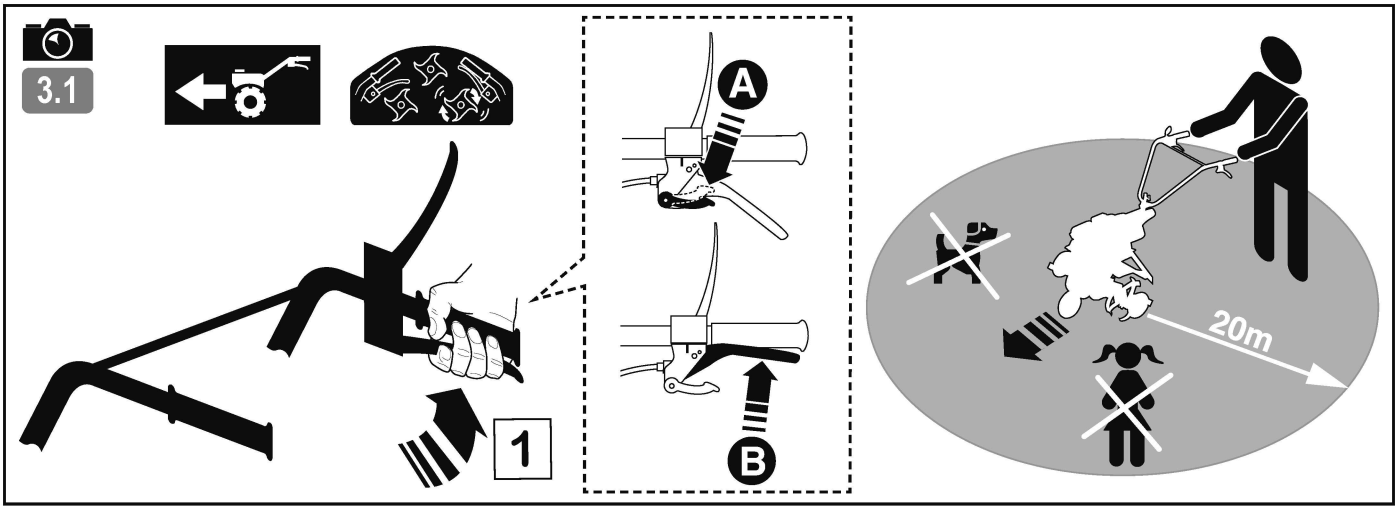


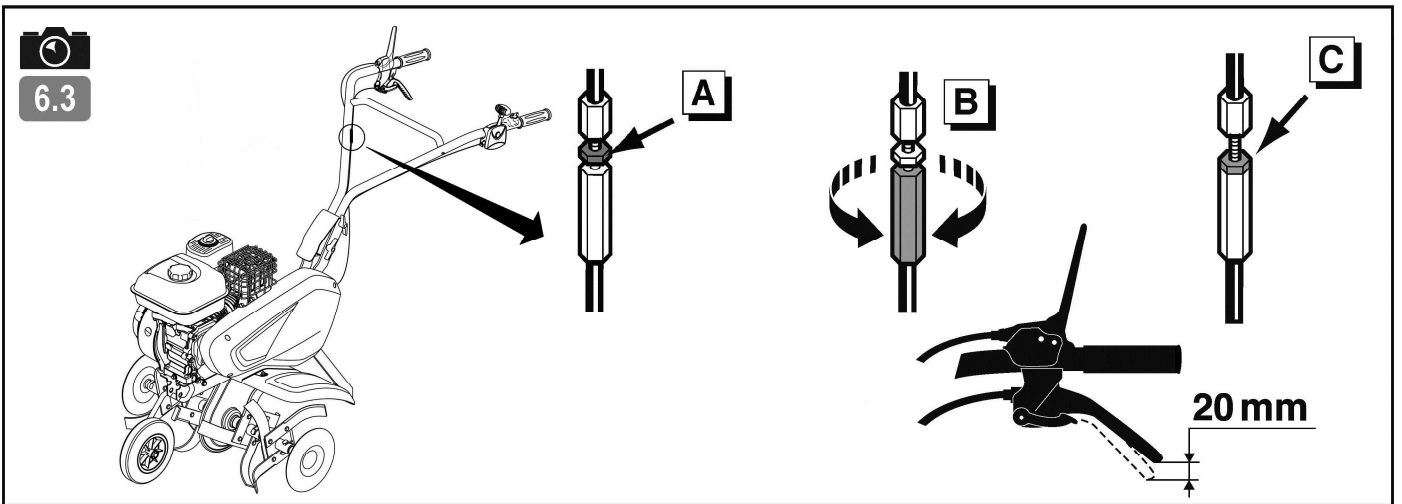
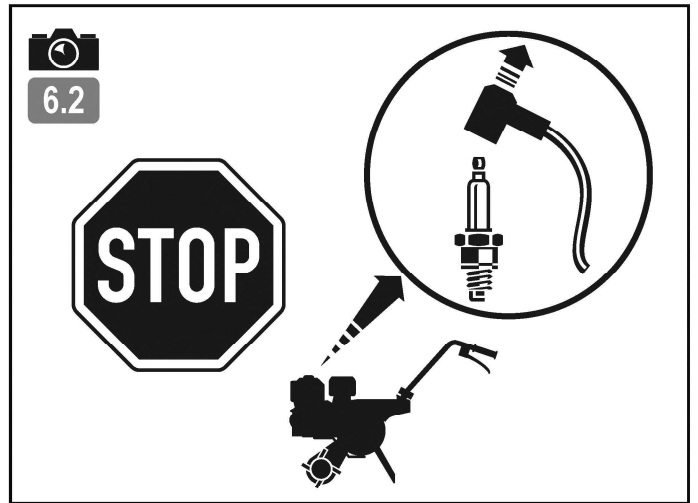
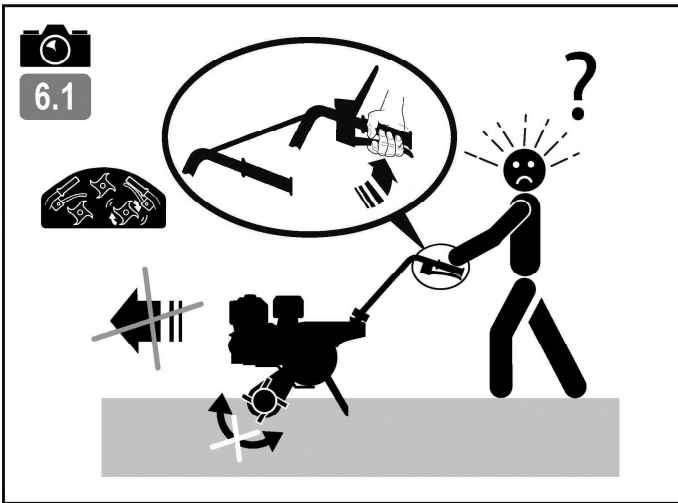
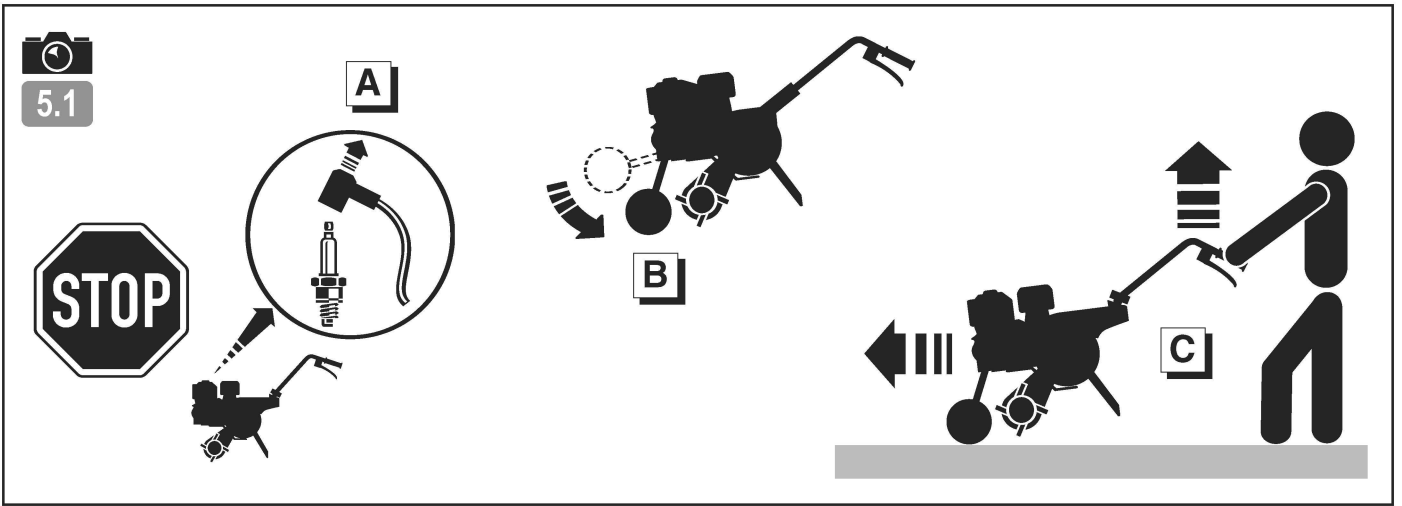
1.5

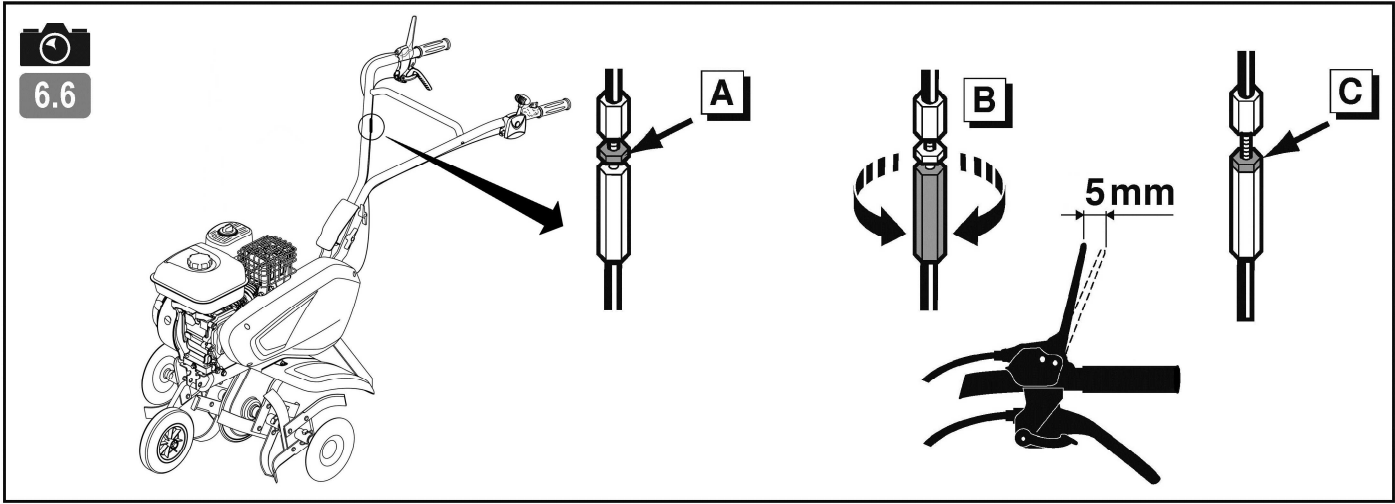
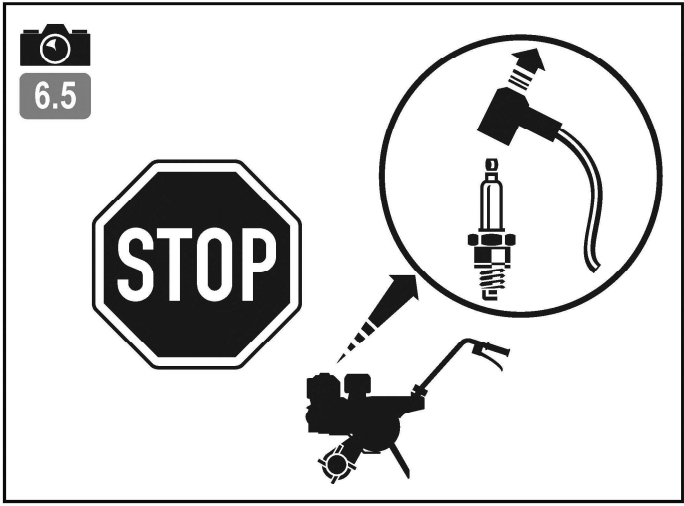
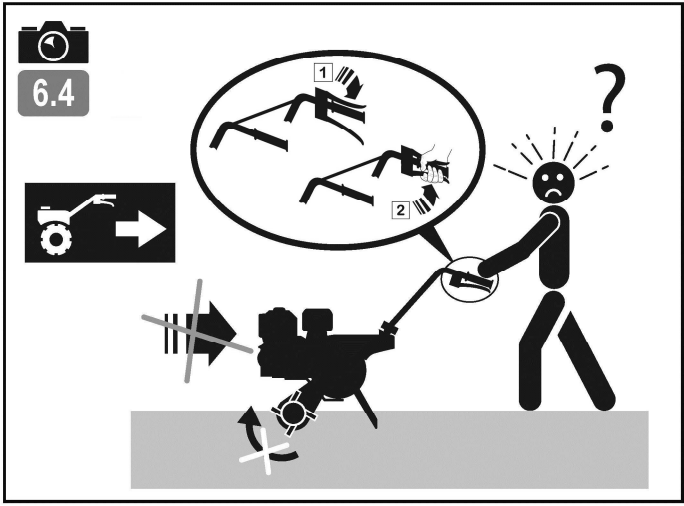


(*): FR : (suivant version) - EN : (depending on the version) - DE : (je nach Ausführungsvariante) - BG : (според варианта)
 HR : (ovisno o verziji) - DA : (Afhængigt af version) - ES : (Según versión) - ET : (järgmine versioon) - FI : (mallista riippuen)
 EL : (ανάλογα με το μοντέλο) - HU : (verziótól függően) - IT : (A seconda del modello) - LV : (atkarībā no versijas)
 LT : (priklausomai nuo versijos) - NL : (Naar gelang model) - NO : (Avhengig av versjon) - PL : (Zależnie od wersji)
 PT : (Consoante versão) - RO : (În funcție de versiune) - TR : (versiyona göre) - SK : (v závislosti od verzie) - SL : (odvisno od verzije)
 SV : (beroende på version) - CZ : (v závislosti na provedení) - UK : (в залежності від версії) - RU : (В зависимости от модификации)









SAFETY INSTRUCTIONS

Pay close attention to indications preceded by the following statements:

EN



CAUTION: Indicates a high probability of serious physical injury or danger of death if the instructions are not followed

DE

PRECAUTION: Indicates a possibility of physical injury or damage to the equipment if the instructions are not followed

FR

NOTE: Provides useful information

ES



This symbol warns you to be careful during certain operations

If a problem occurs, or if you have any questions about the motor hoe, please contact an approved dealer

IT



CAUTION: The machine is designed to provide safe and reliable service when used according to the instructions. Please read and memorise the content of this manual before you use your machine. If you do not, you will risk injury and the equipment may be damaged

NL

Training / Information:

- Familiarise yourself with the correct use and the controls before using the machine. Know how to stop the motor rapidly.
- The machine must always be used according to the recommendations indicated in the instruction manual.
- Do not forget that the user is responsible for any accidents or dangerous phenomena that occurs to other people or their property. It is their responsibility to assess the potential risks in the land to be worked and to take all the necessary precautions to guarantee their safety, in particular on slopes or on rough, slippery or loose ground.
- Never let children or people who are unfamiliar with these instructions use the machine. A minimum user age may be set by local regulations.
- Never work if there is anyone, in particular children or animals, within a 20-metre radius around the machine; the user must stay at the commands on the handlebars.
- Do not use the machine after taking any medicines or substances considered as potentially harmful to your reflexes and vigilance.
- Pay closer attention on hard ground as the machine will tend to be much less stable than on cultivated land.
- While working, always wear hard, non-slip shoes and long, tight trousers. Do not use the machine if you are barefoot or wearing sandals. We recommend wearing hearing protection.
- Use the machine for the purpose for which it is intended, i.e. soil turning. Any other use may be dangerous or may damage the machine.

Preparation:

- Carefully inspect the area where the machine is to be used and remove any objects that might be projected by the machine (stones, wire, glass, metal objects, etc.).
- Before use, always perform a visual inspection of the machine to make sure that the tools and deflectors are not worn or damaged. Have the worn or damaged parts replaced.
- If the machine has an engine stop button, keep the engine stop electrical cables in good condition to ensure that the engine will stop.
- Check that there are no liquid leaks (petrol, oil, etc.)

- Do not use the machine without mudguard or protective covers and make sure that all the attachment mechanisms are fully tightened.

Use:

- Never transport any people on the machine
- Start the engine carefully, following the manufacturer's instructions and keeping your feet away from the tool(s).
- Shut down the engine when the machine is unsupervised.
- Walk, never run with the machine.
- Pull the machine towards you or reverse the movement direction (if possible) with a great deal of care.
- Keep the safe distance in relation to the rotating tools, given by the handlebar length.
- Never put your hands or feet near or under rotating elements.
- In the event of:
 - Abnormal vibration,
 - Blockage,
 - Clutching problem,
 - Impact with a foreign object,
 - Damage to the engine shutdown cable (Depending on the model),
- Shut down the engine immediately (if the engine shutdown cable is cut, activate the starter command as described in the § "starting the engine" to shut down the engine), let the machine cool down, disconnect the spark plug wire, inspect the machine and have the necessary repairs carried out by an authorised repair technician before using the machine again.
- Only work in daylight or in good quality artificial light.
- Do not use the machine on slopes over 10° (17%).
- Work cross-wise on slopes, never ascending or descending.
- On steep land, be sure of your footing and take great care when changing direction.
- Using accessories other than those recommended may make the machine dangerous and cause damage to your machine, which will not be covered by your warranty.

Maintenance / Storage:

- Shut down the engine and disconnect the spark plug before any cleaning, verification, tool change, adjustment or maintenance operations on the machine.
- Shut down the engine, disconnect the spark plug and wear thick gloves when changing the tool(s).
- Keep all nuts and screws tight to guarantee safe usage conditions.
- To reduce fire risk, keep the motor, the silencer and the fuel storage area free of plants, waste oil, or any other inflammable material.
- Have the exhaust silencers replaced
- Do not repair the parts. Have the parts replaced with original parts.
- Replace the tools with complete batches to preserve the balance.
- For your safety, do not modify your machine's characteristics. Do not modify the engine speed regulation settings and do not use the engine in overspeed. Regular maintenance is essential to guarantee safety and maintain performance.
- Let the engine cool down before you store the machine inside premises.
- If the machine has a battery, disconnect it before any cleaning, checking or winter storage.

Caution – Danger: petrol is highly flammable:

- Store the fuel in containers specially provided for the purpose. Fill up with fuel outdoors only and do not smoke during the operation.
- Never remove the cap from the petrol tank or add petrol when the engine is running or when it is hot.
- If petrol is spilled on the ground, do not try to start the engine but move the machine away from this area and avoid causing any fires until the petrol fumes have dissipated.
- Store the machine in a dry place. Never store the machine in premises where the petrol fumes may reach a flame, a spark or a high source of heat.
- Put the caps back in place correctly on the tank and the petrol feed.
- Limit the quantity of petrol in the tank to minimise splashing.
- Do not run the engine in a confined space where carbon monoxide fumes may build up.
- Carbon monoxide may be fatal. Make sure that the premises are well ventilated.

Movement / Handling / Transport:

- All actions on the machine apart from working the ground must be performed with the engine shut down and the spark plug disconnected.
- The machine must be moved (apart from working the ground) using the transport wheel as described in the § "movement".
- Handling: do not lift the machine on your own. The machine's weight is indicated on the manufacturer's plate and at the end of this manual. Use a method of handling adapted to the weight of the machine and to the situation to guarantee safety.
- The machine must be loaded into and unloaded from a trailer using an adapted loading ramp. Stow the machine correctly for safe transport.
- The machine must be transported with the engine shut down and the spark plug disconnected using a trailer; do not use any other method of transport.

PICTOGRAM DEFINITION

! DANGER
Danger

⚠ CAUTION
Rotating cutter blades

📖 CAUTION
Read the user manual

🔧 CAUTION
Consult the user manual and remove the spark plug before any intervention.

🛡 CAUTION
Do not use without protection (moving elements)

👂
Wear ear protectors

Gas command (depending on engine type)

1 – Quick
2 – Slow
3 – Stop

Starter



Circuit breaker

●● Stop
-● Go
●● Stop

Gear selection (optional)

2 Forward quick speed
N Neutral
R Reverse
N Neutral
1 Forward slow speed

2 Forward quick speed
N Neutral
R Reverse
N Neutral
1 Forward slow speed

1 – Reverse
2 – Forward

Clutch handle

Clutch disengaged
Clutch engaged



Do not touch hot surfaces



The exhaust gases are dangerous
Do not use in a poorly-ventilated area



Switch the engine off before filling up



Do not smoke or use any flames



Battery charge
8 HOURS MAXIMUM



Pictograms that may or may not be present depending on the machine model

TECHNICAL INFORMATION

Machine model	TF 225	Acoustic pressure level at operator's ears (EN709 : 1997 / A4 : 2009)	dB(A)	83.5
Weight	kg 46	Measurement uncertainty	dB(A)	1
Engine model	R180	Measured sound power level (EN709 : 1997 / A4 : 2009)	dB(A)	96.3
Net power * for an engine rate	KW 3.5 rpm 3600	Measurement uncertainty	dB(A)	1
Nominal power Nominal engine rate	KW 3.3 rpm 3300	Level of vibrations on the operator's hands (EN709 : 1997 / A4 : 2009)	m/s ²	5.1
Guaranteed sound power level	dB(A) 98	Measurement uncertainty	m/s ²	2

* The engine power indicated in this document is a net power obtained by the test on a series engine according to standard SAE J 1349 at a given rotation speed. The power of another production engine may be different from this indicated value. The actual power of an engine installed on a machine will depend on different factors, such as the rotation speed, the temperature, humidity, atmospheric pressure, maintenance and other conditions.

EN

DE

FR

ES

IT

NL

EN

DE

FR

ES

IT

NL

NOTE: with permanent improvement in mind, the manufacturer specifies that all of this manual is not contractually-binding and reserves the right to modify the specifications of their machines without notice



Unpacking

1.1



DANGER: Incorrect assembly of this motor hoe may cause serious injury. Make sure that you follow all the instructions carefully



CAUTION: Make sure that you do not cut the cables or scratch the machine's paintwork when cutting sharp edges from the body

Item	Case content
A	Engine block
B	Exhaust grill **
C	Instructions + nuts and bolts pouch
D	Gauge spur
E	Right steering column
F	Left steering column
G	Steering column spacer
H	Transport wheel
I	Protection wings
J	Mills
K	Additional cutters *
L	Plant protector disk *
M	Jib guard *

* Depending on version

** Depending on engine type



Assembly of the machine

1.2



CAUTION: Incorrect assembly of this motor hoe may cause serious injury. Make sure that you follow all the instructions carefully

1

2

Gauge spur assembly

3

Steering column support assembly

4

5

6

Steering column assembly

7

8

9

10

Gauge spur tightening

11

12

Transport wheel assembly

13

14

Gas command assembly

15

16

17

Clutch handle and reverse handle assembly

18

Cable clip assembly

19

Protection wings assembly

20

21

Tool assembly



CAUTION: After assembling the machine fully, tighten all the nuts and bolts firmly but moderately

NB:

All dismantling operations must be carried out by an approved workshop



Description of the elements

1.3

- 1 – Gas command
- 2 – Engine
- 3 – Transport wheel
- 4 – Rotating tools
- 5 – On / off switch **
- 6 – Protection wings
- 7 – Gauge spur
- 8 – Belt cover
- 9 – Handlebar adjustment handle
- 10 – Clutch lever
- 11 – Reverse lever

** Depending on engine type



Machine identification plate

1.4

- A – Nominal power
- B – Weight in kilograms
- C – Serial number
- D – Year of manufacture
- E – Type of machine
- F – Manufacturer's name and address
- G – EC identification
- H – 30 = Petrol powered motor hoe



Transport wheel

1.5

A = Working position


B = Transport position


MACHINE START-UP

 ← **Cable tightener handlebar on the circuit breaker**
2.1

 ← **Oil full and level**
2.2

- Fill and top up the oil in the engine casing
- Fill the air filter housing to the OIL LEVEL marker with the same oil


 ← **Petrol full**
2.3
Super or unleaded or SP95 E 10


 ← **Open the fuel tap and set the starter to position A**
2.4

 ← **Accelerator**
2.5
Set the lever to: 

 ← **Short circuit**
2.6
Set the circuit breaker to: **ON**

 ← **Pull the launcher handle**
2.7

 Always remain inside the safety zone when the machine is starting up

 ← **Starter**
2.8
Set the starter to position **B**

EN

DE

FR

ES

USAGE

This machine is intended to:

- Prepare the soil for planting.
- Maintain planted areas and flower beds.

This machine is not intended for professional use.



It is essential to release the clutch before switching to reverse gear.



Maintain a safety radius of 20 m around the machine.



After start-up, do not leave the engine to run off-load, start work as soon as possible by activating the tool engagement control. It is not necessary to allow engine temperature to rise, running the engine off-load for more than 2 minutes without engaging tools can cause significant damage to the engagement system and the belt.



← **Forward movement**
3.1



← **Reverse operation**
3.2



Reversing the machine is dangerous. Make sure that there are no obstacles behind you and slow engine speed before engaging the clutch.



IT

NL

STOPPING

 ← **Cutting tool shutdown**
4.1

Release the clutch handle

 ← **Reduce the gas**
4.2
Set the accelerator command to: 

 ← **Engine shutdown**
4.3

Set the circuit breaker to: **OFF**


 ← **Close the petrol tap**
4.4

DAILY CHECKS

Check the following points before you start the engine:

- No loose or broken nuts and bolts
- No fuel or engine oil leaks
- Safety of the environment

 ← **Clean engine oil level**
2.2

 ← **Fuel level ok**
2.3

 ← **Air filter element cleanliness and oil level**
4.5



Do not use any flammable solvents to clean the air filter's foam element

MOVEMENT AND HANDLING

EN



Movement



Shut down the engine

DE

FR

ES



Set the wheel to movement position



Adjust the handlebar to low position to make it easier to move the machine



Using the handlebar, raise the cutters from the ground and move forward

- **Handling:** do not lift the machine on your own. The machine's weight is indicated on the manufacturer's plate and at the end of this manual. Use a handling method that is adapted to the machine's weight and the situation in order to guarantee safety
- The machine must be loaded into and unloaded from a trailer using an adapted loading ramp
- Stow the machine correctly for safe transport

IT

ADJUSTING THE CLUTCH CABLE

NL



When advancing jerkily or when the blades are not turning in the "Clutch engaged" position, adjust the clutch cable.



Stop the machine and disconnect the spark plug.



Release the cable tensioning nut on the clutch cable.



Set the tensioning nut to provide 20mm play at the end of the lever.



Relock the nut.

Reconnect the sparkplug.

Start the machine and try again.

If the problem persists, contact your retailer.

ADJUSTING THE REVERSING CABLE



In the "clutch engaged" position, in the event of an abnormal noise or when the blades do not turn, adjust the reversing cable.



Stop the machine and disconnect the spark plug.



Release the cable tensioning nut on the reversing lever.



Set the tensioning nut to provide 5mm play at the end of the lever.



Relock the nut.

Reconnect the sparkplug.

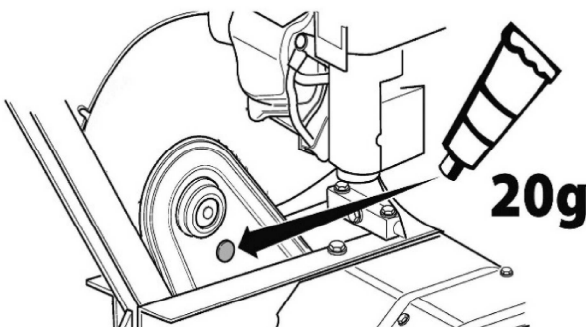
Start the machine and try again.

If the problem persists, contact your retailer.

PERIODIC MAINTENANCE (to be carried out by an authorised workshop)

TRANSMISSION GREASING

Period: 50 h maximum or 1/year before wintering



- 1- Remove the cap from the upper part of the transmission
- 2- Add 20 g of lithium grease from a tube
- 3- Put the cap back
- 4- Turn the cutters for 30 seconds

MAINTENANCE PROGRAMME (to be carried out by an authorised workshop)

First month or 20 hours

- Change the engine oil
- Clean the air filter (1)

Every 3 months or 50 hours

- Change the engine oil

Every 6 months or 100 hours

- Clean the decanting bowl
- Clean the spark guard
- Clean the spark plug

Every year or 300 hours

- Change the spark plug
- Clean the fuel tank and the fuel filter
- Check – adjust the idling rate (2)
- Check – adjust the valve play (2)

After every 500 hours

- Clean the combustion chamber (2)

Every 2 years

- Check the fuel pipe (change if necessary) (2)

NOTE:

(1) *Maintain the air filter more frequently when it is used in dusty areas*

(2) *These operations must be carried out by an authorised workshop, unless the user has the necessary tools and is mechanically qualified*

EN

DE

FR

ES

IT

NL

SICHERHEITSVORSCHRIFTEN

Achten Sie besonders auf folgende Warnhinweise:

EN



ACHTUNG : Weist auf die Gefahr schwerer Körperverletzung oder Lebensgefahr hin, wenn die Anweisungen nicht befolgt werden.

DE

VORSICHT: Weist auf die Möglichkeit einer Körperverletzung oder Materialbeschädigung hin, wenn die Anweisungen nicht befolgt werden.

FR

HINWEIS: Liefert nützliche Informationen.

ES



Bei Problemen oder Fragen zur Maschine wenden Sie sich bitte an einen zugelassenen Fachhändler.

IT



ACHTUNG: Die Maschine arbeitet sicher und zuverlässig, wenn sie unter normalen Bedingungen und gemäß den Anweisungen benutzt wird. Vor Inbetriebnahme dieser Maschine müssen Sie diese Anleitung gelesen und verstanden haben. Andernfalls laufen Sie Gefahr, verletzt zu werden und das Material zu beschädigen.

NL

Schulung / Informationen:

- Machen Sie sich vor der Verwendung der Maschine mit ihrer Funktionsweise und Bedienung vertraut. Lernen Sie, wie man den Motor schnell ausschaltet.
- Die Maschine muss immer gemäß den in dieser Anleitung enthaltenen Empfehlungen und Vorschriften verwendet werden.
- Vergessen Sie nicht, dass der Bediener für Unfälle oder gefährliche Vorfälle haftet, bei denen anderen Personen oder Gegenständen Schaden zugefügt wird. Aus diesem Grund ist er dafür verantwortlich, die potentiellen, mit dem zu bearbeitenden Gelände zusammenhängenden Gefahren zu beurteilen und die erforderlichen Sicherheitsmaßnahmen – vor allem bei Gefälle, unebenem, glattem oder lockerem Boden – zu treffen.
- Diese Maschine darf niemals von Kindern oder Personen verwendet werden, die mit ihrer Bedienung nicht vertraut sind. Gemäß den jeweiligen Landesvorschriften kann ein Mindestalter für den Benutzer vorgegeben sein.
- Arbeiten Sie niemals in unmittelbarer Anwesenheit von Personen, insbesondere von Kindern und Tieren: Ein Mindestabstand von 20 Metern sollte rund um die Maschine gegeben sein; der Benutzer muss unbedingt jederzeit eingriffsbereit am Lenker bleiben.
- Nehmen Sie die Maschine nicht in Gebrauch, wenn Sie Medikamente oder Substanzen, die das Reaktionsvermögen und die Konzentration bekannterweise mindern, eingenommen haben.
- Auf hartem Gelände ist besondere Aufmerksamkeit geboten, denn die Maschine ist weniger standfest als auf einem Kulturland.
- Tragen Sie bei der Arbeit stets festes, rutschfestes Schuhwerk und eine lange, anliegende Hose. Die Maschine nicht barfußig oder mit Sandalen bedienen. Wir empfehlen das Tragen von Gehörschutz.
- Verwenden Sie die Maschine ausschließlich für den vorgesehenen Verwendungszweck, in diesem Fall die Bodenbewirtschaftung. Jegliche andere Verwendung kann gefährlich sein und zur Beschädigung der Maschine führen.

Vorbereitung

- Inspizieren Sie sorgfältig den Arbeitsbereich und entfernen sämtliche Gegenstände, die von der Maschine mitgerissen und geschleudert werden könnten (Steine, Drähte, Glas, Metallgegenstände usw.).
- Führen Sie vor jeglicher Verwendung stets eine Sichtprüfung an der Maschine auf abgenutzte oder beschädigte Werkzeuge und Deflektoren durch.

Lassen Sie abgenutzte oder beschädigte Teile auswechseln.

- Besitzt die Maschine einen Motorabschaltknopf, halten Sie die elektrischen Motorabschaltkabel in einwandfreiem Zustand, damit das Abschaltssystem funktionstüchtig bleibt.
- Überprüfen Sie, dass keine Flüssigkeit austritt (Treibstoff, Öl...).
- Benutzen Sie die Maschine nicht ohne Kotflügel oder Schutzbleche und vergewissern sich, dass alle Befestigungen fest sitzen.

Gebrauch:

- Niemals Personen auf der Maschine transportieren.
- Starten Sie den Motor behutsam gemäß den Anweisungen des Herstellers und halten die Füße fern von den Arbeitswerkzeugen.
- Stellen Sie den Motor ab, wenn die Maschine unbeaufsichtigt bleibt.
- Laufen Sie niemals, sondern gehen Sie mit der Maschine.
- Ziehen Sie die Maschine zu sich oder führen den Richtungswechsel immer mit größter Vorsicht durch (bei vorhandener Option).
- Halten Sie stets einen Sicherheitsabstand zu den rotierenden Werkzeugen: Der Abstand ist durch die Länge des Lenkers vorgegeben.
- Bringen Sie Ihre Hände und Füße niemals in die Nähe oder unter die rotierenden Maschinenelemente.
- Bei:
 - ungewöhnlicher Vibration
 - Blockierung
 - Problemen mit der Kupplung
 - Aufprall auf einen Fremdkörper
 - Beschädigung des Motorabschaltkabels (je nach Modell),
- Schalten Sie den Motor sofort ab (ist das Motorabschaltkabel gerissen, betätigen Sie den Starterhebel wie im Abschnitt "Starten des Motors" beschrieben, um den Motor auszuschalten). Lassen Sie die Maschine abkühlen, klemmen Sie den Kerzendraht ab, inspizieren Sie die Maschine und lassen Sie vor einem erneuten Gebrauch die notwendigen Reparaturen von einem zugelassenen Reparaturdienst durchführen.
- Arbeiten Sie nur bei Tageslicht oder bei ausreichender Beleuchtung.
- Nehmen Sie die Maschine nicht auf Gefällen über 10° (17%) in Gebrauch.
- Arbeiten Sie stets quer zum Hang, niemals auf- oder abwärts.
- Bei Gefälle achten Sie auf sicheren Gang und führen Sie Richtungswechsel mit größter Vorsicht durch.
- Das Verwenden von anderem als dem empfohlenen Zubehör kann gefährlich sein und zu Maschinenschäden führen, die von der Garantie ausgeschlossen sind.

Instandhaltung / Lagerung:

- Vor Reinigung, Kontrolle, Werkzeugwechsel, Einstellung und Wartung der Maschine den Motor ausschalten und die Kerze abziehen.
- Stellen Sie den Motor ab, trennen die Kerze und tragen zum Werkzeugwechsel dicke Schutzhandschuhe.
- Für einen sicheren Betrieb achten Sie darauf, dass alle Muttern und Schrauben fest sitzen.
- Zur Verringerung der Brandgefahr halten Sie den Motor, den Schalldämpfer und den Treibstoffspeicherbereich frei von Pflanzen, Fettrückständen und sonstigen entzündlichen Stoffen.
- Lassen Sie beschädigte Schalldämpfer auswechseln.
- Nehmen Sie keine Reparaturen an gebrauchten Maschinenteilen vor. Lassen Sie die Teile nur gegen Originalersatzteile austauschen.
- Wechseln Sie die Werkzeuge durch komplette Bausätze aus, damit die Auswuchtung erhalten bleibt.
- Nehmen Sie zu Ihrer Sicherheit keine Umbauten vor, welche die Merkmale Ihrer Maschine verändern.

Verstellen Sie nicht die Drehzahlregelung des Motors und lassen Sie den Motor nicht bei Überdrehzahl laufen. Nur die regelmäßige Instandhaltung kann die Sicherheit und die Erhaltung der Maschinenleistung gewährleisten.

- Lassen Sie den Motor abkühlen, bevor Sie die Maschine in einem Raum abstellen.

Besitzt die Maschine eine Batterie, muss sie vor jeder Reinigung, Überprüfung oder Einlagerung vor der Winterperiode abgeklemmt werden.

Achtung Gefahr: Benzin ist hochentzündlich

- Bewahren Sie Kraftstoff stets in speziell dafür vorgesehenen Behältern auf. Der Kraftstoff ist ausschließlich im Freien einzufüllen. Rauchen ist während des Einfüllens verboten.
- Entfernen Sie niemals den Tankverschluss, und füllen Sie Benzin in keinem Fall bei laufendem oder warmem Motor ein.
- Ist Benzin auf den Boden ausgelaufen, versuchen Sie nicht, den Motor einzuschalten, sondern entfernen die Maschine aus dem betroffenen Bereich, bis die Benzindämpfe sich aufgelöst haben, um einer Entzündung vorzubeugen.
- Stellen Sie die Maschine an einem trockenen Ort ab. Stellen Sie die Maschine niemals in einem Raum ab, in dem Benzindämpfe durch eine Flamme, einen Funken oder eine starke Hitzequelle entzündet werden könnten.
- Setzen Sie den Tankverschluss und den Verschluss des Benzinvorratsbehälters richtig ein.
- Füllen Sie nicht zu viel Benzin ein, um Spritzer zu vermeiden.
- Lassen Sie den Motor nicht in einem geschlossenen Raum laufen, in dem sich Kohlenmonoxid ansammeln kann.
- Kohlenmonoxid ist lebensgefährlich. Sorgen Sie für eine gute Lüftung.

Heben / Bewegen / Transportieren

- Mit Ausnahme des Arbeitsbetriebs müssen sämtliche Arbeiten an der Maschine bei abgeschaltetem Motor und getrennter Kerze durchgeführt werden.
- Die Maschine muss (außer im Arbeitsbetrieb) mit dem Transportrad – wie im Abschnitt "Heben und Bewegen" beschrieben – bewegt werden.
- Handhabung: Die Maschine nicht alleine anheben. Das Maschinengewicht ist auf dem Typenschild und am Ende dieser Anleitung angegeben. Aus Sicherheitsgründen verwenden Sie bitte ein Verfahren zur Handhabung, das für das Maschinengewicht und die gegebene Situation geeignet ist.
 - Zum Auf- bzw. Entladen der Maschine von einem Anhänger ist unbedingt eine geeignete Laderampe zu benutzen. Für den sicheren Transport darauf achten, dass die Maschine ordentlich befestigt ist.
 - Die Maschine muss mit ausgeschaltetem Motor und abgeklemmter Kerze mithilfe eines Anhängers transportiert werden. - bitte kein anderes Transportmittel verwenden.

BESCHREIBUNG DER PIKTOGRAMME

ACHTUNG
Gefahr

ACHTUNG
Drehende Werkzeuge

ACHTUNG
Die Bedienungsanleitung lesen

ACHTUNG
Befolgen Sie die Anweisungen der Betriebsanleitung und bauen Sie vor jedem Eingriff die Zündkerze aus

ACHTUNG
Nicht ohne Schutz verwenden (Drehwerkzeuge)

Tragen Sie einen Lärmschutzhelm

Gashebel (je nach Antriebsart)

1 – Schnell
2 – Langsam
3 – Stop

Starter



Ausschalterhebel

●● Stopp
-● Vorwärts
●● Stopp

Wahl der Geschwindigkeit (optional)

2 Vorwärtsgang Hohe Drehzahl
N Nullpunkt
R Rückwärtsgang
N Nullpunkt
1 Vorwärtsgang niedrige Drehzahl

2 Vorwärtsgang Hohe Drehzahl
N Nullpunkt
R Rückwärtsgang
N Nullpunkt
1 Vorwärtsgang niedrige Drehzahl

1 ← 2 →
1 – Rückwärtsgang
2 – Vorwärtsgang

Kupplungshebel

Ausgekuppelt
Eingekuppelt



Die heißen Oberflächen niemals berühren



Abgase sind gefährlich für die Gesundheit
Niemand an einem schlecht durchlüfteten Ort laufen lassen



Den Motor vor dem Volltanken ausschalten



Es ist verboten, in der Maschinengegend zu rauchen, Feuer zu machen oder der Maschine zu nähern



Aufladen der Batterie
8 H 00 MAXIMUM



Je nach Maschinenmodell vorhandene oder nicht vorhandene Piktogramme

TECHNISCHE INFORMATIONEN

Maschinenmodell	TF 225	Schalleistungspegel am Fahrerstand (EN709 : 1997 / A4 : 2009)		dB(A)	83.5
Gewicht	kg	46	Messunsicherheit	dB(A)	1
Modell/Motor	R180	Gemessener Schalleistungspegel (EN709 : 1997 / A4 : 2009)		dB(A)	96.3
Nutzleistung * für eine Motorleistung	KW U/min	3.5 3600	Messunsicherheit	dB(A)	1
Nutzleistung Nenn Drehzahl des Motors	KW U/min	3.3 3300	Vibrationspegel an den Händen des Maschinenführers (EN709 : 1997 / A4 : 2009)		m/s ²
Garantierter Schalleistungspegel	dB(A)	98	Messunsicherheit	m/s ²	2

* Die in diesem Dokument angegebene Motorleistung ist eine Nutzleistung, die im Versuch mit einem Serienmotor gemäß der Norm SAE J 1349 mit einer gegebenen Drehzahl erhalten wurde. Die Leistung eines anderen Motors kann von diesem Wert abweichen. Die tatsächliche Leistung eines in eine Maschine eingebauten Motors ist von unterschiedlichen Faktoren abhängig, etwa der Umdrehungsgeschwindigkeit, den Temperaturbedingungen, der Feuchtigkeit, dem atmosphärischen Druck, der Instandhaltung, usw.

EN

DE

FR

ES

IT

NL

EN

DE

FR

ES

IT

NL

HINWEIS: Im ständigen Bestreben nach Verbesserungen erklärt der Hersteller, dass das gesamte Handbuch nicht verbindlich ist, und behält sich das Recht vor, die Spezifikationen seiner Maschinen ohne vorherige Ankündigung zu ändern



Auspacken

1.1



ACHTUNG:
Eine unsachgemäße Montage dieser Motorhacke kann schwere Verletzungen hervorrufen. Vergewissern Sie sich, dass Sie alle Anweisungen sorgfältig befolgen



ACHTUNG:
Achten Sie beim Aufschneiden der Kanten der Kiste darauf, die Kabel nicht durchzuschneiden oder den Lack der Maschine nicht zu beschädigen

Mark.	Inhalt der Kiste
A	Motoraggregat
B	Entlüftungsgitter **
C	Hülle mit Anleitungen + Schrauben*
D	Bremssporn
E	Rechte Lenkstange
F	Linke Lenkstange
G	Lenkstangenverbindung
H	Transportrad
I	Schutzflügel
J	Fräsen
K	Zusatzfräsen *
L	Schutzscheibe für Setzlinge *
M	Lenkstangenabdeckung *

* je nach Ausführungsvariante

**je nach Antriebsart



Montage der Maschine

1.2



ACHTUNG:
Eine unsachgemäße Montage dieser Motorhacke kann schwere Verletzungen hervorrufen. Vergewissern Sie sich, dass Sie alle Anweisungen sorgfältig befolgen

1 2 Montage des Bremssporns

3 Montage des Lenkstangenhalters

4 5 6 Montage des Lenkers

7 8 9

10 Montage des Bremssporns

11 12 Montage des Transportrads

13 14 Montage des Gashebels

15 16 17 Montage Kupplungshebel und Rückwärtsganghebel

18 Montage der Kabelklemmen

19 Montage der Schutzflügel

20 21 Montage der Werkzeuge



ACHTUNG:
Ziehen Sie nach der kompletten Montage der Maschine alle Schrauben mäßig fest

HINWEIS:

Alle Ausbauarbeiten (Demontage) müssen von einer autorisierten Werkstatt ausgeführt werden



Beschreibung der Elemente

1.3

- 1 – Gashebel
- 2 – Motor
- 3 – Transportrad
- 4 – Drehwerkzeuge
- 5 – Ein/Aus-Schaltenschutz **
- 6 – Schutzflügel
- 7 – Bremssporn
- 8 – Keilriemenhaube
- 9 – Griff für Lenkereinstellung
- 10 – Kupplungshebel
- 11 – Rückwärtsganghebel

**je nach Antriebsart



Kennzeichnungsschild der Maschine

1.4

- A – Nennleistung
- B – Masse in Kilogramm
- C – Seriennummer
- D – Herstellungsjahr
- E – Maschinentyp
- F – Name und Adresse des Herstellers
- G – CE-Kennzeichnung
- H – 30 = Thermische Motorhacke



Transportrad

1.5

A = Arbeitsstellung

B = Transportstellung

STARTEN DER MASCHINE

 ← **Montage des Ausschalters am Lenker**
2.1

 ← **Ölnachfüllung und Füllstand**
2.2


- Das Motoröl einfüllen und den Füllstand messen
- Das Luftfiltergehäuse bis zur Markierung OILLEVEL mit dem gleichen Öl füllen

 ← **Benzinnachfüllung**
2.3

Super oder Bleifrei oder SP95 E 10

 ← **Öffnen Sie den Benzinhahn und setzen Sie den Starter auf die Position A**
2.4

 ← **Gashebel**
2.5

Setzen Sie den Hebel in Richtung: 

 ← **Ausschalterhebel**
2.6

Stellen Sie den Ausschalter auf die Position: **ON**

 ← **Ziehen Sie am Griff des Starters**
2.7



Bleiben Sie beim Starten der Maschine stets innerhalb des Sicherheitsbereichs

 ← **Starter**
2.8

Setzen Sie den Starter auf die Position **B**

EN

DE

FR

ES

IT

NL

VERWENDUNG

Diese Maschine ist für Folgendes vorgesehen:

- Vorbereitung der Erde für Pflanzungen.
- Pflege von Pflanzungen und Blumenbeeten.

Diese Maschine ist nicht für einen beruflichen Einsatz vorgesehen.



Es ist unbedingt erforderlich, vor Verwendung des Fahrrichtungsumschalters die Kupplung loszulassen.



Einen Sicherheitsbereich mit einem Radius von 20 m um die Maschine herum einhalten.



Nach dem Einschalten den Motor nicht leer laufen lassen; sobald wie möglich mit dem Arbeiten beginnen, indem die Kupplungssteuerung der Werkzeuge betätigt wird. Der Motor braucht nicht angewärmt zu werden; ein Leerlaufen von länger als 2 Minuten ohne Einkuppeln der Werkzeuge kann beträchtliche Schäden am Kupplungssystem und dessen Riemen verursachen.



← **Vorwärtsgang**
3.1



← **Rückwärtsgang**
3.2




Die Verwendung des Rückwärtsgangs ist gefährlich. Sich vergewissern, dass sich kein Hindernis hinter Ihnen befindet, und die Motordrehzahl verringern, bevor die Kupplung geschaltet wird.

ABSCHALTEN

 ← **Fräsenwerkzeuge abschalten**
4.1

Den Kupplungsgriff loslassen

 ← **Gasemissionen reduzieren**
4.2

Stellen Sie die Gashebelsteuerung auf die Position: 

 ← **Motor abschalten**
4.3


Stellen Sie den Ausschalter auf die Position: **OFF**


 ← **Benzinhahn schließen**
4.4


TÄGLICHE KONTROLLEN

Bevor Sie den Motor ingangsetzen, überprüfen Sie folgende Punkte:

- Keine lockeren oder abgebrochenen Bolzen und Muttern
- Keine Benzin- und Motoröllecks
- Sicherheit der Umgebung

 ← **Motorölstand**
2.2

 ← **Ausreichender Benzinstand**
2.3

 ← **Sauberkeit des Luftfilterelements und Ölstand**
4.5



Zur Reinigung des Schaumstoffteils im Luftfilter keine entzündlichen Lösungsmittel verwenden

BEWEGUNG UND HANDHABUNG

EN



Bewegung

5.1



Den Motor abstellen

DE

FR



Das Rad in die Position Bewegen setzen

ES



Die Lenkstange in niedriger Position einstellen, um die Fortbewegung der Maschine zu erleichtern



Mithilfe der Lenkstange die Fräsen vom Boden anheben und die Maschine nach vorne bewegen

- **Handhabung** : Die Maschine niemals manuell anheben. Das Maschinengewicht ist auf dem Typenschild und am Ende dieser Anleitung angegeben. Aus Sicherheitsgründen verwenden Sie bitte ein Verfahren zur Handhabung, das für das Maschinengewicht und die gegebene Situation geeignet ist

- Zum Auf- bzw. Abladen der Maschine von einem Anhänger ist unbedingt eine geeignete Laderampe zu benutzen

- Für den sicheren Transport darauf achten, dass die Maschine ordentlich befestigt ist

IT

JUSTIERUNG DES KUPPLUNGSKABELS

NL



Bewegt sich die Maschine in Position "Eingekuppelt" ruckartig oder drehen sich die Hackmesser nicht, das Kupplungskabel justieren.

6.1



Maschine abschalten und Kerze trennen.

6.2



6.3



Mutter der Kupplungskabel-Spannvorrichtung freigeben.



Spannvorrichtung justieren, bis am Ende des Kupplungshebels ein 20 mm Spiel erreicht wird.



Mutter wieder festziehen.

Kerze anschließen.

Maschine starten und erneut versuchen.

Hält das Problem an, wenden Sie sich an Ihren Händler.

JUSTIERUNG DES RÜCKWÄRTSGANGKABELS



6.4

Ist in der Position "Eingekuppelt" ein unregelmäßiges Betriebsgeräusch zu vernehmen oder drehen sich die Hackmesser nicht, das Rückwärtsgangkabel justieren.



6.5

Maschine abschalten und Kerze trennen.



6.6



Mutter der Wendegetriebekabel-Spannvorrichtung freigeben.



Spannvorrichtung justieren, bis am Ende des Hebels ein 5 mm Spiel erreicht wird.



Mutter wieder festziehen.

Kerze anschließen.

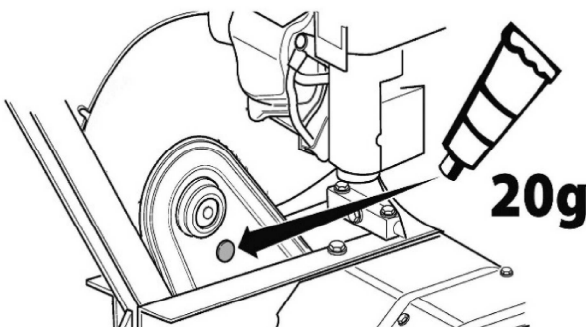
Maschine starten und erneut versuchen.

Hält das Problem an, wenden Sie sich an Ihren Händler.

WARTUNG (in einer zugelassenen Werkstatt durchzuführen)

SCHMIEREN DES ANTRIEBS

Zeitabstand: Nach max. 50 h oder 1/Jahr vor Überwinterung



- 1- Den Verschluss vom oberen Teil des Getriebes abnehmen
- 2- 20 g Lithium-Fett aus der Tube hinzufügen
- 3- Den Verschluss wieder anbringen
- 4- Die Fräsen 30 Sekunden lang drehen lassen

WARTUNGSPROGRAMM (in einer zugelassenen Werkstatt durchzuführen)

Nach 1 Monat oder 20 Stunden

- Motoröl auswechseln
- Luftfilter reinigen (1)

Nach 3 Monaten oder 50 h

- Motoröl auswechseln

Nach 6 Monaten oder 100 h

- Dekantierschale reinigen
- Funkenflugschutz reinigen
- Zündkerze reinigen

Jedes Jahr oder alle 300 h

- Zündkerze auswechseln
- Treibstofftank und Treibstofffilter reinigen
- Leerlauf überprüfen - einstellen (2)
- Ventilspiel überprüfen - einstellen (2)

Nach 500 Stunden

- Verbrennungskammer reinigen (2)

Alle zwei Jahre

- Die Treibstoffleitung überprüfen (2)

HINWEIS:

- (1) Das Luftfilterelement muss bei einer Verwendung in staubigen Umgebungen häufiger gereinigt werden
- (2) Diese Arbeiten müssen von einer zugelassenen Werkstatt ausgeführt werden, außer der Anwender verfügt über die erforderlichen Werkzeuge oder ist ausgebildeter Mechaniker

EN

DE

FR

ES

IT

NL

CONSIGNES DE SÉCURITÉ

Attacher une attention particulière aux indications précédées des mentions suivantes :

EN



ATTENTION : Signale une forte probabilité de blessures corporelles graves, voir un danger mortel si les instructions ne sont pas suivies

DE

PRÉCAUTION : Signale une possibilité de blessures corporelles ou de détérioration de l'équipement si les instructions ne sont pas suivies

FR

NOTE : Fournit des informations utiles

ES



Ce signe vous appelle à la prudence lors de certaines opérations

En cas de problème, ou pour toutes questions concernant la motobineuse, veuillez vous adresser à un concessionnaire agréé

IT

NL



ATTENTION : La machine est conçue pour assurer un service sûr et fiable dans des conditions d'utilisation conformes aux Instructions. Avant d'utiliser votre machine, veuillez lire et assimiler le contenu de ce manuel. A défaut, vous vous exposez à des blessures et l'équipement pourrait être endommagé

Formation / Informations :

- Se familiariser avec l'utilisation correcte et les commandes avant d'utiliser la machine. Savoir arrêter le moteur rapidement.
- La machine doit toujours être utilisée suivant les recommandations indiquées dans la notice d'instructions.
- Ne pas oublier que l'utilisateur est responsable des accidents ou des phénomènes dangereux survenant aux autres personnes ou à leurs biens. Il est de sa responsabilité d'évaluer les risques potentiels du terrain à travailler et de prendre toutes les précautions nécessaires pour assurer sa sécurité, en particulier dans les pentes, les sols accidentés, glissants ou meubles.
- Ne jamais laisser les enfants, ou des personnes non familières avec ces instructions, utiliser la machine. Les réglementations locales peuvent fixer un âge minimal pour l'utilisateur.
- Ne jamais travailler en présence de personnes, en particulier d'enfants, ou d'animaux dans un rayon de 20 mètres autour de la machine; l'utilisateur devant rester impérativement aux commandes des mancherons.
- Ne pas utiliser la machine après avoir absorbé des médicaments ou des substances, réputées comme pouvant nuire à sa capacité de réflexe et de vigilance.
- Dans un terrain dur, avoir une attention plus particulière car la machine aura tendance à être beaucoup moins stable qu'en terrain cultivé.
- Pendant le travail, porter toujours des chaussures résistantes, non dérapantes et des pantalons longs et serrés. Ne pas utiliser la machine lorsque l'on est pieds nus ou en sandales. Nous recommandons le port de protections auditives.
- Utiliser la machine pour l'usage auquel elle est destinée, à savoir la culture du sol. Toute autre utilisation peut s'avérer dangereuse ou entraîner une détérioration de la machine.

Préparation :

- Inspecter minutieusement la zone sur laquelle la machine doit être utilisée et éliminer tous les objets qui pourraient être projetés par la machine (pierres, fils, verre, objets en métal...).
- Avant utilisation, toujours procéder à un contrôle visuel de la machine pour s'assurer que

les outils et les déflecteurs ne sont ni usés ni endommagés. Faire remplacer les pièces usées ou endommagées.

- Si la machine est équipée d'un bouton d'arrêt moteur, maintenir les câbles électriques d'arrêt moteur en bon état de façon à garantir l'arrêt moteur.
- Vérifier l'absence de fuite de liquide (essence, huile ...).
- Ne pas utiliser la machine sans garde-boue ou capots de protection et s'assurer que tous les dispositifs de fixation sont bien serrés.

Utilisation :

- Ne jamais transporter de personnes sur la machine.
- Démarrer le moteur avec précaution en respectant les instructions du fabricant et en maintenant les pieds éloignés de l'(des) outil(s).
- Arrêter le moteur quand la machine est sans surveillance.
- Marcher, ne jamais courir avec la machine.
- Tirer la machine vers soi ou inverser le sens de marche (si disponible) avec beaucoup de précautions.
- Conserver la distance de sécurité par rapport aux outils rotatifs, donnée par la longueur du guidon.
- Ne pas placer les mains ou les pieds près ou sous des éléments en rotation.
- En cas de :
 - vibration anormale,
 - blocage,
 - problème d'embrayage,
 - choc avec un objet étranger,
 - détérioration du câble d'arrêt moteur (suivant modèle),

arrêter le moteur immédiatement (si le câble d'arrêt moteur est coupé, actionner la commande du starter comme décrit au § "démarrage moteur" pour arrêter le moteur), laisser la machine refroidir, débrancher le fil de bougie, inspecter la machine et faire effectuer les réparations nécessaires par un réparateur agréé avant toute nouvelle utilisation.

- Travailler uniquement à la lumière du jour ou dans une lumière artificielle de bonne qualité.
- Ne pas utiliser la machine dans des pentes supérieures à 10° (17%).
- Travailler les pentes dans le sens transversal, jamais en montant ou en descendant.
- Sur les terrains pentus, bien assurer ses pas, changer de direction avec beaucoup de précautions.
- L'utilisation d'accessoires autres que ceux recommandés peut rendre la machine dangereuse, et occasionner des dommages sur votre machine qui ne seront pas couverts par votre garantie.

Maintenance / Stockage :

- Arrêter le moteur et débrancher la bougie avant toute opération de nettoyage, de vérification, de changement d'outil(s), de réglage ou d'entretien de la machine.
- Arrêter le moteur, débranchez la bougie et utiliser des gants épais pour changer l(es) outil(s).
- Maintenir tous les écrous et vis serrés afin d'assurer des conditions d'utilisation sûres.
- Pour réduire les risques d'incendie, maintenir le moteur, le silencieux, et la zone de stockage de l'essence dégagés de végétaux, d'excès de graisse, ou de toute autre matière susceptible de s'enflammer.
- Faire remplacer les silencieux d'échappement.
- Ne pas réparer les pièces. Faire remplacer les pièces par des pièces d'origine.

- Remplacer les outils par des lots complets afin de préserver l'équilibre.

- Pour votre sécurité ne pas modifier les caractéristiques de votre machine. Ne pas modifier les réglages de régulation de vitesse du moteur et ne pas utiliser le moteur en survitesse. Un entretien régulier est essentiel pour la sécurité et le maintien du niveau de performances.
- Laisser le moteur refroidir avant de ranger la machine dans un local.
- Si la machine est équipée d'une batterie, débrancher la avant toute opération de nettoyage, de vérification ou de remisage hivernal.

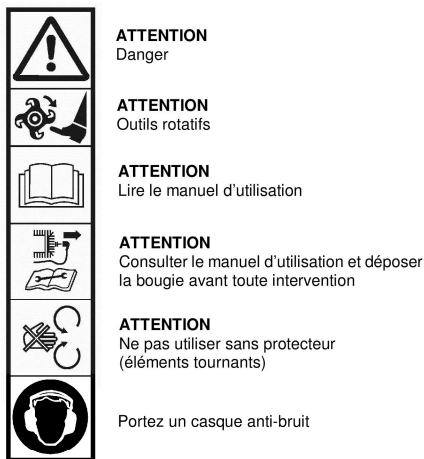
Attention – Danger : l'essence est hautement inflammable :

- Stocker le carburant dans des récipients spécialement prévus à cet effet. Faire le plein à l'extérieur uniquement et ne pas fumer pendant cette opération.
- Ne jamais enlever le bouchon du réservoir d'essence ou ajouter de l'essence pendant que le moteur tourne ou tant qu'il est chaud.
- Si de l'essence a été répandue sur le sol, ne pas tenter de démarrer le moteur mais éloigner la machine de cette zone et éviter de provoquer toute inflammation tant que les vapeurs d'essence ne sont pas dissipées.
- Entreposer la machine dans un endroit sec. Ne jamais entreposer la machine dans un local où les vapeurs d'essence pourraient atteindre une flamme, une étincelle ou une forte source de chaleur.
- Remettre correctement en place les bouchons du réservoir et de la nourrice d'essence.
- Limiter la quantité d'essence dans le réservoir pour minimiser les éclaboussures.
- Ne pas faire tourner le moteur dans un endroit confiné où les vapeurs de monoxyde de carbone peuvent s'accumuler.
- Le monoxyde de carbone peut être mortel. Assurer une bonne ventilation.

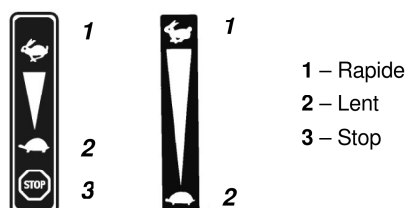
Déplacement / Manutention / Transport :

- Toute action sur la machine hors du travail du sol doit s'effectuer moteur arrêté et bougie débranchée.
- Le déplacement (hors travail du sol) doit s'effectuer en utilisant la roue de transport comme décrit au § "déplacement".
- Manutention : ne pas soulever la machine seul. Le poids de la machine est indiqué sur la plaque constructeur et à la fin de ce manuel. Utiliser une méthode de manutention adaptée au poids de la machine et à la situation afin de garantir la sécurité.
- Le chargement et le déchargement de la machine dans une remorque doit s'effectuer à l'aide d'une rampe de chargement adaptée. Arrimer correctement la machine pour un transport en toute sécurité.
- Le transport doit s'effectuer moteur arrêté et bougie débranchée à l'aide d'une remorque, n'utiliser aucun autre moyen de transport.

DÉFINITION DES PICTOGRAMMES



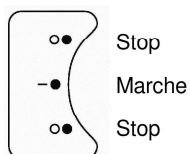
Commande de gaz (suivant motorisation)



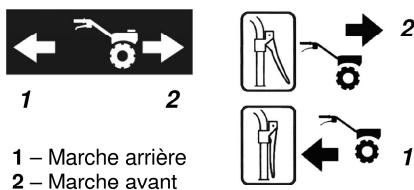
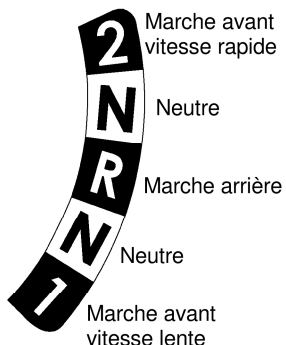
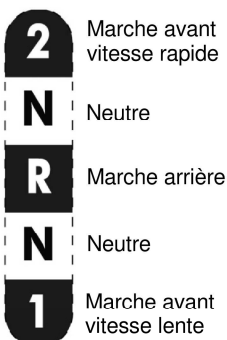
Démarrreur



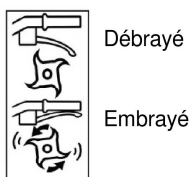
Coupe-circuit



Sélection de vitesse (optionnel)



Manette embrayage



Ne pas toucher aux surfaces chaudes



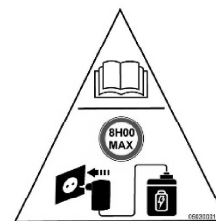
Les gaz d'échappement sont dangereux
Ne pas utiliser dans un endroit mal aéré



Couper le moteur avant de refaire le plein



Interdit de fumer,
de faire ou d'approcher du feu



Charge de la batterie
8 H 00 MAXIMUM



Pictogrammes présents ou non suivant le modèle de machine

INFORMATIONS TECHNIQUES

Modèle machine	TF 225	Niveau de pression acoustique au poste de conduite (EN709 : 1997 / A4 : 2009)	dB(A)	83.5	
Poids	kg	46	Incertitude de mesure	dB(A)	1
Modèle moteur	R180	Niveau de puissance acoustique mesurée (EN709 : 1997 / A4 : 2009)	dB(A)	96.3	
Puissance nette * pour un régime moteur	KW tr/min	3.5 3600	Incertitude de mesure	dB(A)	1
Puissance nominale Régime moteur nominal	KW tr/min	3.3 3300	Niveau de vibrations aux mains de l'opérateur (EN709 : 1997 / A4 : 2009)	m/s ²	5.1
Niveau de puissance acoustique garantie dB(A)	98	Incertitude de mesure	m/s ²	2	

* La puissance du moteur indiquée dans ce document est une puissance nette obtenue par l'essai d'un moteur de série selon la norme SAE J 1349 à une vitesse de rotation donnée. La puissance d'un autre moteur de production peut être différente de cette valeur indiquée. La puissance réelle d'un moteur installé sur une machine dépendra de différents facteurs comme la vitesse de rotation, les conditions de température, d'humidité, de pression atmosphérique, de maintenance et autres.

EN

DE

FR

ES

IT

NL

EN

DE

FR

ES

IT

NL

NOTA: dans un souci permanent d'amélioration, le constructeur précise que l'intégralité de ce manuel n'est pas contractuelle, et se réserve le droit de modifier sans prévenir, les spécifications de ses machines



Déballage

1.1



ATTENTION :
Un assemblage inapproprié de cette motobineuse peut provoquer des blessures graves. Assurez-vous de suivre toutes les instructions soigneusement



ATTENTION :
Prendre garde à ne pas couper les câbles ou à rayer la peinture de la machine en coupant les arêtes de la caisse

Rep.	Contenu de la caisse
A	Bloc moteur
B	Grille échappement **
C	Pochette notices + visserie
D	Eperon de terrage
E	Guidon droit
F	Guidon gauche
G	Entretoise guidon
H	Roue de transport
I	Ailes de protection
J	Fraises
K	Fraises additionnelles *
L	Disque protège-plants *
M	Cache potence

* Suivant version

** Suivant motorisation



Montage de la machine

1.2



ATTENTION :
Un assemblage inapproprié de cette motobineuse peut provoquer des blessures graves. Assurez-vous de suivre toutes les instructions soigneusement

1 2 Montage éperon de terrage

3 Montage support guidon

4 5 6 Montage guidon

7 8 9

10 Serrage éperon de terrage

11 12 Montage roue de transport

13 14 Montage commande de gaz

15 16 17 Montage manette embrayage et manette marche arrière

18 Montage serre-câbles

19 Montage des ailes de protection

20 21 Montage des outils



ATTENTION :
Après l'assemblage complet de la machine, procéder à un serrage ferme, mais modéré, de toute la visserie

NOTA :

Toutes opérations de démontage doit être effectué par un atelier agréé



Description des éléments

1.3

- 1 – Commande de gaz
- 2 – Moteur
- 3 – Roue de transport
- 4 – Outils rotatifs
- 5 – Contacteur marche / arrêt **
- 6 – Ailes de protection
- 7 – Eperon de terrage
- 8 – Capot de courroie
- 9 – Poignée réglage guidon
- 10 – Levier d'embrayage
- 11 – Levier marche arrière

** Suivant motorisation



Plaque d'identification de la machine

1.4

- A – Puissance nominale
- B – Masse en kilogrammes
- C – Numéro de série
- D – Année de fabrication
- E – Type de la machine
- F – Nom et adresse du constructeur
- G – Identification CE
- H – 30 = Motobineuse à moteur thermique



Roue de transport

1.5

A = Position travail


B = Position transport

DEMARRAGE MACHINE

 ← Montage du coupe-circuit sur le guidon
2.1

 ← Plein d'huile et niveau
2.2

- Remplir et faire le niveau d'huile du carter moteur
- Remplir le boîtier de filtre à air jusqu'au repère OIL LEVEL avec la même huile

 ← Plein d'essence
2.3

Super ou sans plomb
ou SP95 E 10

 ← Ouvrir le robinet d'essence et mettre le starter sur la position A
2.4


 ← Accélérateur
2.5

Mettre le levier vers : 

 ← Coupe-circuit
2.6

Mettre le coupe-circuit sur : **ON**

 ← Tirer sur la poignée du lanceur
2.7

 Lors du démarrage de la machine, toujours rester dans la zone de sécurité

 ← Starter
2.8

Mettre le starter sur la position **B**

EN

DE

FR

ES

IT


NL


UTILISATION


Cette machine est destinée à :


- La préparation de la terre pour les plantations.
- l'entretien des plantations et parterre de fleurs.


Cette machine n'est pas destinée à une utilisation professionnelle.


 ← Marche avant
3.1


 Il est impératif de lâcher l'embrayage avant d'utiliser l'inverseur de marche.


 Respecter une zone de sécurité de 20 m de rayon autour de la machine.

 Après démarrage, ne pas laisser tourner le moteur à vide, commencer à travailler dès que possible en actionnant la commande d'embrayage des outils. IL est inutile de faire chauffer le moteur, le faire tourner à vide plus de 2 minutes sans embrayer les outils peut causer d'importants dégâts au système d'embrayage et sa courroie.

 ← Marche arrière
3.2

 Il est impératif de lâcher l'embrayage avant d'utiliser l'inverseur de marche.


 Respecter une zone de sécurité de 20 m de rayon autour de la machine.


 L'utilisation de la marche arrière est dangereuse. Assurez vous qu'aucun obstacle ne se trouve derrière vous et réduisez le régime moteur avant d'embrayer.

ARRÊT

 ← Arrêt outils fraise
4.1

Relâcher la poignée d'embrayage

 ← Réduire les gaz
4.2

Mettre la commande d'accélérateur sur : 

 ← Arrêt moteur
4.3

Mettre le coupe-circuit sur : **OFF**

 ← Fermer le robinet d'essence
4.4

CONTRÔLES QUOTIDIENS

EN

Avant de mettre le moteur en marche, vérifier les points suivants :

- Absence de boulons et écrous desserrés ou cassés
- Absence de fuite d'essence et d'huile moteur
- Sécurité de l'environnement



2.2

← Niveau d'huile moteur propre



4.5

← Propreté de l'élément du filtre à air et niveau d'huile



Ne pas utiliser de solvant inflammable pour nettoyer l'élément mousse du filtre à air



2.3

← Niveau d'essence suffisant

DE

FR

ES

IT

DÉPLACEMENT ET MANUTENTION

NL



5.1

← Déplacement



Arrêter le moteur.



Mettre la roue en position déplacement.



B

Régler le guidon en position basse pour faciliter le déplacement de la machine.



C

A l'aide du guidon soulever les fraises du sol et avancer.

- **Manutention** : ne pas soulever la machine seul. Le poids de la machine est indiqué sur la plaque constructeur et à la fin de ce manuel. Utiliser une méthode de manutention adaptée au poids de la machine et à la situation afin de garantir la sécurité.
- Le chargement et le déchargement de la machine dans une remorque doit s'effectuer à l'aide d'une rampe de chargement adaptée.
- Arrimer correctement la machine pour un transport en toute sécurité.

RÉGLAGE CÂBLE D'EMBRAYAGE



6.1

En position "embrayé", lorsque l'avancement se fait par saccades ou lorsque les fraises ne tournent pas, régler le câble d'embrayage.



6.2

Arrêter la machine et débrancher la bougie.



6.3



A

Débloquer l'écrou du tendeur de câble d'embrayage.



B

Régler le tendeur jusqu'à obtenir un jeu de 20 mm à l'extrémité du levier d'embrayage.



C

Rebloquer l'écrou.

Rebrancher la bougie.

Démarrer la machine et essayer de nouveau.

Si le problème persiste, contacter votre revendeur.

RÉGLAGE CÂBLE MARCHÉ ARRIÈRE



6.4

En position "embrayé", en cas de bruit anormal ou lorsque les fraises ne tournent pas, régler le câble de marche arrière.



6.5

Arrêter la machine et débrancher la bougie.



6.6



A

Débloquer l'écrou du tendeur de câble de la manette inverseur de marche.



B

Régler le tendeur jusqu'à obtenir un jeu de 5 mm à l'extrémité du levier.



C

Rebloquer l'écrou.

Rebrancher la bougie.

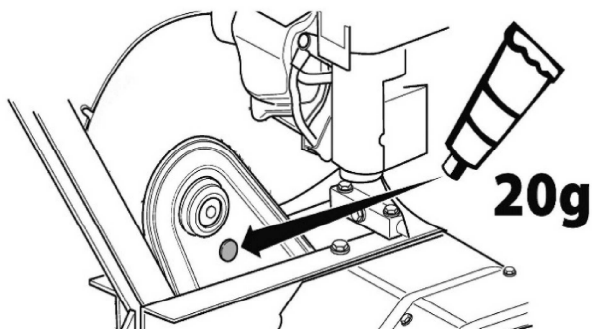
Démarrer la machine et essayer de nouveau.

Si le problème persiste, contacter votre revendeur.

ENTRETIEN PÉRIODIQUE (à faire réaliser par un atelier agréé)

GRAISSAGE TRANSMISSION

Période : 50 h maximum ou 1/an avant l'hivernage



- 1- Retirer le bouchon en partie supérieure de la transmission
- 2- Ajouter 20 g de graisse au lithium en tube
- 3- Remettre le bouchon
- 4- Faire tourner les fraises pendant 30 secondes

EN

DE

FR

ES

IT

NL

PROGRAMME D'ENTRETIEN (à faire réaliser par un atelier agréé)

Premier mois ou 20 heures

- Renouveler l'huile moteur
- Nettoyer le filtre à air (1)

Tous les 3 mois ou 50 heures

- Renouveler l'huile moteur

Tous les 6 mois ou 100 heures

- Nettoyer la coupelle de décantation
- Nettoyer le pare-étincelles
- Nettoyer la bougie d'allumage

Tous les ans ou 300 heures

- Remplacer la bougie d'allumage
- Nettoyer le réservoir de carburant et le filtre à carburant
- Vérifier – ajuster le régime de ralenti (2)
- Vérifier – ajuster le jeu des soupapes (2)

Après toutes les 500 heures

- Nettoyer la chambre de combustion (2)

Tous les 2 ans

- Vérifier le tuyau de carburant (remplacer si nécessaire) (2)

NOTE :

(1) Entretien le filtre à air plus fréquemment lors de l'utilisation dans des endroits poussiéreux

(2) Ces opérations doivent être confiées à un atelier agréé, à moins que l'utilisateur ne possède les outils nécessaires et ne soit mécaniquement qualifié

CONSIGNAS DE SEGURIDAD

Prestar especial atención a las indicaciones precedidas de las menciones siguientes:

EN



ATENCIÓN: Indica una alta probabilidad de lesiones corporales graves, e incluso riesgo de muerte si no se siguen las instrucciones

DE

PRECAUCIÓN: Indica una posibilidad de lesiones corporales o de deterioro del equipo si no se siguen las instrucciones

FR

NOTA: Proporciona información útil

ES



Este símbolo recomienda prudencia al realizar ciertas operaciones

En caso de problemas o para cualquier pregunta relativa a la máquina, diríjase a un concesionario autorizado

IT



ATENCIÓN: Esta máquina se ha concebido para garantizar un servicio seguro y fiable en condiciones de uso conformes con las instrucciones. Antes de utilizar la máquina, lea y asimile el contenido de este manual. En su defecto, podría verse expuesto a lesiones y el equipo podría resultar dañado

NL

Formación / informaciones:

- Familiarizarse con el uso correcto y los mandos antes de utilizar la máquina.

Es conveniente saber detener el motor rápidamente.

- La máquina debe utilizarse siempre de acuerdo con las recomendaciones indicadas en el manual de instrucciones.

- No olvidar que el usuario es responsable de los accidentes o fenómenos peligrosos que ocurran a las demás personas o a sus bienes. Es su responsabilidad evaluar los riesgos potenciales del terreno a trabajar y tomar todas las precauciones necesarias para garantizar su seguridad, en particular en las pendientes, los suelos accidentados, resbaladizos o blandos.

- No permitir en ningún caso que los niños o las personas no familiarizadas con estas instrucciones utilicen la máquina. Las normativas locales pueden establecer una edad mínima del usuario de la máquina.

- No trabajar en ningún caso en presencia de personas, en particular niños o animales, que se encuentren en un radio de 20 metros en torno a la máquina; el usuario debe permanecer imperativamente al mando de los manillares.

- No utilizar la máquina tras haber ingerido medicamentos o sustancias que se considere que pueden perjudicar la capacidad de reflejos y de vigilancia.

- Prestar especial atención en terrenos duros, ya que la máquina tendrá tendencia a ser mucho menos estable que en terrenos cultivados.

- Durante el trabajo, llevar siempre calzado resistente y antideslizante, y pantalones largos y ceñidos. No utilizar la máquina cuando se esté descalzo o se lleven sandalias. Recomendamos el uso de protectores auditivos.

- Utilizar la máquina para su uso previsto, es decir, el cultivo del suelo. Cualquier otro uso puede resultar peligroso o provocar el deterioro de la máquina.

Preparación.

- Inspeccionar minuciosamente la zona en la que vaya a utilizarse la máquina y eliminar todos los objetos que puedan ser proyectados por la misma (piedras, cables, cristales, objetos de metal...).

- Antes de utilizar la máquina, realizar siempre un control visual de la misma para garantizar que las herramientas y los deflectores no estén usados ni estropeados. Reemplazar las piezas usadas o estropeadas.

- Si la máquina está provista de un botón de parada del motor, mantener los cables eléctricos de parada del motor en buen estado de manera que se garantice la parada del motor.

- Verificar la ausencia de fugas de líquido (gasolina, aceite...).

- No utilizar la máquina sin guardabarros o tapas de protección y asegurarse de que todos los dispositivos de fijación estén bien apretados.

Uso:

- Está prohibido transportar personas con la máquina.

- Arrancar el motor con precaución, respetando las instrucciones del fabricante y manteniendo los pies alejados de la(s) herramienta(s).

- Detener el motor cuando la máquina no esté bajo vigilancia.

- Caminar con la máquina, pero no correr con ella en ningún caso.

- Tirar de la máquina hacia uno mismo o invertir el sentido de la marcha (en caso de que esta opción esté disponible) con mucha precaución.

- Conservar la distancia de seguridad en relación con las herramientas rotativas, en función de la longitud del manillar.

- No colocar las manos ni los pies cerca de los elementos en rotación o debajo de ellos.

- En caso de:

- vibración anómala

- bloqueo,

- problema de embrague

- choque con un objeto extraño

- deterioro del cable de parada del motor (según modelo),

- detener el motor inmediatamente (si el cable de parada del motor está cortado, accionar el mando del estérter, tal y como se describe en el capítulo "arranque del motor" para detener el motor), dejar que la máquina se enfríe, desenchufar el cable de bujía, inspeccionar la máquina y ponerse en contacto con un reparador autorizado para que efectúe las reparaciones necesarias antes de volver a utilizar la máquina.

- Trabajar únicamente con la luz del día o con una luz artificial de buena calidad.

- No utilizar la máquina en pendientes superiores a 10° (17 %).

- Trabajar las pendientes en sentido transversal, nunca en ascenso o en descenso.

- En terrenos inclinados, asegurar correctamente los pasos, cambiar de dirección con mucha precaución.

- El uso de accesorios distintos de los recomendados puede hacer que la máquina sea peligrosa y ocasionar daños en la misma que no estarán cubiertos por la garantía.

Mantenimiento y almacenamiento:

Detener el motor y desconectar la bujía antes de realizar cualquier operación de limpieza, verificación, cambio de herramienta(s), ajuste o mantenimiento de la máquina.

- Detener el motor, desenchufar la bujía y utilizar guantes gruesos para cambiar la(s) herramienta(s).

- Mantener todas las tuercas y los tornillos apretados con el fin de garantizar unas condiciones de uso seguras.

- Para reducir los riesgos de incendio, mantener el motor, el silenciador y la zona de almacenamiento de gasolina libres de vegetación, exceso de grasa o cualquier otra materia susceptible de inflamarse.

- Reemplazar los silenciadores de escape

- No reparar las piezas. Reemplazar las piezas por piezas originales.

- Reemplazar las herramientas por lotes completos con el fin de preservar el equilibrio.

- Por su seguridad, no modificar las características de la máquina. No modificar los ajustes de regulación de velocidad del motor ni utilizar el motor a una velocidad excesiva. Es esencial realizar un mantenimiento regular para garantizar la seguridad y el mantenimiento del nivel de rendimiento.

- Dejar que el motor se enfríe antes de guardar la máquina en un local.

- Si la máquina está equipada de una batería, desconectarla antes de realizar cualquier operación de limpieza, verificación o almacenamiento invernal.

Atención, peligro, la gasolina es sumamente inflamable:

- Almacenar el carburante en recipientes especialmente previstos a este efecto. Llenar el depósito en el exterior únicamente y no fumar al realizar esta operación.

- No retirar en ningún caso el tapón del depósito de gasolina ni añadir gasolina mientras que el motor esté funcionando o esté caliente.

- Si se derrama gasolina por el suelo, no intentar arrancar el motor, sino alejar la máquina de esta zona y evitar provocar inflamaciones hasta que se hayan disipado los vapores de gasolina.

- Depositar la máquina en un lugar seco. No depositar la máquina en ningún caso en un local donde los vapores de gasolina puedan alcanzar una llama, una chispa o una fuente fuerte de calor.

- Colocar correctamente en su sitio los tapones del depósito y del alimentador de gasolina.

- Limitar la cantidad de gasolina en el depósito para reducir al mínimo las salpicaduras.

- No poner en funcionamiento el motor en un lugar viciado donde puedan acumularse los vapores de monóxido de carbono.

- El monóxido de carbono puede ser mortal. Asegurar una buena ventilación.

Desplazamiento / Manipulación / Transporte:

- Cualquier acción que se efectúe en la máquina, al margen del trabajo del suelo, debe realizarse con el motor parado y la bujía desenchufada.

- Cualquier desplazamiento (al margen del trabajo del suelo) debe efectuarse utilizando la rueda de transporte, tal y como se describe en el capítulo dedicado al desplazamiento de la máquina.

- Manipulación: no levantar la máquina solo. El peso de la máquina se indica en la placa de fabricante y al final de este manual. Utilizar un método de manutención adaptado al peso de la máquina y a la situación con el fin de garantizar la seguridad.

- La carga y la descarga de la máquina en un remolque debe efectuarse utilizando una rampa de carga adaptada. Estibar correctamente la máquina para un transporte con total seguridad.

- El transporte debe efectuarse con el motor parado y la bujía desenchufada, utilizando un remolque; no utilizar ningún otro medio de transporte

DEFINICIÓN DE LOS PICTOGRAMAS

ATENCIÓN
Peligro

ATENCIÓN
Herramientas rotativas

ATENCIÓN
Leer el manual de uso.

ATENCIÓN
Consultar el manual de uso y sacar la bujía antes de realizar cualquier intervención

ATENCIÓN
No utilizar sin protector (elementos giratorios)

Levar un casco antirruído

Control de gas (según motorización)

1 – Rápido
2 – Lento
3 – Parada

Motor de arranque



Sistema de fusibles

●● Parada
-● Marcha
●● Parada

Selección de velocidad (opcional)

2 Marcha adelante velocidad rápida
N Punto muerto
R Marcha atrás
N Punto muerto
1 Marcha adelante velocidad lenta

2 Marcha adelante velocidad rápida
N Punto muerto
R Marcha atrás
N Punto muerto
1 Marcha adelante velocidad lenta

1 2

1 – Marcha atrás
2 – Marcha hacia adelante

Palanca de embrague

Desembragado
Embragado



No tocar las partes calientes



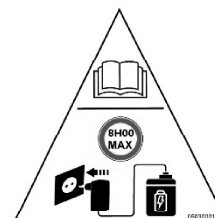
Los gases de escape son peligrosos
No utilizar la máquina en un lugar mal ventilado



Apagar el motor antes de rellenar el depósito



Prohibido fumar, hacer fuego o acercarse al fuego



Carga de la batería 8 HORAS MÁXIMO

EN

DE

FR

ES

IT

NL



Pictogramas presentes o no en función del modelo de la máquina

INFORMACIÓN TÉCNICA

Modelo de máquina	TF 225	Nivel de presión acústica en el puesto de conducción (EN709 : 1997 / A4 : 2009)	dB(A)	83.5
Peso	kg 46	Incertidumbre de la medida	dB(A)	1
Modelo de motor	R180	Nivel de potencia acústica medida (EN709 : 1997 / A4 : 2009)	dB(A)	96.3
Potencia neta * para un régimen motor	KW 3.5 tr/min 3600	Incertidumbre de la medida	dB(A)	1
Potencia neta * Régimen motor nominal	KW 3.3 tr/min 3300	Nivel de vibración en las manos del operador (EN709 : 1997 / A4 : 2009)	m/s ²	5.1
Nivel de potencia acústica garantizado	dB(A) 98	Incertidumbre de la medida	m/s ²	2

* La potencia del motor indicada en este documento es una potencia neta obtenida mediante pruebas de un motor de serie según la norma SAE J 1349 a una velocidad de rotación determinada. La potencia de otro motor de producción puede ser diferente a la de este valor indicado. La potencia real de un motor instalado en una máquina dependerá de diferentes factores: la velocidad de rotación, las condiciones de temperatura, la humedad, la presión atmosférica, el mantenimiento, y otros.

EN

DE

FR

ES

IT

NL

De acuerdo con su política de mejora continua, el constructor no garantiza contractualmente la integridad de este manual y se reserva el derecho de modificar, sin previo aviso, las especificaciones de sus máquinas

Desembalaje

1.1



ATENCIÓN:

Un montaje inadecuado de esta motozadora puede provocar graves lesiones. Asegúrese de seguir al pie de la letra todas las instrucciones



ATENCIÓN:

Vigilar de no cortar los cables y de no rayar la pintura de la maquina al cortar las aristas de la caja

Rep.	Contenido de la caja
A	Bloque motor
B	Rejilla de escape **
C	Carpeta de manuales + tornillos *
D	Espolón de profundidad de arado
E	Manillar derecho
F	Manillar izquierdo
G	Separador del manillar
H	Rueda de transporte
I	Aletas de protección
J	Fresas
K	Fresas adicionales *
L	Disco protector de plantas *
M	Cubierta del brazo *

* Según versión

** Según motorización



1.2

Reglaje de la máquina



ATENCIÓN:

Un montaje inadecuado de esta motozadora puede provocar graves lesiones. Asegúrese de seguir al pie de la letra todas las instrucciones

1 2 Montaje del espolón de profundidad

3 Montaje del soporte del manillar

4 5 6 Montaje del manillar

7 8 9

10 Ajuste del espolón de profundidad

11 12 Montaje de la rueda de transporte

13 14 Montaje de la palanca del gas

15 16 17 Montaje de la palanca de embrague y palanca de marcha atrás

18 Colocación de abrazaderas de cable

19 Montaje de las aletas de protección

20 21 Montaje de herramientas



ATENCIÓN:

Después de montar completamente la máquina, apriete firme pero moderadamente todos los tornillos

NOTA:

Todas las operaciones de desmontaje deberán realizarse en un taller autorizado



1.3

Descripción de los elementos

- 1 – Palanca del gas
- 2 – Motor
- 3 – Rueda de transporte
- 4 – Herramientas rotativas
- 5 – Contactor de encendido/parada **
- 6 – Aletas de protección
- 7 – Espolón de profundidad de arado
- 8 – Cubierta de la correa
- 9 – Asa de regulación del manillar
- 10 – Palanca de embrague
- 11 – Palanca de marcha atrás

** Según motorización



1.4

Placa de identificación de la máquina

- A – Potencia nominal
- B – Peso en kilogramos
- C – Número de serie
- D – Año de fabricación
- E – Tipología de la máquina
- F – Nombre y dirección del fabricante
- G – Identificación CE
- H – 30 = Motozadora con motor térmico



1.5

Rueda de transporte

A = Posición de trabajo

B = Posición de transporte

PUESTA EN MARCHA DE LA MÁQUINA



2.1

Montaje del sistema de fusibles en el manillar



2.2

Llenado de aceite y comprobación de nivel

- Comprobar el nivel de aceite del cárter del motor y rellenarlo si fuese necesario
- Rellenar la estructura del filtro de aire hasta la marca OIL LEVEL con el mismo aceite



2.3

Llenado de gasolina

Super, o sin plomo, o SP95 E 10




2.4

Abrir la llave de carburante y poner el estérter en la posición A



2.5

Acelerador

Mover la palanca hacia: 



2.6

Sistema de fusibles

Poner el sistema de fusibles en: ON



2.7

Tirar del asa del lanzador



Una vez puesta en marcha la máquina, no moverse de la zona de seguridad



2.8

Estérter

Poner el estérter en la posición B

EN

DE

FR

ES

IT

NL

USO

Esta máquina está pensada para:

- Preparar la tierra para plantar.
- Cuidar plantaciones y parterres de flores.

Esta máquina no está destinada a usos profesionales.



Es imperativo soltar el embrague antes de utilizar el cambio de marchas.



Respete una zona de seguridad de 20 m de radio alrededor de la máquina.



Una vez puesta en marcha la máquina, no deje girar el motor en vacío. Empiece a trabajar lo antes posible accionando el mando de embrague de las herramientas. Calentar el motor no sirve de nada. Hacerlo girar en vacío durante más de 2 minutos sin embragar las herramientas puede desgastar considerablemente el sistema de embrague y su correa.



3.1

Marcha adelante



3.2

Marcha atrás



El uso de la marcha atrás es peligroso. Asegúrese de que no haya ningún obstáculo detrás suyo y reduzca las revoluciones del motor antes de embragar.

PARADA



4.1


Parada herramientas fresas

Soltar la manija de embrague



4.2

Reducir los gases

Poner el mecanismo del acelerador en: 



4.3

Parada motor

Poner el sistema de fusibles en: OFF



4.4

Abrir la llave del carburante

CONTROLES HABITUALES

Antes de poner en marcha el motor, verifique los siguientes puntos:

- Que no haya tornillos ni pernos flojos o rotos
- Que no haya escapes de carburante y de aceite del motor
- La seguridad del entorno



2.2

Nivel de aceite motor limpio



2.3

Nivel de carburante suficiente



4.5

Comprobar la limpieza del filtro de aire y el nivel de aceite



No utilice disolventes inflamables para limpiar el elemento espumoso del filtro de aire

TRANSPORTE Y MANIPULACIÓN

EN



Transporte



Parar el motor

DE

FR



Poner la rueda en posición de transporte

ES



Colocar el manillar en posición baja para facilitar el desplazamiento de la máquina



Con ayuda del manillar, levantar las fresas del suelo y avanzar

- **Manipulación:** no levantar la máquina solo. El peso de la máquina se indica en la placa de fabricante y al final de este manual. Utilizar un método de manipulación adaptado al peso de la máquina y a la situación con el fin de garantizar la seguridad

- La carga y la descarga de la máquina en un remolque debe efectuarse utilizando una rampa de carga adaptada

- Estibar correctamente la máquina para un transporte con total seguridad

IT

AJUSTE DEL CABLE DE EMBRAGUE

NL



En posición "embragado", cuando el avance se realice por sacudidas o cuando las fresas no funcionen, ajustar el cable de embrague.



Detener la máquina y desenchufar la bujía.



Desbloquear la tuerca del tensor de cable de embrague.



Ajustar el tensor hasta obtener un juego de 20 mm en el extremo de la palanca de embrague.



Volver a bloquear la tuerca.

Volver a enchufar la bujía.

Arrancar la máquina e intentarlo de nuevo.

Si el problema persiste, contactar a su distribuidor.

AJUSTE DEL CABLE DE MARCHA ATRÁS



En posición "embragado", en caso de ruido anormal o cuando las fresas no funcionen, ajustar el cable de marcha atrás.



Detener la máquina y desenchufar la bujía.



Desbloquear la tuerca del tensor de cable de la palanca inversor de marcha.



Ajustar el tensor hasta obtener un juego de 5 mm en el extremo de la palanca.



Volver a bloquear la tuerca.

Volver a enchufar la bujía.

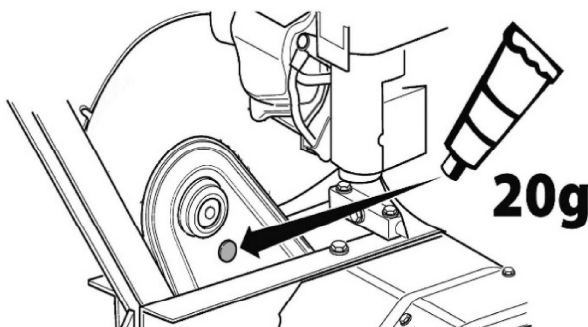
Arrancar la máquina e intentarlo de nuevo.

Si el problema persiste, contactar a su distribuidor.

MANTENIMIENTO PERIÓDICO (a cargo de un taller autorizado)

ENGRASADO DE LA TRANSMISIÓN

Período: 50 h máximo o 1 año antes de la invernada



- 1- Retirar el tapón de la parte superior de la transmisión
- 2- Agregar 20 g de grasa con base de litio en tubo
- 3- Volver a poner el tapón
- 4- Hacer girar las fresas durante 30 segundos

PROGRAMA DE MANTENIMIENTO (a cargo de un taller autorizado)

Primer mes o 20 horas

- Cambiar el aceite del motor
- Limpiar el filtro de aire(1)

Cada 3 meses o 50 horas

- Cambiar el aceite del motor

Cada 6 meses o 100 horas

- Limpiar la cubeta de decantación
- Limpiar el parachispas
- Limpiar la bujía de encendido

Todos los años o 300 horas

- Reemplazar la bujía de encendido
- Limpiar el depósito de carburante y el filtro de carburante
- Verificar – ajustar el régimen de frenado (2)
- Verificar - ajustar el juego de válvulas (2)

Cada 500 horas

- Limpiar la cámara de combustión (2)

Cada 2 años

- Verificar el tubo de combustible (reemplazar si es necesario) (2)

NOTA:

- (1) Realizar el mantenimiento del filtro de aire con mayor frecuencia si se utiliza el equipo en lugares polvorientos
- (2) Estas operaciones deben realizarse en un taller autorizado, a menos que el usuario posea las herramientas necesarias y sea mecánicamente calificado

EN

DE

FR

ES

IT

NL

DISPOSIZIONI DI SICUREZZA

Prestare particolare attenzione alle indicazioni precedute dalle parole seguenti:

EN



ATTENZIONE: segnala una forte probabilità di lesioni personali gravi o un pericolo mortale in caso di mancata osservanza delle istruzioni

DE

PRECAUZIONE: segnala una possibilità di lesioni personali o deterioramento dell'apparecchiatura in caso di mancata osservanza delle istruzioni

FR

NOTA: fornisce informazioni utili

ES



Questo simbolo richiama alla prudenza durante determinate operazioni

IT



ATTENZIONE: la macchina è ideata per garantire un servizio sicuro e affidabile in condizioni di utilizzo conformi alle istruzioni. Prima di utilizzare la macchina, leggere e comprendere il contenuto di questo manuale. In caso contrario, esiste il rischio di lesioni e di danni all'apparecchiatura

NL

Formazione / Informazioni:

- Informarsi sull'utilizzo corretto e sui comandi prima di utilizzare la macchina.
- Imparare ad arrestare il motore rapidamente.
- La macchina deve essere sempre utilizzata conformemente alle raccomandazioni indicate nel manuale di istruzioni.
- Non dimenticare che l'utente è responsabile di incidenti o eventi pericolosi che potrebbero interessare altre persone o i loro beni. È responsabilità dell'utente valutare i rischi potenziali del terreno da lavorare e prendere tutte le precauzioni necessarie per garantire la sicurezza, in particolare su terreni in pendenza, accidentati, scivolosi o mobili.
- Evitare sempre che bambini o persone che non conoscono queste istruzioni utilizzino la macchina. Le normative locali possono stabilire un'età minima per l'utente.
- Non lavorare mai in presenza di persone, in particolare bambini, o animali in un raggio di 20 metri dalla macchina; l'utente deve restare obbligatoriamente ai comandi delle stegole.
- Non utilizzare la macchina dopo aver assunto farmaci o sostanze che potrebbero compromettere la capacità di riflesso e vigilanza.
- Su un terreno duro, prestare maggiore attenzione perché la macchina tenderà a essere molto meno stabile rispetto a un terreno coltivato.
- Durante il lavoro, indossare sempre calzature resistenti, antiscivolo e pantaloni lunghi e stretti. Non utilizzare la macchina a piedi scalzi o con i sandali. Si consiglia di indossare protezioni acustiche.
- Utilizzare la macchina per l'impiego per il quale è stata concepita, vale a dire la coltura del suolo. Qualsiasi altro utilizzo può rivelarsi pericoloso o comportare un deterioramento della macchina.

Preparazione:

- Ispezionare minuziosamente l'area sulla quale verrà utilizzata la macchina ed eliminare tutti gli oggetti che potrebbero essere lanciati dalla macchina (pietre, fili, vetro, oggetti di metallo...).
- Prima dell'uso, procedere sempre a un controllo visivo della macchina per accertarsi che gli attrezzi e i deflettori non siano usurati né danneggiati. Sostituire i componenti usurati o danneggiati.

- Se la macchina è dotata di un pulsante di spegnimento motore, mantenere i cavi elettrici del comando di spegnimento in buono stato in modo da garantire che il motore si spenga.

- Verificare l'assenza di perdite di liquidi (benzina, olio...).

- Non utilizzare la macchina senza parafrangente o calotte protettive e accertarsi che tutti i dispositivi di fissaggio siano correttamente serrati.

Uso:

- Non trasportare persone sulla macchina.

- Avviare il motore con cautela, rispettando le istruzioni del costruttore e tenendo i piedi lontani dagli attrezzi

- Spegnerne il motore quando la macchina è senza sorveglianza

- Procedere lentamente, non correre con la macchina.

- Tirare la macchina verso di sé o invertire il senso di marcia (se possibile) con molta cautela.

- Mantenere la distanza di sicurezza rispetto agli attrezzi rotanti, fornita dalla lunghezza del manubrio.

- Non posizionare le mani o i piedi vicino o sotto gli elementi in rotazione.

- In caso di:

- Vibrazione anomala
- Blocco
- Problema di frizione
- Urto con un oggetto estraneo
- Deterioramento del cavo di spegnimento motore (secondo il modello)

spegnerne immediatamente il motore (se il cavo di arresto motore è tagliato, azionare il comando dello starter come descritto nel paragrafo "Avvio motore" per spegnere il motore), lasciare raffreddare la macchina, scollegare il cavo della candela, ispezionare la macchina e far eseguire le riparazioni necessarie da un riparatore convenzionato prima di qualsiasi nuovo utilizzo.

- Lavorare unicamente alla luce del giorno o con una luce artificiale di buona qualità.

- Non utilizzare la macchina su pendenze superiori a 10° (17%).

- Lavorare sulle pendenze in senso trasversale, mai in salita o in discesa.

- Sui terreni in pendenza procedere con cautela e cambiare direzione con la massima attenzione.

- L'uso di accessori diversi da quelli raccomandati può rendere pericolosa la macchina, e provocare danni alla macchina che non saranno coperti dalla garanzia.

Manutenzione / Stoccaggio:

- Spegnerne il motore e scollegare la candela prima di ogni operazione di pulizia, di controllo, di cambio degli attrezzi, di regolazione o di manutenzione della macchina.

- Spegnerne il motore, scollegare la candela e sostituire gli attrezzi utilizzando guanti spessi.

- Lasciare serrati tutti i dadi e le viti per garantire condizioni di utilizzo sicure.

- Per ridurre il rischio d'incendio, accertarsi che il motore, il silenziatore e la zona di stoccaggio della benzina siano privi di vegetali, grasso in eccesso o qualsiasi altro materiale infiammabile.

- Far sostituire il silenziatore di scappamento.

- Non riparare i componenti. Far sostituire i componenti con pezzi originali.

- Sostituire gli attrezzi con lotti completi per mantenere l'equilibrio.

- Per motivi di sicurezza non modificare le caratteristiche della macchina. Non modificare i valori di regolazione della velocità del motore e non utilizzare il motore a una velocità eccessiva.

Una manutenzione regolare è fondamentale per la sicurezza e il mantenimento del livello di prestazioni.

- Lasciar raffreddare il motore prima di riporre la macchina in un locale.

- Se la macchina è dotata di una batteria, scollegarla prima di ogni operazione di pulizia, di controllo o di stoccaggio invernale.

Attenzione – Pericolo: la benzina è altamente infiammabile:

- Conservare il carburante in appositi recipienti. Fare il pieno esclusivamente all'aperto e non fumare durante tale operazione.

- Non rimuovere il tappo del serbatoio di benzina né aggiungere benzina mentre il motore è in funzione o quando è ancora caldo.

- In caso di versamento di benzina al suolo, non tentare di avviare il motore, ma allontanare la macchina da questa zona ed evitare di provocare combustioni fino a quando i vapori della benzina non si sono dissipati.

- Riporre la macchina in un luogo asciutto. Non riporre la macchina in un locale in cui i vapori della benzina potrebbero raggiungere una fiamma, una scintilla o una forte fonte di calore.

- Riposizionare correttamente i tappi del serbatoio e della tanica di benzina.

- Limitare la quantità di benzina presente nel serbatoio per ridurre al minimo gli schizzi.

- Non lasciare in funzione il motore in un ambiente confinato in cui possono accumularsi vapori di monossido di carbonio.

- Il monossido di carbonio può essere letale. Garantire una buona aerazione.

Spostamento / Movimentazione / Trasporto:

- Qualsiasi azione sulla macchina, eccetto la lavorazione del terreno, deve essere eseguita a motore spento e candela scollegata.

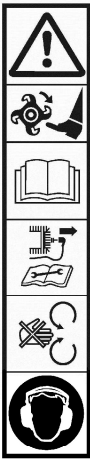
- Lo spostamento (fuori dal lavoro del terreno) deve essere realizzato utilizzando la ruota di trasporto come descritto nel paragrafo "spostamento".

- Movimentazione: non sollevare la macchina da soli. Il peso della macchina è indicato sulla targa del costruttore alla fine del presente manuale. Utilizzare un metodo di movimentazione adatto al peso della macchina e alla situazione al fine di garantire la sicurezza.

- Il carico e lo scarico della macchina in un rimorchio devono essere eseguiti con l'ausilio di una rampa di carico adeguata. Sistemare correttamente la macchina per un trasporto in assoluta sicurezza.

- Il trasporto deve essere eseguito con il motore spento e la candela scollegata, con l'ausilio di un rimorchio; non utilizzare alcun altro mezzo di trasporto.

DEFINIZIONE DEI PITTOGRAMMI



ATTENZIONE
Pericolo

ATTENZIONE
Attrezzi rotanti

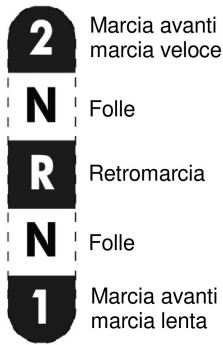
ATTENZIONE
Leggere il manuale di istruzioni

ATTENZIONE
Consultare il manuale d'uso e posare la candela prima di qualsiasi intervento

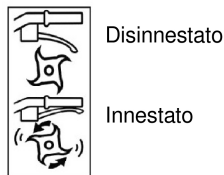
ATTENZIONE
Non utilizzare senza dispositivi di protezione (elementi rotanti)

Indossare cuffie antirumore

Selezione della velocità di marcia (opzionale)



Leva di innesto



Non toccare superfici calde



I gas di scarico sono pericolosi
Non utilizzare in un luogo non areato correttamente



Spegnere il motore prima di rifare il pieno

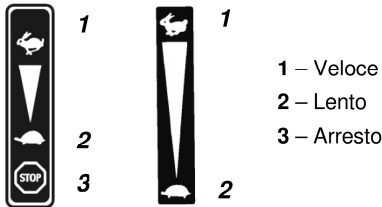


Vietato fumare,
accendere fuochi o avvicinarsi ad essi



Ricarica della batteria
MASSIMO 8 ORE

Comando acceleratore (secondo la motorizzazione)

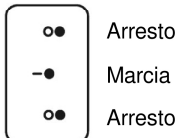


1 – Veloce
2 – Lento
3 – Arresto

Sistema di avviamento



Isolamento del circuito



Pittogrammi presenti o assenti a seconda del modello della macchina

INFORMAZIONI TECNICHE

Modello macchina	TF 225	Livello di pressione sonora al posto di guida (EN709 : 1997 / A4 : 2009)		dB(A)	83.5
Peso	kg 46	Incertezza di misura		dB(A)	1
Modello motore	R180	Livello di potenza sonora misurata (EN709 : 1997 / A4 : 2009)		dB(A)	96.3
Potenza netta* per un regime motore di	KW 3.5 iri/min 3600	Incertezza di misura		dB(A)	1
Potenza nominale Regime motore nominale	KW 3.3 giri/min 3300	Livello delle vibrazioni alle mani dell'operatore (EN709 : 1997 / A4 : 2009)		m/s ²	5.1
Livello di potenza sonora garantita	dB(A) 98	Incertezza di misura		m/s ²	2

* La potenza del motore indicata in questo documento è una potenza netta ottenuta mediante test di un motore della serie secondo la norma SAE J 1349 a una data velocità di rotazione. La potenza di un altro motore della produzione può essere diversa dal valore qui indicato. La potenza reale di un motore installato su una macchina dipende da vari fattori come la velocità di rotazione, le condizioni di temperatura, di umidità, di pressione atmosferica, di manutenzione e altre.

EN

DE

FR

ES

IT

NL

EN

DE

FR

ES

IT

NL

NOTA: al fine di un miglioramento permanente, il costruttore precisa che l'intero manuale non è contrattuale e si riserva il diritto di modificare senza preavviso le specifiche delle proprie macchine

Disimballaggio



1.1



ATTENZIONE: un montaggio inadeguato della motozappa può causare gravi ferite. Assicurarsi di seguire attentamente tutte le istruzioni



ATTENZIONE: prestare attenzione a non tranciare i cavi o a rigare la vernice della macchina tagliando i bordi della cassa

Rif.	Contenuto della cassa
A	Blocco motore
B	Griglia di scarico **
C	Sacchetto con istruzioni + viti *
D	Sperone registrabile
E	Manubrio destro
F	Manubrio sinistro
G	Distanziale manubrio
H	Ruota di trasporto
I	Alette di protezione
J	Frese
K	Frese aggiuntive *
L	Dischi proteggi piante *
M	Copertura del braccio di sostegno *

* Secondo la versione

** Secondo la motorizzazione



1.2

Montaggio della macchina



ATTENZIONE: un montaggio inadeguato della motozappa può causare gravi ferite. Assicurarsi di seguire attentamente tutte le istruzioni

1 2 Montaggio sperone registrabile

3 Montaggio del supporto manubrio

4 5 6 Montaggio del manubrio

7 8 9

10 Serraggio dello sperone registrabile

11 12 Montaggio della ruota di trasporto

13 14 Montaggio del comando gas

15 16 17 Montaggio della leva di innesto e della leva di retromarcia

18 Montaggio serracavi

19 Montaggio delle alette di protezione

20 21 Montaggio degli attrezzi



ATTENZIONE: dopo il montaggio completo della macchina, avvitare saldamente ma senza stringere troppo tutte le viti

NOTA:

tutte le operazioni di smontaggio devono essere eseguite da un'officina convenzionata



1.3

Descrizione degli elementi

- 1 – Comando gas
- 2 – Motore
- 3 – Ruota di trasporto
- 4 – Attrezzi rotanti
- 5 – Contattore avvio/arresto **
- 6 – Alette di protezione
- 7 – Sperone registrabile
- 8 – Copertura della cinghia
- 9 – Leva di regolazione manubrio
- 10 – Leva frizione
- 11 – Leva retromarcia

** Secondo la motorizzazione



1.4

Piastrina di identificazione della macchina

- A – Potenza nominale
- B – Massa in kg
- C – Numero di serie
- D – Anno di produzione
- E – Tipo di macchina
- F – Nome e indirizzo del costruttore
- G – Identificativo CE
- H – 30 = Motozappa a motore termico



1.5

Ruota di trasporto

A = Posizione di lavoro

B = Posizione di trasporto

AVVIO DELLA MACCHINA


 ← **Montaggio dell'isolamento del circuito sul manubrio**

2.1


 ← **Pieno d'olio e livello**

2.2

- Riempire e controllare il livello dell'olio del carter del motore
- Riempire la scatola del filtro dell'aria fino al riferimento OIL LEVEL con lo stesso olio

 ← **Pieno di benzina**
Super o senza piombo o SP95 E 10


2.3

 ← **Aprire il rubinetto della benzina e posizionare lo starter su A**

2.4

 ← **Acceleratore**

2.5

Posizionare la leva verso: 

 ← **Isolamento del circuito**

2.6


Posizionare l'isolamento del circuito su: **ON**

 ← **Tirare la leva di avviamento**

2.7



Durante l'avvio della macchina, restare sempre nella zona di sicurezza

 ← **Starter**

2.8

Posizionare lo starter su **B**

EN

DE

FR

ES

USO

Questa macchina è destinata:

- Alla preparazione del terreno per le attività di piantatura.

- Alla cura delle piantagioni e delle aiuole.

Questa macchina non è destinata all'uso professionale.



È imperativo rilasciare la frizione prima di usare l'invertitore di marcia.



Mantenere un'area di sicurezza di 20 m di raggio attorno alla macchina.



Dopo l'avviamento, non far girare il motore a vuoto, iniziare il lavoro non appena possibile azionando il comando di innesto degli attrezzi. È inutile far riscaldare il motore, farlo girare a vuoto per più di 2 minuti senza innestare gli attrezzi può provocare danni gravi al sistema di innesto e alla cinghia.



3.1

← **Marcia avanti**



3.2

← **Retromarcia**



L'uso della retromarcia è pericoloso. Assicuratevi che non vi sia alcun ostacolo dietro di voi e riducete il regime del motore prima di ingranare.

IT

NL

ARRESTO


 ← **Arresto attrezzi fresa**

4.1

Rilasciare la maniglia della frizione

 ← **Ridurre i gas**

4.2

Posizionare il comando dell'acceleratore su: 

 ← **Arresto motore**

4.3

Posizionare l'isolamento del circuito su: **OFF**



4.4

← **Chiudere il rubinetto della benzina**

CONTROLLI QUOTIDIANI

Prima di avviare il motore, verificare i punti seguenti:

- Assenza di bulloni e dadi svitati o rotti
- Assenza di perdite di benzina e olio motore
- Sicurezza dell'ambiente



2.2

← **Livello dell'olio motore pulito**



2.3

← **Livello di benzina sufficiente**



4.5

← **Pulizia della cartuccia del filtro dell'aria e livello dell'olio**



Non utilizzare solventi infiammabili per pulire l'elemento in espanso del filtro dell'aria

SPOSTAMENTO E MOVIMENTAZIONE

EN



5.1

Spostamento



Spegnere il motore



Regolare il manubrio in posizione bassa per facilitare lo spostamento della macchina

- **Manutenzione:** non sollevare la macchina da soli. Il peso della macchina è indicato sulla targa del costruttore alla fine del presente manuale. Utilizzare un metodo di movimentazione adatto al peso della macchina e alla situazione al fine di garantire la sicurezza

DE

FR

ES



Mettere la ruota in posizione di spostamento



Con l'ausilio del manubrio, sollevare le frese da terra e avanzare

- Il carico e lo scarico della macchina in un rimorchio devono essere eseguiti con l'ausilio di una rampe di carico adeguata

- Sistemare correttamente la macchina per un trasporto in assoluta sicurezza

IT

REGOLAZIONE DEL CAVO FRIZIONE

NL



6.1

In posizione "innestato", quando la macchina avanza a scatti o quando le frese non girano, regolare il cavo frizione.



6.3



Allentare il dado del tendicavo della frizione.



Stringere di nuovo il dado.

Ricollegare il cavo candela.

Avviare la macchina e provare di nuovo.

Qualora il problema non fosse risolto, contattare il rivenditore.



6.2

Arrestare la macchina e scollegare il cavo candela.



Regolare il tenditore fino ad ottenere un gioco di 20 mm all'estremità della leva frizione.

REGOLAZIONE DEL CAVO RETROMARCIA



6.4

In posizione "innestato", se si verifica un rumore anormale o se le frese non girano, regolare il cavo retromarcia.



6.6



Allentare il dado del tendicavo della leva invertitore di marcia.



Stringere di nuovo il dado.

Ricollegare il cavo candela.

Avviare la macchina e provare di nuovo.

Qualora il problema non fosse risolto, contattare il rivenditore.



6.5

Arrestare la macchina e scollegare il cavo candela.

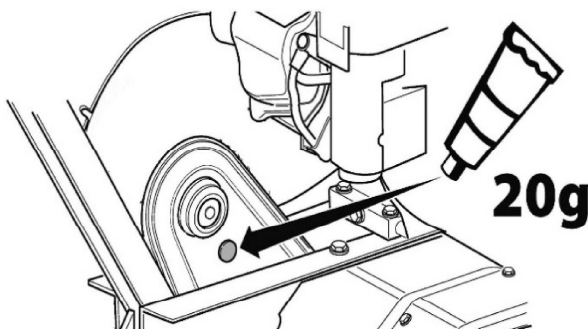


Regolare il tenditore fino ad ottenere un gioco di 5 mm all'estremità della leva.

MANUTENZIONE PERIODICA (da far eseguire a un'officina autorizzata)

LUBRIFICAZIONE TRASMISSIONE

Periodo: 50 h al massimo o 1 anno prima dello svernamento



- 1- Togliere il tappo dalla parte superiore della trasmissione
- 2- Aggiungere 20 g di grasso al litio in tubetto
- 3- Rimettere il tappo
- 4- Far funzionare le frese per 30 secondi

PROGRAMMA DI MANUTENZIONE (da far eseguire a un'officina autorizzata)

Primo mese o prime 20 ore

- Cambiare l'olio motore
- Pulire il filtro dell'aria (1)

Ogni 3 mesi o ogni 50 ore

- Cambiare l'olio motore

Ogni 6 mesi o ogni 100 ore

- Pulire la vaschetta di decantazione
- Pulire il parascintille
- Pulire la candela di accensione

Tutti gli anni o ogni 300 ore

- Sostituire la candela di accensione
- Pulire il serbatoio del carburante e il filtro del carburante
- Controllare – regolare il minimo (2)
- Controllare – regolare il gioco delle valvole (2)

Ogni 500 ore

- Pulire la camera di combustione (2)

Ogni 2 anni

- Controllare il tubo del carburante (sostituirlo se necessario) (2)

NOTA:

(1) Pulire il filtro dell'aria più frequentemente in caso di utilizzo in ambienti polverosi

(2) Queste operazioni devono essere affidate a un'officina autorizzata, a meno che l'utilizzatore non disponga degli strumenti necessari e non sia un meccanico qualificato

EN

DE

FR

ES

IT

NL

VEILIGHEIDSINSTRUCTIES

Schenk bijzondere aandacht aan de aanwijzingen die worden voorafgegaan door de volgende vermeldingen:

EN



OPGELET: geeft aan dat de kans op ernstige lichamelijke letsels groot is, en zelfs dat er sprake is van gevaar voor overlijden, als de instructies niet in acht worden genomen

DE

FR

WAARSCHUWING: geeft aan dat er een kans op lichamelijke letsels of beschadiging van de uitrusting bestaat, als de instructies niet in acht worden genomen

ES

OPMERKING: verstreckt nuttige informatie

IT

Neem bij problemen of voor vragen over de motorhakkrees contact op met een erkende dealer

NL



OPGELET: de machine werd ontworpen om veilig en betrouwbaar te werken in gebruiksomstandigheden die in overeenstemming zijn met de instructies. Voordat u uw machine gebruikt, moet u de inhoud van deze handleiding lezen en opnemen. Doet u dat niet, dan kunt u gewond raken en kan de uitrusting schade oplopen

Opleiding / voorlichting:

- Maak u vertrouwd met het juiste gebruik en de bedieningselementen, voordat u de machine gebruikt.

Leer de motor snel stilleggen.

- De machine moet altijd worden gebruikt overeenkomstig de aanbevelingen in de instructiehandleiding.

- Denk eraan dat de gebruiker verantwoordelijk is voor ongevallen of gevaarlijke fenomenen waarbij andere personen of hun goederen betrokken zijn. Het is zijn verantwoordelijkheid om de potentiële risico's van het te bewerken stuk grond te evalueren, en alle noodzakelijke voorzorgsmaatregelen te nemen om zijn veiligheid te garanderen, in het bijzonder op hellingen, onregelmatige grond, glibberige grond of losse grond.

- Laat kinderen of personen die deze instructies niet kennen, de machine nooit gebruiken. In de plaatselijke voorschriften kan een minimumleeftijd voor de gebruiker bepaald zijn.

- Werk nooit als er personen, in het bijzonder kinderen, of dieren aanwezig zijn in een straal van 20 meter rond de machine; het is immers absoluut noodzakelijk dat de gebruiker aan de stuurbomen blijft staan.

- Gebruik de machine niet na het innemen van geneesmiddelen of stoffen die ervoor bekendstaan het reactievermogen en de oplettendheid te doen afnemen.

- Wees op een hard stuk grond extra aandachtig, want de machine zal geneigd zijn om veel minder stabiel te zijn dan op een bebouwd stuk grond.

- Draag tijdens het werk altijd sterke antislipschoenen en een lange, nauwsluitende broek. Gebruik de machine niet op blote voeten of op sandalen. Wij raden aan om gehoorbeschermingen te dragen.

- Gebruik de machine waarvoor ze is bestemd, namelijk bewerking van de bodem. Elk ander gebruik kan gevaarlijk blijken te zijn of de machine beschadigen.

Vorbereitung:

- Bekijk uiterst aandachtig de zone waarop de machine moet worden gebruikt, en verwijder alle voorwerpen die door de machine kunnen worden weggeslingerd (stenen, draden, metalen voorwerpen, ...).

- Voer vóór gebruik altijd een visuele controle van de machine uit, om er zeker van te zijn dat de gereedschappen en de deflectoren niet versleten of beschadigd zijn. Zorg voor de vervanging van de versleten of beschadigde onderdelen.

- Is de machine uitgerust met een motorstopknop, houd de elektrische kabels voor het stilleggen van de motor dan in goede staat, zodat de motor gegarandeerd kan worden stilgelegd.

- Ga na of er geen vloeistof lekt (benzine, olie ...).

- Gebruik de machine niet zonder spatborden of beschermkappen en vergewis u ervan dat alle vastzetinrichtingen goed vastzitten.

Gebruik:

- Vervoer nooit personen op de machine.

- Start de motor voorzichtig volgens de instructies van de fabrikant, terwijl u uw voeten uit de buurt van (het) (de) gereedschap(pen) houdt.

- Leg de motor stil wanneer de machine onbewaakt is.

- Stap met de machine, nooit rennen.

- Trek de machine heel voorzichtig naar u toe of draai heel voorzichtig de bewegingsrichting om (indien beschikbaar).

- Respecteer de veiligheidsafstand ten opzichte van de draaiende gereedschappen, die word aangegeven door de lengte van het stuur.

- Plaats uw handen of uw voeten niet vlak bij of onder draaiende elementen.

- In geval van:

- abnormale trillingen,

- blokkering,

- probleem met de koppeling,

- botsing met een vreemd voorwerp,

- beschadiging van de kabel voor het

stilleggen van de motor (volgens model),

leg de motor onmiddellijk stil (als de kabel voor het stilleggen van de motor doorgesneden is, kan de motor worden stilgelegd door de bediening van de starter in te schakelen, zoals wordt beschreven in § "motor starten"), laat de machine afkoelen, koppel de bougie draad los, bekijk de machine aandachtig en gebruik de machine pas opnieuw nadat de noodzakelijke reparaties door een erkende reparateur uitgevoerd zijn.

- Werk uitsluitend bij daglicht of in kunstlicht van goede kwaliteit.

- Gebruik de machine niet op hellingen die steiler zijn dan 10° (17 %).

- Werk dwars op de hellingen, nooit naar boven of naar beneden.

- Op een hellend stuk grond moet u voor voldoende steunpunten zorgen en heel voorzichtig van richting veranderen.

- Accessoires gebruiken die niet zijn aanbevolen, kan de machine gevaarlijk maken en aan uw machine schade toebrengen die niet zal worden gedekt door uw garantie.

Onderhoud / opslag:

- Leg de motor stil en koppel de bougie los alvorens de machine te reinigen, te controleren, (een) gereedschap(pen) te vervangen, de machine in te stellen of te onderhouden.

- Leg de motor stil, koppel de bougie los en gebruik dikke handschoenen om (het) (de) gereedschap(pen) te vervangen.

- Zorg ervoor dat alle moeren en schroeven altijd goed vastzitten, om veilige gebruiksomstandigheden te garanderen.

- Om brandrisico te voorkomen, moet u de motor, de geluiddemper en de opslagzone voor de benzine vrijhouden van plantenresten, overtalig vet, of elke andere ontvlambare stof of voorwerp.

- Zorg voor de vervanging van de uitlaatdemper.

- Repareer de onderdelen niet. Laat ze vervangen door originele onderdelen.

- Vervang de werktuigen door complete kits, om het evenwicht te bewaren.

- Wijzig de kenmerken van uw machine niet voor uw eigen veiligheid. Wijzig de instellingen van het motortoerental niet en laat de motor niet draaien met een te hoog toerental. Het is van fundamenteel belang voor de veiligheid en het behoud van het prestatieniveau om de machine regelmatig te onderhouden.

- Laat de motor afkoelen voordat u de machine in een ruimte opbergt.

- Als de machine is uitgerust met een accu, ontkoppel deze van voordat u begint met reinigen, nakijken of de machine winterklaar maken.

Opgelet - Gevaar: benzine is licht ontvlambaar:

- Sla de brandstof op in speciaal daartoe voorziene reservoirs. Vul de machine alleen buiten met brandstof en rook niet terwijl u dat doet.

- Verwijder nooit de dop van de benzinetank of voeg nooit benzine toe terwijl de motor draait of zolang de motor warm is.

- Is er benzine gemorst op de grond, probeer de motor dan niet te starten maar haal de machine weg uit die zone en probeer geen ontbranding te veroorzaken zolang de benzinedampen niet zijn opgetrokken.

- Sla de machine op een droge plaats op. Sla de machine nooit op in een ruimte waar de benzinedampen een vlam, een vonk of een sterke warmtebron zouden kunnen bereiken.

- Plaats de doppen van de brandstoftank en de brandstoftank op een correcte manier terug.

- Beperk de hoeveelheid benzine in de tank om spatten tot een minimum te beperken.

- Laat de motor niet draaien in een afgesloten plaats waar de koolstofmonoxidedampen zich kunnen opstapelen.

- Koolstofmonoxide kan dodelijk zijn. Zorg voor een goede ventilatie.

Verplaatsing / Behandeling / Transport:

- Elke behandeling van de machine die niets te maken heeft met de bewerking van de grond, dient te gebeuren met een stilgelegde motor en een losgekoppelde bougie.

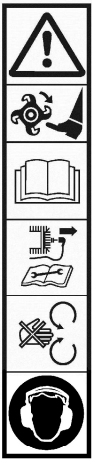
- De verplaatsing (die niets te maken heeft met de bewerking van de grond) dient te gebeuren met behulp van het transportwiel, zoals wordt beschreven in de § "verplaatsing".

- Behandeling: hef de machine niet alleen. Het gewicht van de machine is aangegeven op het kenplaatje en op het einde van deze handleiding. Gebruik een behandelingsmethode die is afgestemd op het gewicht van de machine en de situatie, om de veiligheid te garanderen.

- Het laden en lossen van de machine in een aanhangwagen moet gebeuren aan de hand van een aangepaste laadbrug. Zet de machine correct vast voor een transport in alle veiligheid.

- Het transport dient met een stilgelegde motor en een losgekoppelde bougie met behulp van een aanhangwagen te gebeuren. Gebruik geen andere vervoermiddelen.

DEFINITIE VAN DE PICTOGRAMMEN



LET OP
Gevaar

OPGELET
Draaiende gereedschappen

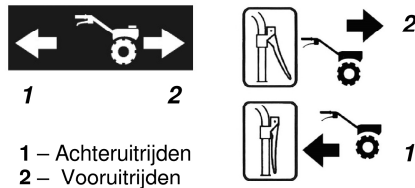
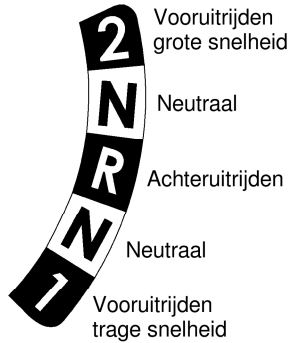
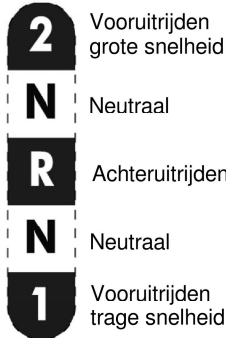
LET OP
Lees de gebruikshandleiding

OPGELET
Raadpleeg de gebruikshandleiding en leg de bougie neer vooraleer interventies uit te voeren

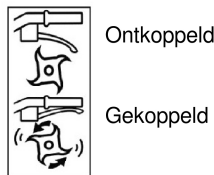
OPGELET
Niet gebruiken zonder bescherming (draaiende elementen)

Drag een helm die het lawaai weert

Selectie snelheid (optie)



Schakelhendel



Raak de hete oppervlakken niet aan



De uitlaatgassen zijn gevaarlijk
Niet gebruiken in een onvoldoende geventileerde ruimte



De motor stilleggen vooraleer vol te tanken

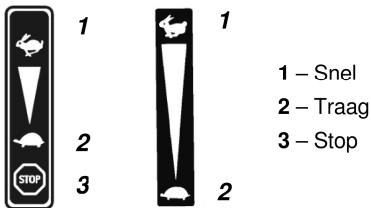


Verboden te roken,
vuur te maken of bij vuur te komen



Opladen van de accu
MAXIMAAL 8 UUR

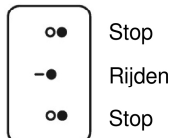
Gasbediening (volgens motoruitvoering)



Startmotor



Hoofdschakelaar



Pictogrammen al dan niet aanwezig volgens het machinemodel

TECHNISCHE GEGEVENS

Machinemodel	TF 225	Geluidsdrukkniveau in de bestuursruimte (EN709 : 1997 / A4 : 2009)	dB(A)	83.5
Gewicht	kg 46	Meetonzekerheid	dB(A)	1
Motormodel	R180	Gemeten geluidsvermogensniveau (EN709 : 1997 / A4 : 2009)	dB(A)	96.3
Nettovermogen * voor een motortoerental	kW 3.5 tpm 3600	Meetonzekerheid	dB(A)	1
Nominaal vermogen Nominaal motortoerental	kW 3.3 tpm 3300	Sterkte van de trillingen aan de handen van de bestuurder (EN709 : 1997 / A4 : 2009)	m/s ²	5.1
Gegarandeerd geluidsvermogensniveau dB(A)	98	Meetonzekerheid	m/s ²	2

* Het in dit document vermelde vermogen van de motor is een nettovermogen dat wordt verkregen door een seriemotor te testen volgens de norm SAE J 1349 bij een bepaalde draaisnelheid. Het vermogen van een andere productiemotor kan verschillen van die vermelde waarde. Het reële vermogen van een motor die is geïnstalleerd op een machine, zal afhangen van verschillende factoren zoals de draaisnelheid, de temperatuuromstandigheden, de vochtigheidsomstandigheden, de luchtdrukstandigheden, de onderhoudsomstandigheden en andere.

EN

DE

FR

ES

IT

NL

EN

DE

FR

ES

IT

NL

OPMERKING: in een voortdurend streven naar verbetering benadrukt de fabrikant dat deze handleiding in haar geheel niet contractueel is, en behoudt de fabrikant zich het recht voor om de specificaties van de machines onaangekondigd te wijzigen

Uitpakken

1.1



OPGELET: deze motorhakfrees verkeerd assembleren kan ernstige verwondingen tot gevolg hebben. Zorg ervoor dat u alle instructies zorgvuldig in acht neemt



OPGELET: Zorg ervoor dat u de kabels niet doorsnijdt of de verf van de machine niet beschadigt wanneer u de doos opensnijdt

Ref.	Inhoud van de doos
A	Motorblok
B	Uitlaatrooster **
C	Etui handleiding + schroeven *
D	Grondpen
E	Stuurstang rechts
F	Stuurstang links
G	Dwarsstuk stuurstang
H	Transportwiel
I	Beschermvleugels
J	Frezen
K	Extra frezen *
L	Plantbeschermingsschijven *
M	Stangbeschermkap *

* Overeenkomstig uitvoering

** Overeenkomstig motoruitvoering



Montage machine

1.2



LET OP: deze motorhakfrees verkeerd assembleren kan ernstige verwondingen tot gevolg hebben. Zorg ervoor dat u alle instructies zorgvuldig in acht neemt

1 2 Montage grondpen

3 Montage stuurstanghouder

4 5 6 Montage van het stuur

7 8 9

10 Vastdraaien grondpen

11 12 Montage transportwiel

13 14 Montage gasbediening

15 16 17 Montage schakelhendel en hendel voor achteruitbeweging

18 Montage kabelklemmen

19 Montage van de beschermvleugels

20 21 Montage van de gereedschappen



LET OP: Nadat de machine volledig geassembleerd is, moeten alle schroeven stevig maar niet overdreven worden vastgedraaid

OPMERKING: alle demontagewerkzaamheden moeten worden uitgevoerd door een erkende werkplaats



Beschrijving van de elementen

1.3

- 1 – Gasbediening
- 2 – Motor
- 3 – Transportwiel
- 4 – Draaiende gereedschappen
- 5 – Aan-uitschakelaar **
- 6 – Beschermvleugels
- 7 – Grondpen
- 8 – Drijfriemkap
- 9 – Verstelhendel stuurstang
- 10 – Koppelingshendel
- 11 – Hendel voor achteruitbeweging

** Overeenkomstig motoruitvoering



Identificatieplaatje van de machine

1.4

- A – Nominiaal vermogen
- B – Massa in kilogram
- C – Serienummer
- D – Bouwjaar
- E – Type van de machine
- F – Naam en adres van de constructeur
- G – CE-identificatie
- H – 30 = motorhakfrees met warmtemotor



Transportwiel

1.5

- A = Werkstand
- B = Transportstand

MACHINE STARTEN



← **Montage van de hoofdschakelaar op het stuur**



← **Vullen met olie en het peil controleren**

- Vul het motorcarter met olie en controleer het peil ervan
- Vul de luchtfilterkast tot aan de OIL LEVEL-markering met dezelfde olie



← **Vullen met benzine**
Super of loodvrij of SP95 E 10



← **Open de benzine kraan en zet de starter op de stand A**



← **Versnelling**
Zet de hendel op:



← **Hoofdschakelaar**
Zet de hoofdschakelaar op: **ON**



← **Trek aan de handgreep van de trekstarter**



Blijf altijd in de veilige zone tijdens het starten van de machine

← **Starter**

Zet de starter op de stand **B**

EN

DE

FR

ES

GEBRUIK

Deze machine is bestemd voor:

- de voorbereiding van de grond voor beplantingen.
- het onderhoud van beplantingen en bloembedden.

Deze machine is niet bestemd voor professioneel gebruik.



Het is absoluut noodzakelijk om de koppeling los te laten, alvorens gebruik te maken van de omkeerschakelaar.



Een veiligheidszone met een straal van 20 m rond de machine in acht nemen.



Na het starten de motor niet stationair laten draaien; zo snel mogelijk beginnen te werken door de aankoppelingsbediening voor de werktuigen in werking te stellen. Het is onnodig om de motor op te warmen; deze gedurende meer dan 2 minuten stationair laten draaien zonder de werktuigen aan te koppelen, kan grote schade veroorzaken aan het aankoppelsysteem en de drijfriem ervan.



← **Voorwaartse beweging**



← **Achteruitbeweging**



Gebruikmaken van de achteruitbeweging is gevaarlijk. Vergewis u ervan dat er zich geen obstakels achter u bevinden, en verlaag het motortoerental alvorens aan te koppelen.

IT

NL

UITSCHAKELEN



← **Freesgereedsch**

Laat de koppelingshendel los



← **Gas minderen**

Zet de versnellingsbediening op:



← **Motor stilleggen**

Zet de hoofdschakelaar op: **OFF**



← **Sluit de benzinekraan**

DAGELIJKSE CONTROLES

Controleer de volgende punten, voordat u de motor start:

- Afwezigheid van loszittende of kapotte bouten en moeren
- Afwezigheid van benzine- en motorolielekken
- Veiligheid van de omgeving



← **Geschikt motoroliepeil**



← **Toereikend benzinepeil**



← **Netheid van het luchtfilterelement en oliepeil**



Gebruik geen ontvlambaar oplosmiddel om het element in schuimplastic van de luchtfilter te reinigen

VERPLAATSING EN BEHANDELING

EN



5.1

Verplaatsing



Leg de motor stil

B

Zet de stuurstang in de lage stand om de verplaatsing van de machine te vergemakkelijken

C

Hef de frezen met behulp van het stuur van de grond en ga vooruit

- **Behandeling:** hef de machine niet alleen. Het gewicht van de machine is aangegeven op het kenplaatje en op het einde van deze handleiding. Gebruik een behandelingsmethode die is afgestemd op het gewicht van de machine en de situatie, om de veiligheid te garanderen

- Het laden en lossen van de machine in een aanhangwagen moet gebeuren aan de hand van een aangepaste laadbrug

- Zet de machine correct vast voor een transport in alle veiligheid

DE

FR

ES

IT

INSTELLEN KABEL KOPPELING

NL



6.1

In de « ingekoppelde » stand, als men met horten en stoten naar voren gaat of als de frezen niet draaien, moet de kabel van de koppeling bijgesteld worden.



6.2

De machine uitzetten en de bougie loshalen.



6.3

A

De moer van de spaninrichting van de kabel van de koppeling deblokken.

B

De spaninrichting bijstellen totdat men een speling van 20 mm heeft verkregen op het uiteinde van de hendel van de koppeling.

C

De moer opnieuw blokkeren.

De bougie weer aansluiten.

De machine opstarten en opnieuw proberen.

Als het probleem niet verdwijnt, contact opnemen met de verkoper.

INSTELLEN KABEL ACHTERUIT RIJDEN



6.4

In de « ingekoppelde » stand, in geval van abnormaal geluid of als de frezen niet draaien, moet de kabel van de achteruit bijgesteld worden.



6.5

De machine uitzetten en de bougie loshalen.



6.6

A

De moer van de spaninrichting van de kabel van de hendel van de omkeerinrichting van de machine deblokken.

B

De spaninrichting bijstellen totdat men een speling heeft verkregen van 5 mm op het uiteinde van de hendel.

C

De moer opnieuw blokkeren.

De bougie weer aansluiten.

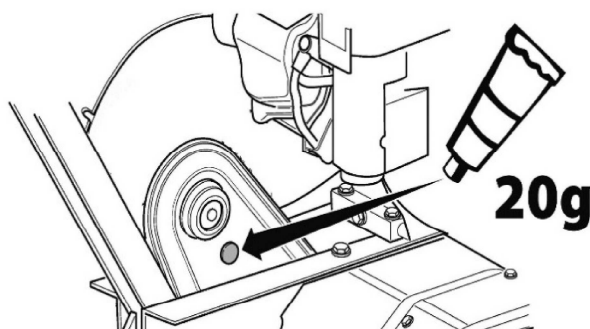
De machine opstarten en opnieuw proberen.

Als het probleem niet verdwijnt, contact opnemen met de verkoper.

PERIODIEK ONDERHOUD (moet worden uitgevoerd door een erkende werkplaats)

SMERING TRANSMISSIE

Periode: maximaal 50 u of 1/jaar vóór de winteropslag



- 1- Verwijder de dop aan de bovenzijde van de transmissie
- 2- Voeg 20 g lithiümsmeervet uit een tube toe
- 3- Plaats de dop terug
- 4- Laat de frezen gedurende 30 seconden draaien

ONDERHOUDSPROGRAMMA

(moet worden uitgevoerd door een erkende werkplaats)

Eerste maand of 20 uur

- De motorolie verversen
- De luchtfilter reinigen (1)

Om de 3 maanden of 50 uur

- De motorolie verversen

Om de 6 maanden of 100 uur

- De bezinkselbak reinigen
- Het vonkenscherm reinigen
- De ontstekingsbougie reinigen

Elk jaar of om de 300 uur

- De ontstekingsbougie vervangen
- De brandstoftank en de brandstoffilter reinigen
- Het nullasttoerental controleren – regelen (2)
- De speling van de kleppen controleren – regelen (2)

Nadien om de 500 uur

- De verbrandingskamer reinigen (2)

Om de 2 jaar

- De brandstofleiding controleren (indien nodig vervangen) (2)

OPMERKING:

(1) *Reinig de luchtfilter vaker bij gebruik op stoffige plaatsen*

(2) *Die werkzaamheden moeten worden toevertrouwd aan een erkende werkplaats, tenzij de gebruiker over het noodzakelijke gereedschap beschikt en mechanisch bekwaam is*

EN

DE

FR

ES

IT

NL

- | | | |
|--|--|--|
| 1. HUSQVARNA AB | 3. Husqvarna AB
Drottninggatan
561 82 Huskvarna (SWEDEN) | 5. R180 |
| 2. Husqvarna AB
Drottninggatan
561 82 Huskvarna (SWEDEN) | 4. 3000**31** | 6. TF 225 |
| | | 7. 2006/42/CE : 17 mai 2006
2000/14/CE : 8 mai 2000
2014/30/CE : 26 février 2014 |

EC declaration of conformity

I, the undersigned (13) (2) hereby declare that the machine described below conforms to the provisions of the Directives (7)

Description: Petrol engine motor hoe; Manufacturer (1); Model (4)

Type (5); Commercial name (6); Serial number (15)

Person authorised to constitute the technical file (3)

References to harmonised standards (8)

Guaranteed acoustic power level (9)

Measured acoustic power level (10)

Signed in (11); Date (12); Signatory (13); Signature (14)

See serial No. (15) on last page

Déclaration CE de conformité

Je, soussigné (13) (2) déclare par la présente que la machine décrite ci-dessous est conforme aux dispositions des Directives (7)

Description : Motobineuse à moteur thermique ; Fabricant (1) ; Modèle (4)

Type (5) ; Nom commercial (6) ; Numéro de série (15)

Représentant autorisé à valider la documentation technique (3)

Références aux normes harmonisées (8)

Niveau de puissance acoustique garantie (9)

Niveau de puissance acoustique mesurée (10)

Fait à (11) ; Date (12) ; Signataire (13) ; Signature (14)

Voir n° de série (15) en dernière page

Dichiarazione di conformità CE

Io sottoscritto (13) (2) dichiaro con la presente che la macchina descritta qui sotto è conforme alle disposizioni delle Direttive (7).

Descrizione: Motozappa a motore termico; Produttore (1); Modello (4)

Tipo (5); Nome commerciale (6); Numero di serie (15)

Persona autorizzata a redigere il fascicolo tecnico (3)

Riferimento alle norme armonizzate (8)

Livello di potenza sonora garantita (9)

Livello di potenza sonora misurata (10)

Redatto a (11); Data (12); Firmatario (13); Firma (14)

Vedere n. di serie (15) all'ultima pagina

EG-Konformitätserklärung

Ich, der Unterzeichner (13) (2), erkläre hiermit, dass die nachstehend beschriebene Maschine den Anforderungen der Maschinenrichtlinien (7) entspricht.

Beschreibung: Motorhacke mit thermischem Motor; Hersteller (1); Modell (4);

Typ (5); Handelsname (6); Seriennummer (15).

Für die Erstellung der technischen Unterlagen berechnete Person (3)

Bezugnahme auf die harmonisierten Normen (8).

Garantierter Schalleistungspegel (9).

Gemessener Schalleistungspegel (10).

Ausgestellt am (11), Datum (12), Unterzeichner (13), Unterschrift (14)

Siehe Seriennummer (15) auf der letzten Seite

Declaración CE de conformidad

Yo, el abajo firmante (13) (2), declaro por la presente que la máquina aquí descrita cumple con las disposiciones de la Directiva de Máquinas (7)

Descripción: Motozadora con motor térmico; Fabricante (1); Modelo (4)

Tipo (5); Nombre comercial (6); Número de serie (15)

Persona autorizada a constituir el expediente técnico (3)

Referencias a las normas armonizadas (8).

Nivel de potencia acústica garantizado (9).

Nivel de potencia acústica medida (10)

Hecho en (11); Fecha (12); Firmante (13); Firma (14)

El n° de serie (15) se encuentra en la última página.

EG-verklaring van overeenstemming

Ik ondergetekende (13) (2) verklaar hierbij dat de hieronder beschreven machine in overeenstemming is met de bepalingen van de richtlijnen (7).

Beschrijving: Motorhakfrees met warmtemotor; fabrikant (1); model (4)

Type (5); handelsnaam (6); serienummer (15)

Persoon die bevoegd is om het technische dossier samen te stellen (3)

Verwijzingen naar de geharmoniseerde normen (8)

Gegarandeerd geluidsvermogensniveau (9)

Gemeten geluidsvermogensniveau (10)

Opgemaakt te (11); datum (12); ondertekenaar (13); handtekening (14)

Zie serienr. (15) op de laatste pagina

8. NF EN ISO 11449 : Octobre 1994
NF EN ISO 14982 : Mai 2009
NF EN 709+A4 : Janvier 2010
NF EN ISO 3744 : Février 2012

11. Huskvarna

14.

A handwritten signature in black ink, consisting of a stylized first name and a last name.

9. 98 dB(A)

12. 03/01/2017

10. 96.3 ± 1 dB(A)

13. Claes Losdal

(15)

