

ILLUSTRATED PARTS LIST

MODEL NUMBER ST 424T

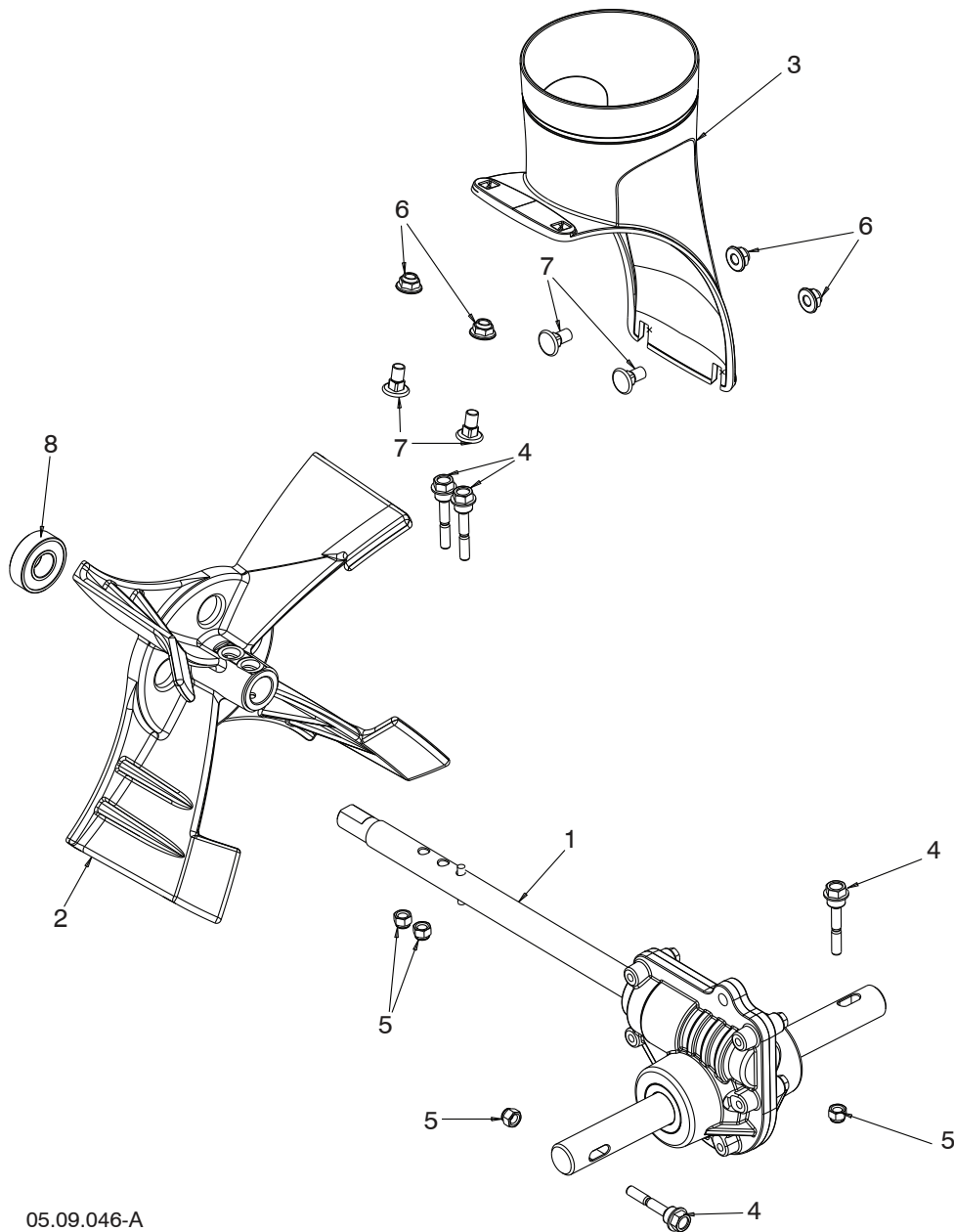
PRODUCT NUMBER 961 93 01-32

MFG. ID. NUMBER 96193013201

REPAIR PARTS

AUGER HOUSING / IMPELLER ASSEMBLY

SNOW THROWER - MODEL NO. ST 424T (96193013201), PRODUCT NO. 961 93 01-32



05.09.046-A

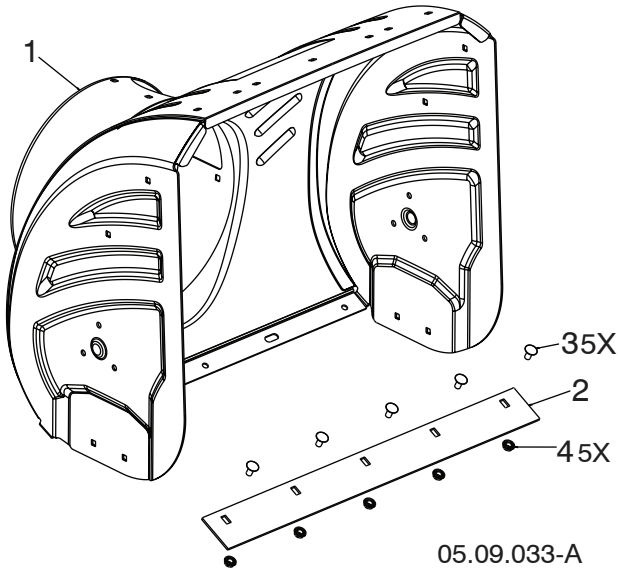
| KEY NO. | PART NO. | DESCRIPTION | KEY NO. | PART NO. | DESCRIPTION |
|---------|--------------|--|---------|--------------|---|
| 1 | 582 86 77-01 | AUGER TRANSMISSION, CAST IRON | 5 | 595 08 66-01 | NUT. NYLOCK 1/4-20 |
| 2 | 585 19 83-03 | IMPELLER, CAST IRON | 6 | 585 69 13-01 | NUT. FLANGE. NY LOCK 5/16-18 - BLK |
| 3 | 593 04 28-02 | CHUTE. DISCHARGE. BASE - CAST ALUMINUM | 7 | 585 69 12-01 | BOLT. CARRIAGE. WAFER HEAD 5/16-18 X 5/8- BLK |
| 4 | 588 07 75-02 | BOLT. SHEAR 1/4-20 | 8 | 532 19 87-91 | BEARING. BALL |

NOTE: All component dimensions given in U.S. inches. 1 inch = 25.4 mm
IMPORTANT: Use only Original Equipment Manufacturer (O.E.M.) replacement parts. Failure to do so could be hazardous, damage your snow thrower and void your warranty.

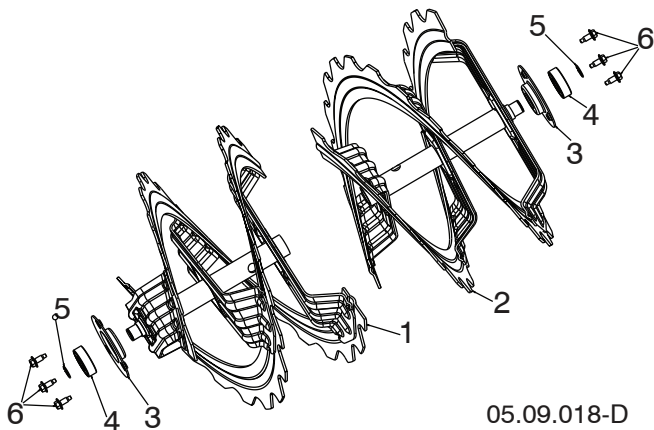
REPAIR PARTS

AUGER HOUSING / IMPELLER ASSEMBLY

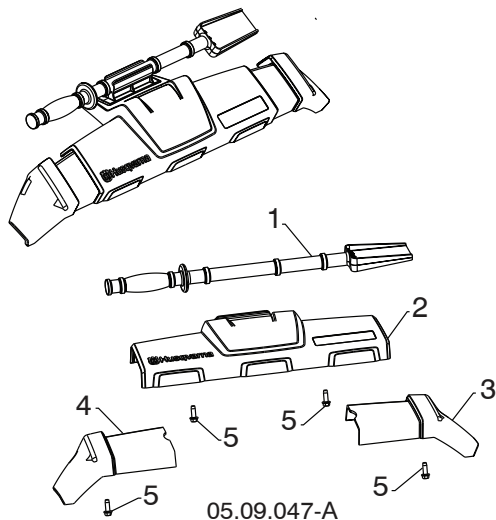
SNOW THROWER - MODEL NO. ST 424T (96193013201), PRODUCT NO. 961 93 01-32



| KEY NO. | PART NO. | DESCRIPTION |
|---------|--------------|------------------------------|
| 1 | 588 61 02-39 | AUGER HOUSING 24 LS |
| 2 | 585 04 83-02 | SHAVE PLATE 24 LS MS428 |
| 3 | 596 03 94-01 | BOLT CARRIAGE 5/16-18 X .625 |
| 4 | 532 15 53-77 | NUT 5/16-18 HEX TOP LOCK |



| KEY NO. | PART NO. | DESCRIPTION |
|---------|--------------|--------------------------------|
| 1 | 581 97 01-03 | AUGER RIBBON 24 RH LS |
| 2 | 581 97 02-03 | AUGER RIBBON 24 LH LS |
| 3 | 580 85 55-01 | SUPPORT AUGER BEARING |
| 4 | 532 11 04-85 | BEARING IDLER 6203 |
| 5 | 812 00 00-28 | RING RETAINING #5100-52 |
| 6 | 585 51 78-01 | SCREW 1/4-20 X .65 W/DOG POINT |



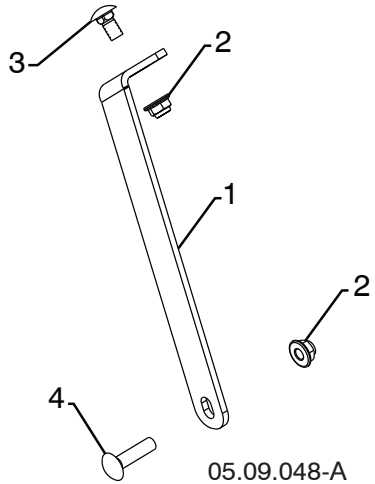
| KEY NO. | PART NO. | DESCRIPTION |
|---------|--------------|--|
| 1 | 532 19 21-99 | TOOL CLEANOUT |
| 2 | 586 41 48-02 | AUGER FRONT TRIM ASM |
| 3 | 586 33 03-02 | TRIM AUGER HOUSING WING RH |
| 4 | 586 33 04-02 | TRIM AUGER HOUSING WING LH |
| 5 | 817 06 04-10 | SCREW HEX WASHER TRI-LOBE 1/4-20 X 3/4 |

NOTE: All component dimensions given in U.S. inches. 1 inch = 25.4 mm
IMPORTANT: Use only Original Equipment Manufacturer (O.E.M.) replacement parts.
 Failure to do so could be hazardous, damage your snow thrower and void your warranty.

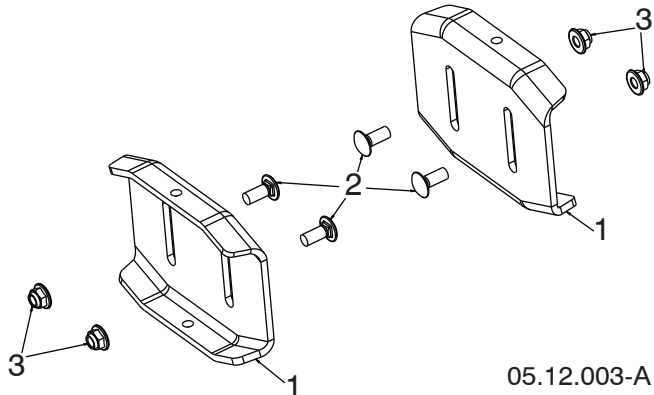
REPAIR PARTS

AUGER HOUSING / IMPELLER ASSEMBLY

SNOW THROWER - MODEL NO. ST 424T (96193013201), PRODUCT NO. 961 93 01-32



| KEY NO. | PART NO. | DESCRIPTION |
|---------|--------------|-------------------------------------|
| 1 | 585 10 90-04 | SUPPORT GEARBOX LS |
| 2 | 585 69 13-01 | NUT HEX FLG NYLOCK BLK 5/16-18 |
| 3 | 585 83 20-01 | BOLT CARRIAGE BLK 5/16-18 X 5/8 BLK |
| 4 | 872 11 05-10 | BOLT CARRIAGE 5/16-18 X 1-1/4 |



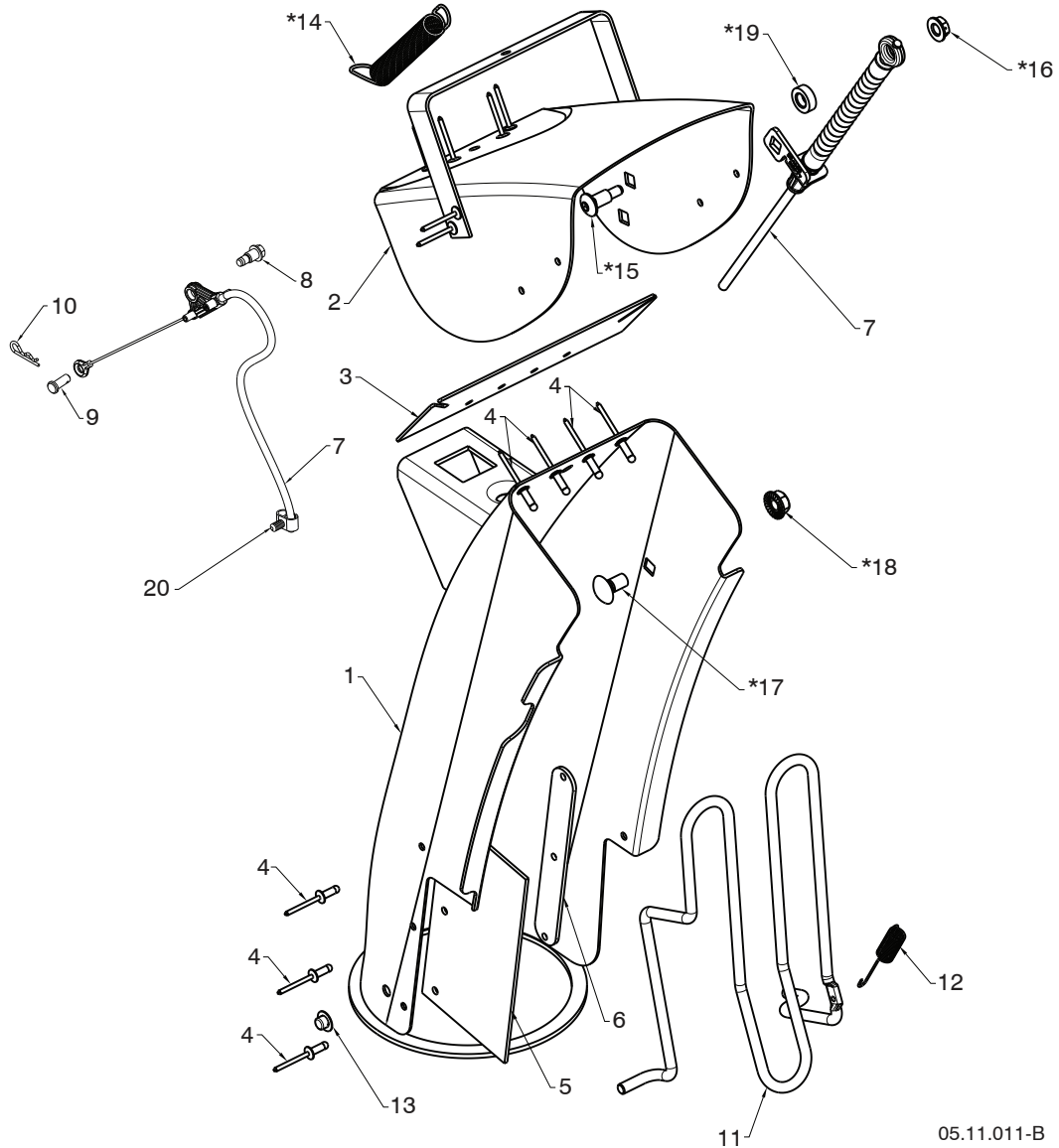
| KEY NO. | PART NO. | DESCRIPTION |
|---------|--------------|------------------------------------|
| 1 | 532 40 78-34 | SKID PLATE |
| 2 | 585 69 17-01 | BOLT CARRIAGE 5/16-18 X .750 – BLK |
| 3 | 585 69 13-01 | NUT FLANGE NYLOCK 5/16-18 –BLK |

NOTE: All component dimensions given in U.S. inches. 1 inch = 25.4 mm
IMPORTANT: Use only Original Equipment Manufacturer (O.E.M.) replacement parts. Failure to do so could be hazardous, damage your snow thrower and void your warranty.

REPAIR PARTS

CONTROL PANEL / DISCHARGE CHUTE

SNOW THROWER - MODEL NO. ST 424T (96193013201), PRODUCT NO. 961 93 01-32



05.11.011-B

| KEY NO. | PART NO. | DESCRIPTION | KEY NO. | PART NO. | DESCRIPTION |
|---------|--------------|---------------------------------|---------|--------------|---------------------------------|
| 1 | 588 07 78-02 | CHUTE WELDMENT KIT | 13 | 532 05 93-49 | PUSH NUT |
| 2 | ----- | RIVETED DEFLECTOR ASSEMBLY | *14 | 532 18 45-05 | DEFLECTOR SPRING |
| 3 | ----- | DEFLECTOR SEAL | *15 | 501 41 73-01 | CARRIAGE BOLT 1/4-20 X .544 |
| 4 | ----- | POP RIVET | *16 | 585 69 14-01 | NUT 1/4-20 |
| 5 | ----- | CHUTE SNOW SHIELD | *17 | 585 83 20-01 | CARRIAGE BOLT 3/8-16 X .625 |
| 6 | ----- | SHIELD STRAP RETAINER | *18 | 873 97 05-00 | NUT 5/16-18 |
| 7 | 590 58 70-02 | CONTROL.CHUTE. DEFLECTOR.BOWDEN | *19 | 501 41 74-01 | WASHER .362 X .625 X .205 NYLON |
| 8 | 581 72 61-01 | SHOULDER BOLT 1/4-20 | 20 | 532 18 15-80 | CLIP, DUAL |
| 9 | 590 80 09-01 | PIN CLEVIS 1/4 X .438 | | | |
| 10 | 532 42 33-03 | HAIRPIN RETAINER | | | |
| 11 | 593 62 22-01 | CHUTE GUARD | | | |
| 12 | 532 43 56-16 | GUARD RETURN SPRING | | | |

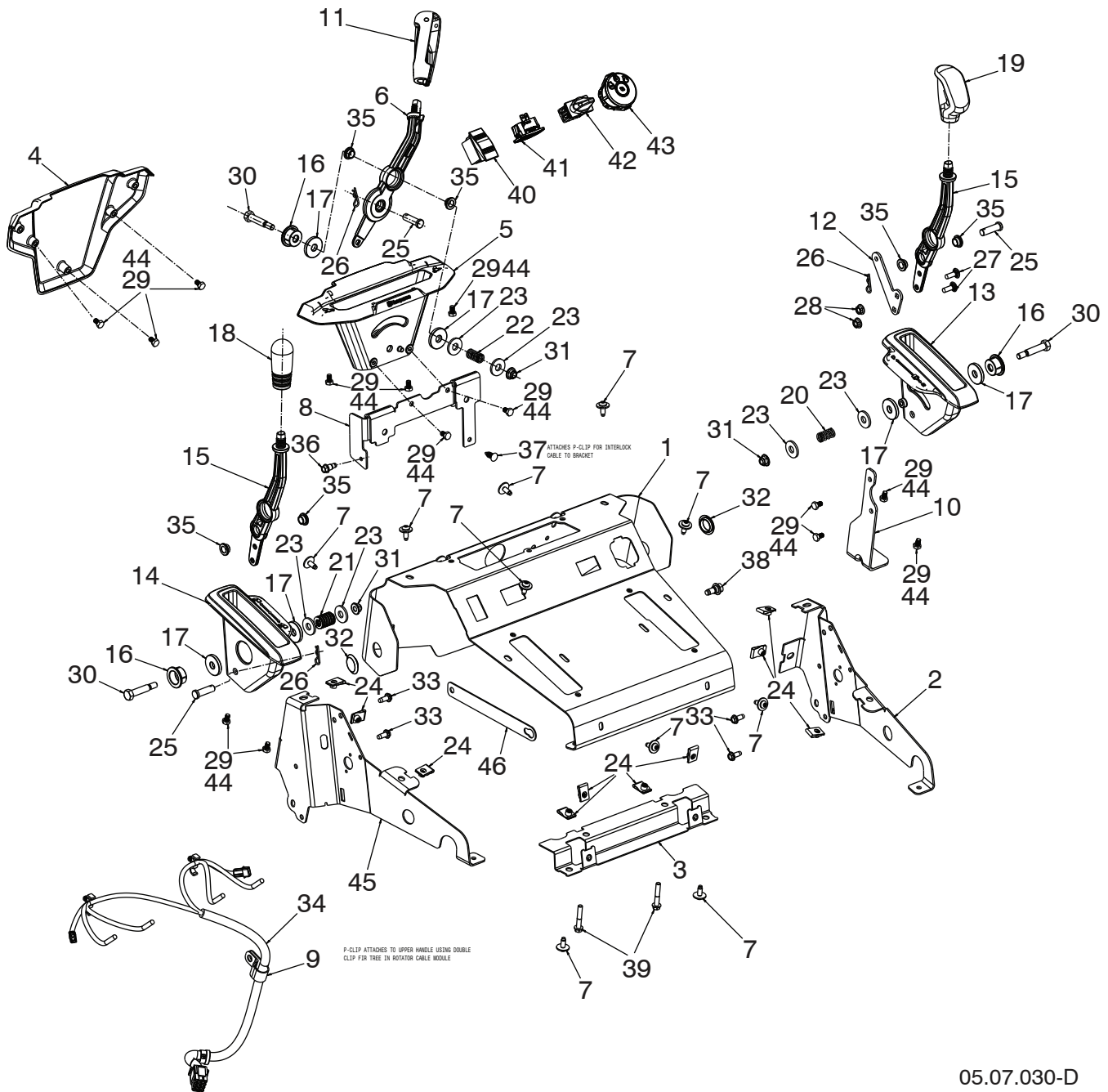
NOTE: ALL ITEMS MARKED WITH AN * ARE PROVIDED IN THE BAG OF ITEMS SHIPPED LOOSE WITH PRODUCT.

NOTE: All component dimensions given in U.S. inches. 1 inch = 25.4 mm
IMPORTANT: Use only Original Equipment Manufacturer (O.E.M.) replacement parts. Failure to do so could be hazardous, damage your snow thrower and void your warranty.

REPAIR PARTS

CONTROL PANEL / DISCHARGE CHUTE

SNOW THROWER - MODEL NO. ST 424T (96193013201), PRODUCT NO. 961 93 01-32



05.07.030-D

NOTE: All component dimensions given in U.S. inches. 1 inch = 25.4 mm
IMPORTANT: Use only Original Equipment Manufacturer (O.E.M.) replacement parts. Failure to do so could be hazardous, damage your snow thrower and void your warranty.

REPAIR PARTS

CONTROL PANEL / DISCHARGE CHUTE

SNOW THROWER - MODEL NO. ST 424T (96193013201), PRODUCT NO. 961 93 01-32

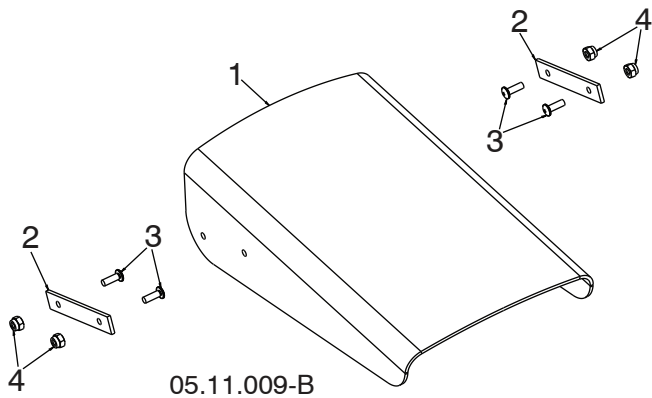
| KEY NO. | PART NO. | DESCRIPTION | KEY NO. | PART NO. | DESCRIPTION |
|---------|--------------|------------------------------------|---------|--------------|---------------------------------|
| 1 | 589 62 64-02 | CONSOLE BASE | 27 | 596 23 84-01 | 1/4-20 X 3/4 CARRIAGE BOLT |
| 2 | 589 62 68-04 | CONSOLE SIDE RHS GREY | 28 | 532 19 17-30 | 1/4-20 HEX FLANGE LOCK NUT |
| 3 | 589 62 69-02 | BRACKET REAR CONSOLE | | | |
| 4 | 593 06 84-01 | CONSOLE ASSY – LEFT SIDE PANEL | 29 | 597 42 55-01 | 1/4-20 X 3/8 HEX WASHER HD BOLT |
| 5 | 589 75 43-01 | BRACKET ROTATOR REAR | 30 | 593 09 20-01 | BOLT SHOULDER 3/8 X 1.325 |
| 6 | 596 92 41-01 | LEVER ROTATOR | 31 | 594 94 44-01 | NUT 5/16-18 HEX FLANGE NYLOCK |
| 7 | 589 77 22-01 | SCREW BUTTON HEAD WASHER CAP SCREW | 32 | 593 08 42-01 | PLUG 7/8 |
| 8 | 589 79 59-01 | BRACKET CABLE CHUTE ROTATOR | 33 | 817 06 04-10 | SCREW 1/4-20 x 5/8 HEX WASHER |
| 9 | 532 19 79-91 | P-CLIP | 34 | 593 07 92-01 | HARNESS UPPER |
| 10 | 589 79 65-01 | BRACKET HYDRO CABLE | 35 | 590 79 06-01 | BUSHING LEVER |
| 11 | 589 80 11-01 | KNOB CHUTE ROTATOR | 36 | 581 72 61-01 | BOLT SHOULDER_1_4-20_ TRILOB |
| 12 | 590 77 47-01 | LEVER HYDRO CABLE | | | |
| 13 | 589 75 41-01 | BRACKET HYDRO LEVER | 37 | 532 42 81-24 | FIR TREE |
| 14 | 589 75 40-01 | BRACKET DEFLECTOR LEVER | 38 | 532 17 01-65 | BOLT SHOULDER_5-16_18_ THD_FORM |
| 15 | 589 75 44-01 | LEVER HYDRO DEFLECTOR | | | |
| 16 | 589 79 61-01 | BUTTON BOLT CARRIER | 39 | 501 40 66-01 | SCREW |
| 17 | 589 79 62-01 | PAD FRICTION | 40 | 585 80 50-01 | SWITCH HEATED GRIP BLACK |
| 18 | 589 79 63-01 | KNOB DEFLECTOR | | | |
| 19 | 589 79 64-01 | KNOB HYDRO | 41 | 596 51 55-01 | HOUR METER |
| 20 | 589 80 05-01 | SPRING HYDRO | 42 | 591 06 65-01 | SWITCH - 3 POSITION ROTARY |
| 21 | 596 91 84-01 | SPRING DEFLECTOR | | | |
| 22 | 593 07 51-01 | SPRING ROTATOR | 43 | 594 72 18-01 | IGNITION SWITCH - 3 POSITION |
| 23 | 597 36 74-01 | WASHER .406 ID 1.00 OD X .109 THK | 44 | 597 42 57-01 | 1/4 LOCK WASHER |
| 24 | 532 41 76-93 | 1/4-20 CLIP ON NUT | 45 | 589 62 68-03 | CONSOLE SIDE LHS GREY |
| 25 | 590 79 17-01 | PIN CLEVIS .375 X 1.25 | 46 | 597 48 92-02 | CHUTE DEFLECTOR SUPPORT BRACE |
| 26 | 532 42 33-03 | SPRING HAIRPIN | | | |

NOTE: All component dimensions given in U.S. inches. 1 inch = 25.4 mm
IMPORTANT: Use only Original Equipment Manufacturer (O.E.M.) replacement parts.
 Failure to do so could be hazardous, damage your snow thrower and void your warranty.

REPAIR PARTS

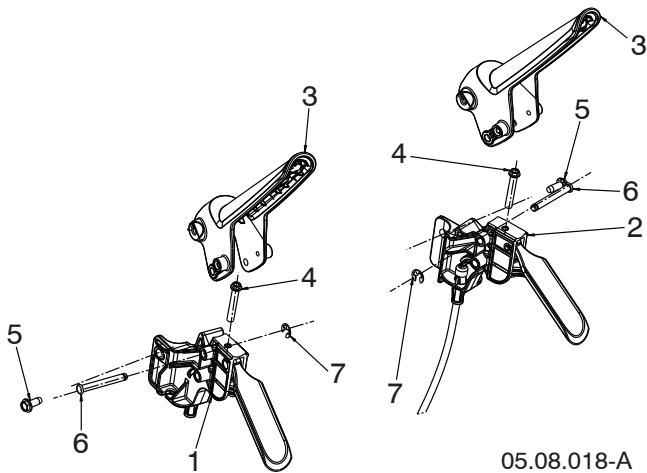
CONTROL PANEL / DISCHARGE CHUTE

SNOW THROWER - MODEL NO. ST 424T (96193013201), PRODUCT NO. 961 93 01-32



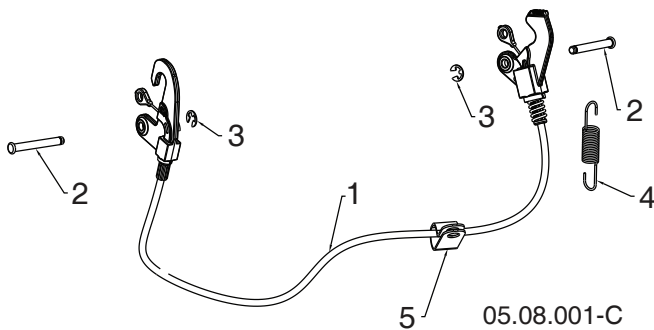
05.11.009-B

| KEY NO. | PART NO. | DESCRIPTION |
|---------|--------------|--------------------------------|
| 1 | 532 42 11-38 | SHIELD DEFLECTOR |
| 2 | 532 43 58-31 | STRAP |
| 3 | 586 11 80-01 | SCREW MACHINE 8-32 X .50 - BLK |
| 4 | 586 11 81-01 | NUT HEX NYLOCK 8-32 - BLK |



05.08.018-A

| KEY NO. | PART NO. | DESCRIPTION |
|---------|--------------|--------------------------|
| 1 | 589 28 95-03 | CABLE,POWER STEER - LHS |
| 2 | 589 28 95-04 | CABLE,POWER STEER - RHS |
| 3 | 589 80 38-01 | LEVER,CONTROL |
| 4 | 581 32 95-01 | SCREW HI-LO 13-16 X 1.50 |
| 5 | 817 06 04-10 | SCREW 1/4-20 X .625 |
| 6 | 532 43 17-62 | PIN, GROOVED |
| 7 | 812 00 00-14 | E-RING |



05.08.001-C

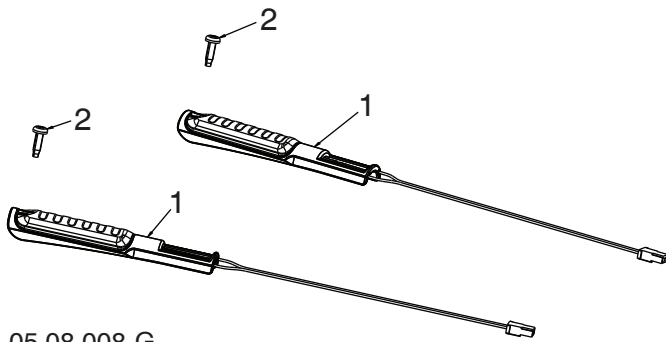
| KEY NO. | PART NO. | DESCRIPTION |
|---------|--------------|------------------|
| 1 | 593 85 34-01 | CABLE INTERLOCK |
| 2 | 532 43 17-62 | PIN GROOVED |
| 3 | 812 00 00-14 | E-RING |
| 4 | 581 15 12-01 | SPRING RETURN |
| 5 | 532 19 79-91 | CLIP CABLE BLACK |

NOTE: All component dimensions given in U.S. inches. 1 inch = 25.4 mm
IMPORTANT: Use only Original Equipment Manufacturer (O.E.M.) replacement parts. Failure to do so could be hazardous, damage your snow thrower and void your warranty.

REPAIR PARTS

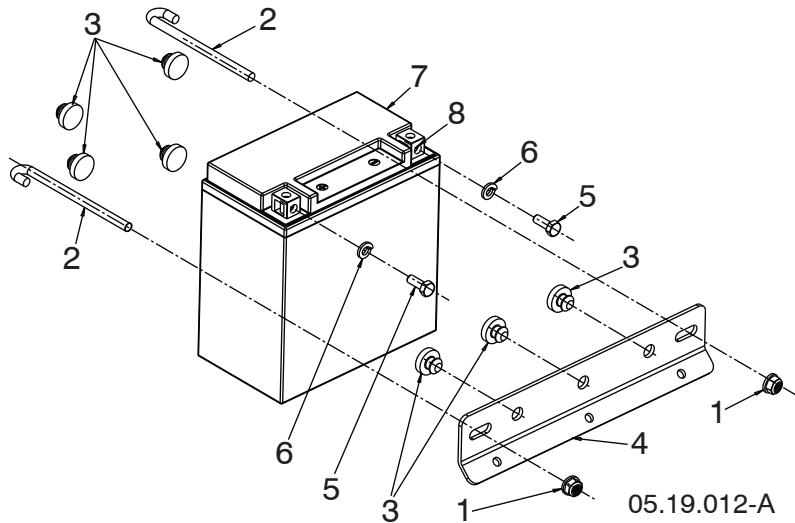
CONTROL PANEL / DISCHARGE CHUTE

SNOW THROWER - MODEL NO. ST 424T (96193013201), PRODUCT NO. 961 93 01-32



| KEY NO. | PART NO. | DESCRIPTION |
|---------|--------------|-----------------------------------|
| 1 | 590 49 36-01 | GRIP, HEATED, DSST SHO |
| 2 | 532 44 22-50 | SCREW PAN HD TORX 1/4-20 X .75 |

05.08.008-G



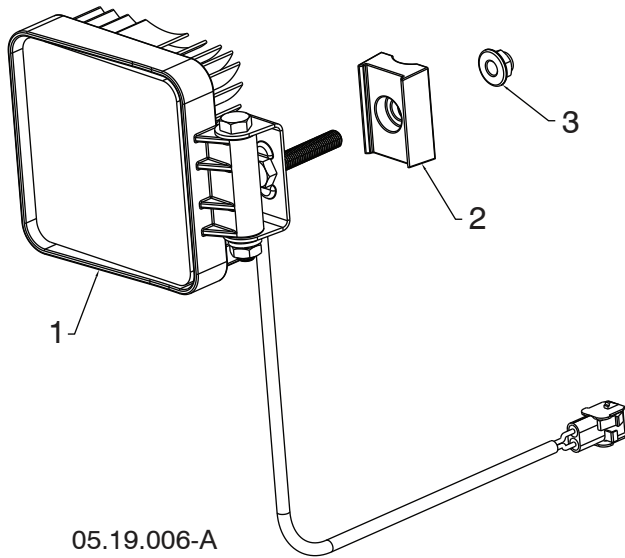
| KEY NO. | PART NO. | DESCRIPTION |
|---------|--------------|-----------------------------|
| 1 | 582 47 86-02 | NUT - 1/4-20 FLANGE LOCKING |
| 2 | 588 83 94-01 | J-HOOK |
| 3 | 585 98 93-01 | BUMPER - RUBBER |
| 4 | 590 94 29-02 | BATTERY STRAP |
| 5 | 532 43 80-39 | SCREW M6X1 X 16L |
| 6 | 596 02 98-01 | LOCK WASHER - 1/4 |
| 7 | 532 43 71-57 | BATTERY AGM 12V 230CCA |
| 8 | 594 08 65-01 | SQUARE NUT - M6X1 |

NOTE: All component dimensions given in U.S. inches. 1 inch = 25.4 mm
IMPORTANT: Use only Original Equipment Manufacturer (O.E.M.) replacement parts.
 Failure to do so could be hazardous, damage your snow thrower and void your warranty.

REPAIR PARTS

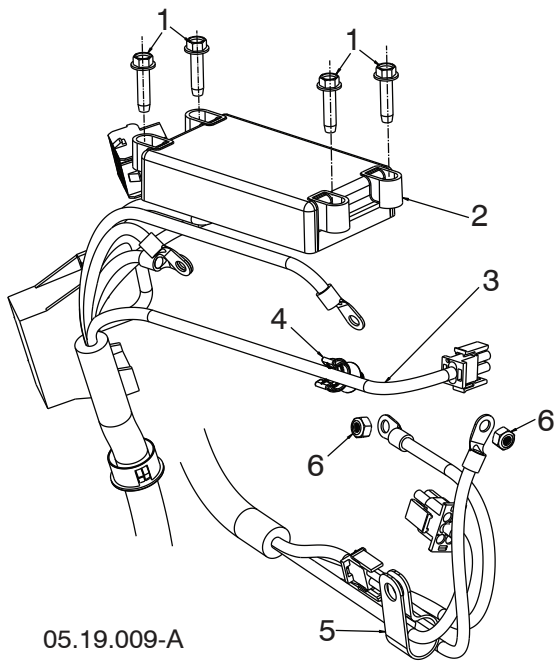
CONTROL PANEL / DISCHARGE CHUTE

SNOW THROWER - MODEL NO. ST 424T (96193013201), PRODUCT NO. 961 93 01-32



05.19.006-A

| KEY NO. | PART NO. | DESCRIPTION |
|---------|--------------|------------------------------|
| 1 | 590 07 13-01 | 4.25 X 4.25 LIGHT |
| 2 | 590 43 98-01 | LIGHT MOUNTING BRACKET |
| 3 | 532 42 79-42 | HEX HD 5/16-18 FLANGE NYLOCK |



05.19.009-A

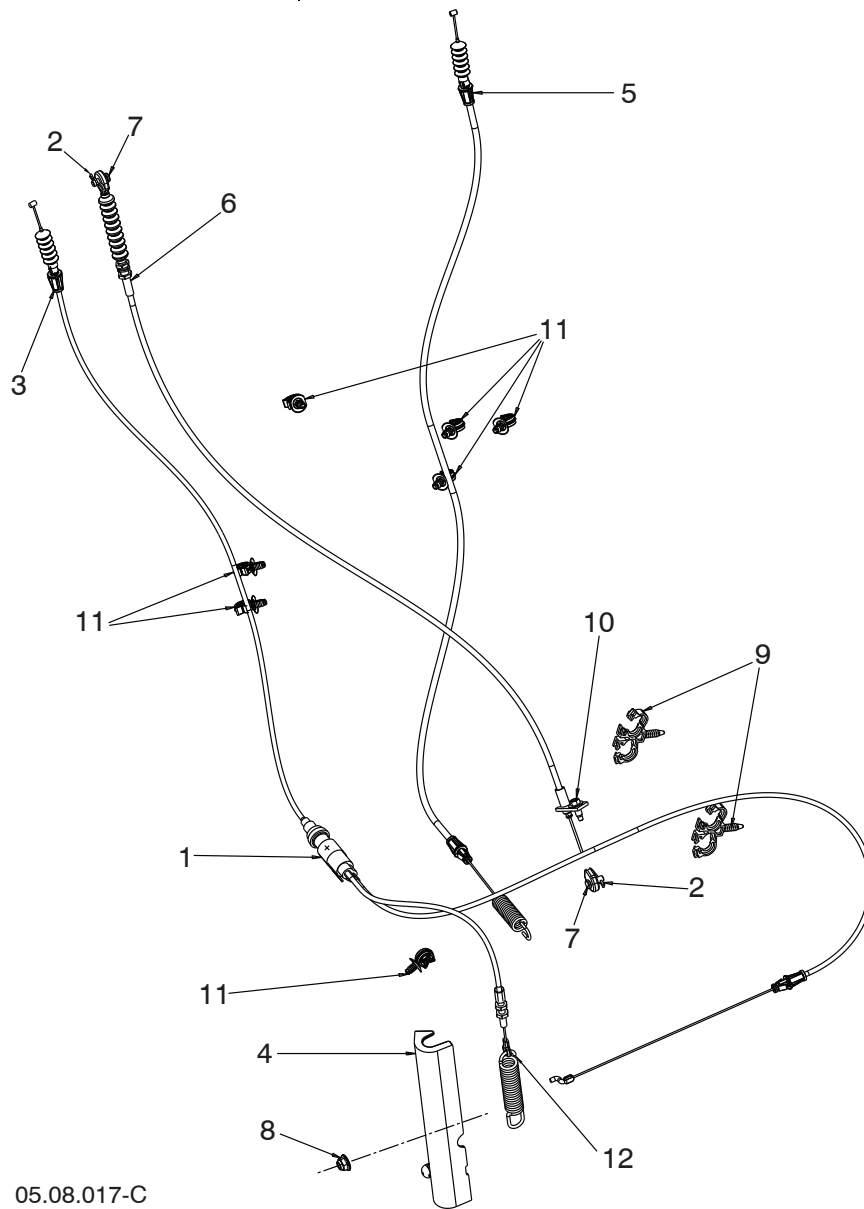
| KEY NO. | PART NO. | DESCRIPTION |
|---------|--------------|---------------------------------|
| 1 | 585 69 11-01 | SCREW 1/4-20 X 1.0 |
| 2 | 593 08 46-02 | ENGINE CONTROL UNIT – EFI 306cc |
| 3 | 593 07 93-01 | HARNESS - LOWER EFI |
| 4 | 595 27 17-01 | CLIP, CORRUGATED TUBE |
| 5 | 532 19 79-91 | P CLIP |
| 6 | 597 43 41-01 | M6 X 1.0 NYLOC NUT |

NOTE: All component dimensions given in U.S. inches. 1 inch = 25.4 mm
IMPORTANT: Use only Original Equipment Manufacturer (O.E.M.) replacement parts. Failure to do so could be hazardous, damage your snow thrower and void your warranty.

REPAIR PARTS

CONTROL PANEL / DISCHARGE CHUTE

SNOW THROWER - MODEL NO. ST 424T (96193013201), PRODUCT NO. 961 93 01-32



05.08.017-C

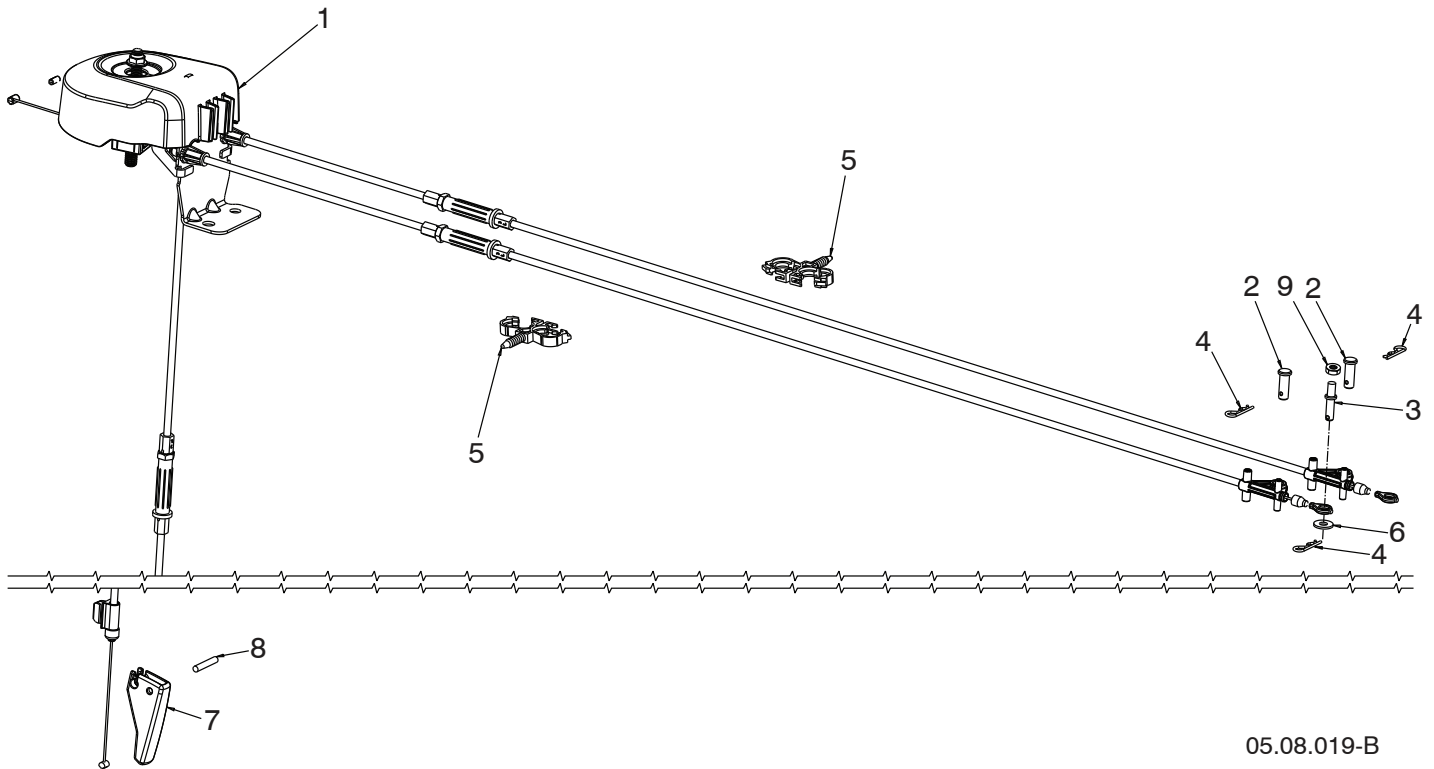
| KEY NO. | PART NO. | DESCRIPTION | KEY NO. | PART NO. | DESCRIPTION |
|---------|--------------|---------------------|---------|--------------|----------------------|
| 1 | 532 19 79-91 | CLIP | 8 | 532 42 79-42 | NUT |
| 2 | 532 42 33-03 | HAIRPIN | 9 | 584 65 22-01 | CLIP, DUAL |
| 3 | 579 76 36-01 | CABLE - IMPELLER | 10 | 585 51 78-01 | SCREW - 1/4-20 x .65 |
| 4 | 589 26 52-01 | COVER - CABLE | 11 | 592 85 74-01 | CLIP, CABLE |
| 5 | 589 28 98-01 | CABLE - HYDRO DRIVE | 12 | 594 71 65-01 | AUGER CABLE SPRING |
| 6 | 590 02 66-01 | CABLE - HYDRO SPEED | | | |
| 7 | 590 80 09-01 | PIN - CLEVIS | | | |

NOTE: All component dimensions given in U.S. inches. 1 inch = 25.4 mm
IMPORTANT: Use only Original Equipment Manufacturer (O.E.M.) replacement parts.
 Failure to do so could be hazardous, damage your snow thrower and void your warranty.

REPAIR PARTS

CONTROL PANEL / DISCHARGE CHUTE

SNOW THROWER - MODEL NO. ST 424T (96193013201), PRODUCT NO. 961 93 01-32



05.08.019-B

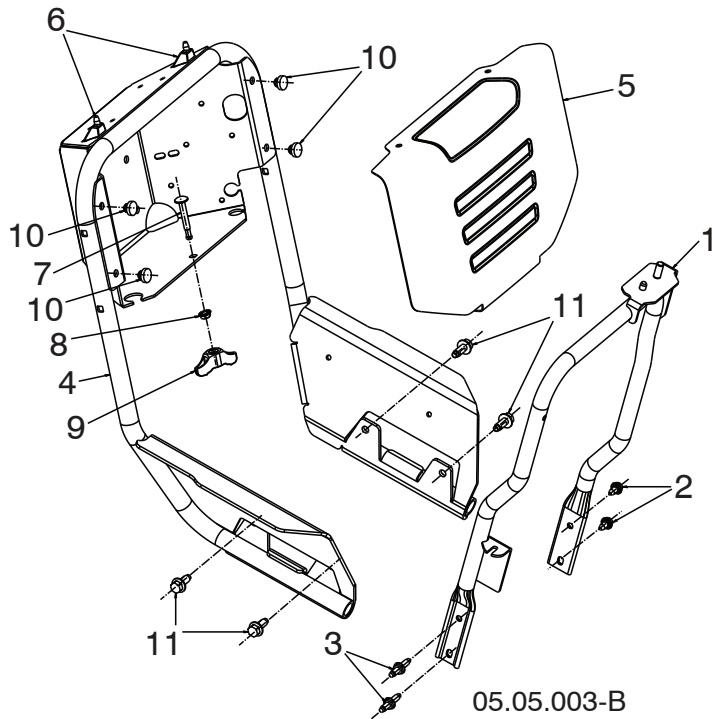
| KEY NO. | PART NO. | DESCRIPTION |
|---------|--------------|-----------------------------------|
| 1 | 591 08 68-02 | CABLE CHUTE ROTATOR ASM - LOCKING |
| 2 | 581 32 94-01 | PIN CLEVIS 5/16 X 7/8 |
| 3 | 596 71 72-01 | PIN CLEVIS 1/4 X 3/4 |
| 4 | 532 42 33-03 | HAIRPIN SOFT ZINC |
| 5 | 584 65 22-01 | CLIP CONDUIT DOUBLE |
| 6 | 586 68 21-01 | WASHER |
| 7 | 589 79 60-01 | ROTATOR LOCK LEVER |
| 8 | 532 18 42-05 | 3/16 X 1.0 ROLL PIN |
| 9 | 595 08 66-01 | NUT 1/4-20 HEX NYLOC |

NOTE: All component dimensions given in U.S. inches. 1 inch = 25.4 mm
IMPORTANT: Use only Original Equipment Manufacturer (O.E.M.) replacement parts. Failure to do so could be hazardous, damage your snow thrower and void your warranty.

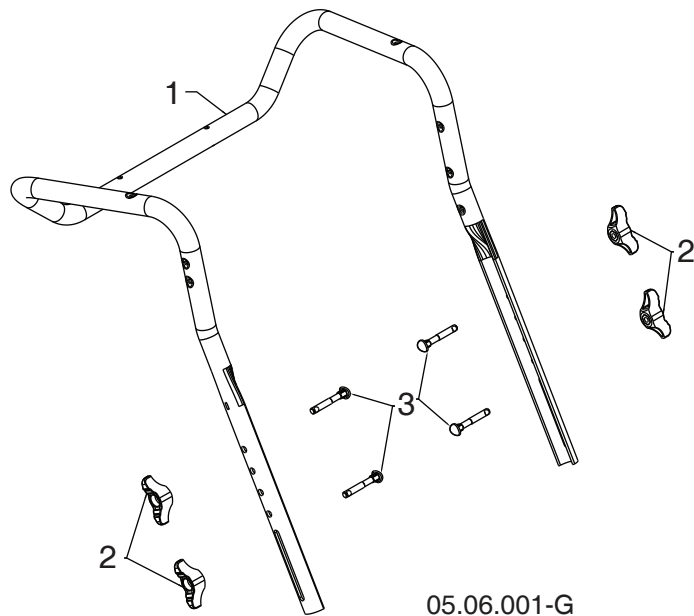
REPAIR PARTS

HANDLES

SNOW THROWER - MODEL NO. ST 424T (96193013201), PRODUCT NO. 961 93 01-32

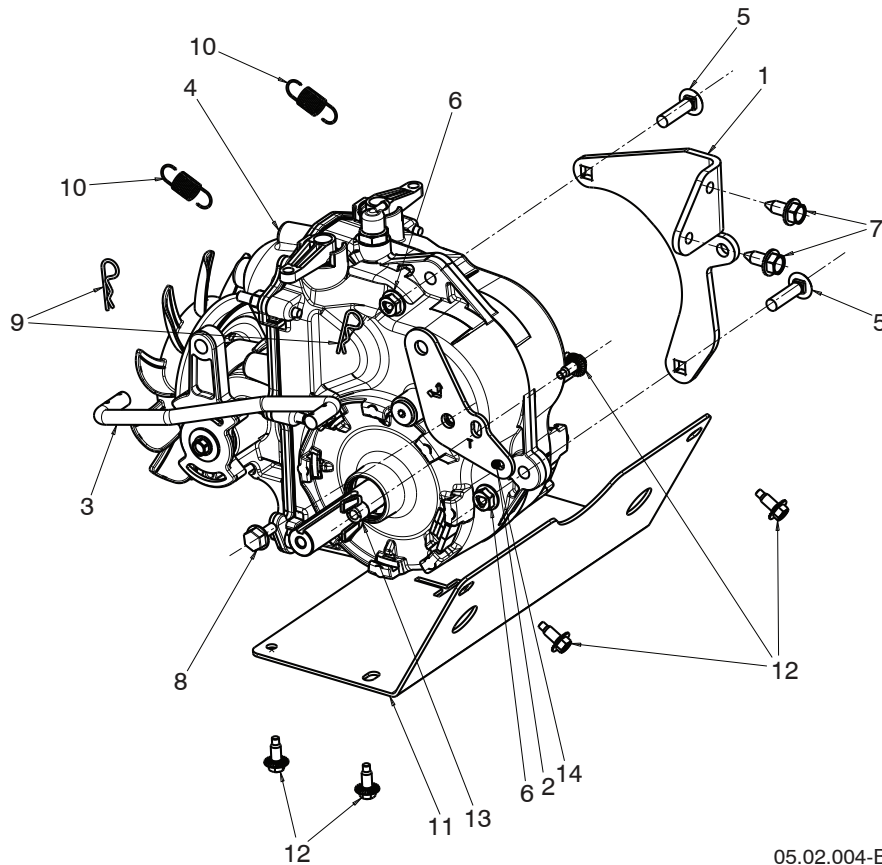


| KEY NO. | PART NO. | DESCRIPTION |
|---------|--------------|-------------------------|
| 1 | 589 26 45-02 | SUPPORT |
| 2 | 817 00 05-10 | BOLT 5/16-18 x .625 |
| 3 | 582 91 79-01 | STUD - 5/16-18 |
| 4 | 589 87 57-02 | HANDLE - LOWER |
| 5 | 590 94 28-02 | COVER - BATTERY |
| 6 | 595 02 62-01 | STUD - BATTERY COVER |
| 7 | 501 06 71-01 | CARRIAGE BOLT 5/16-18 |
| 8 | 532 15 53-77 | NUT - 5/16-18 |
| 9 | 594 94 06-01 | KNOB |
| 10 | 585 98 93-01 | BUMPER |
| 11 | 595 51 79-01 | SCREW - 3/8-16 MATHREAD |



| KEY NO. | PART NO. | DESCRIPTION |
|---------|--------------|---|
| 1 | 588 16 08-03 | UPPER HANDLE |
| 2 | 532 19 19-38 | HANDLE KNOB STD BLACK |
| 3 | 588 05 99-01 | SCREW 5/16-18 X 2.25 CONCAVE HEAD WITH PATCH |

NOTE: All component dimensions given in U.S. inches. 1 inch = 25.4 mm
IMPORTANT: Use only Original Equipment Manufacturer (O.E.M.) replacement parts.
 Failure to do so could be hazardous, damage your snow thrower and void your warranty.



05.02.004-B

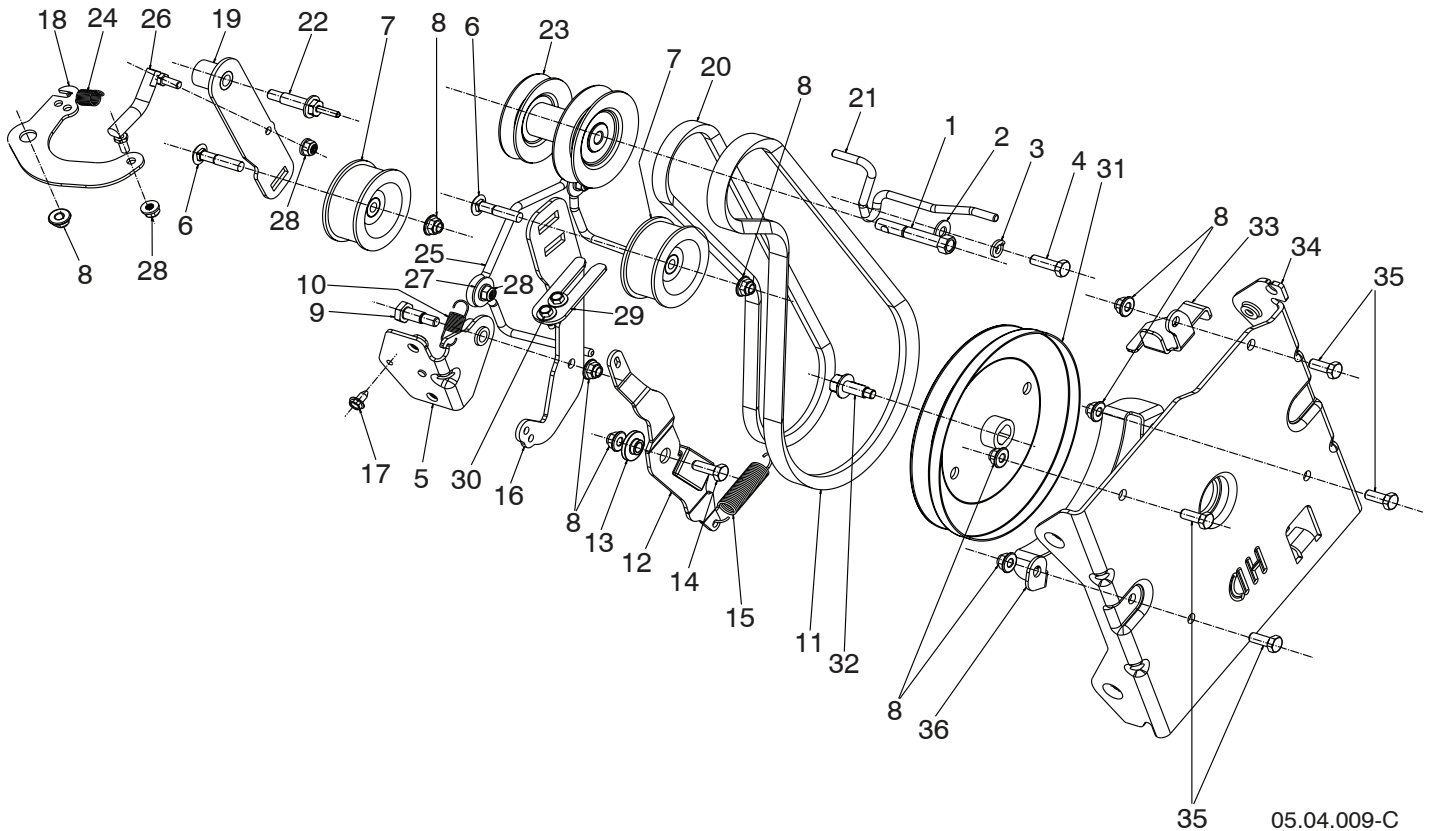
| KEY NO. | PART NO. | DESCRIPTION |
|---------|--------------|------------------------------|
| 1 | 589 28 88-02 | TRANSMISSION MOUNT |
| 2 | 589 28 90-02 | SPEED BELCRANK |
| 3 | 589 28 93-01 | SPEED ROD |
| 4 | 589 28 87-01 | TRANSMISSION |
| 5 | 872 11 05-10 | 5/16-18 X 1.25 CARRIAGE BOLT |
| 6 | 532 75 11-53 | 5/16-18 FLANGE LOCK NUT |
| 7 | 532 42 88-67 | 5/16-18 BOLT |
| 8 | 595 51 76-01 | SHOULDER BOLT |
| 9 | 532 16 96-75 | HAIR PIN |
| 10 | 589 26 37-01 | RETURN SPRING |
| 11 | 583 80 86-02 | BELLY PAN TRACK |
| 12 | 585 51 78-01 | 1/4-20 DOG POINT SCREW |
| 13 | 539 99 09-97 | WINGNUT - 1/4-20 NYLOC |
| 14 | 532 05 38-47 | THRUST WASHER |

NOTE: All component dimensions given in U.S. inches. 1 inch = 25.4 mm
IMPORTANT: Use only Original Equipment Manufacturer (O.E.M.) replacement parts. Failure to do so could be hazardous, damage your snow thrower and void your warranty.

REPAIR PARTS

CHASSIS / ENGINE / PULLEYS

SNOW THROWER - MODEL NO. ST 424T (96193013201), PRODUCT NO. 961 93 01-32



05.04.009-C

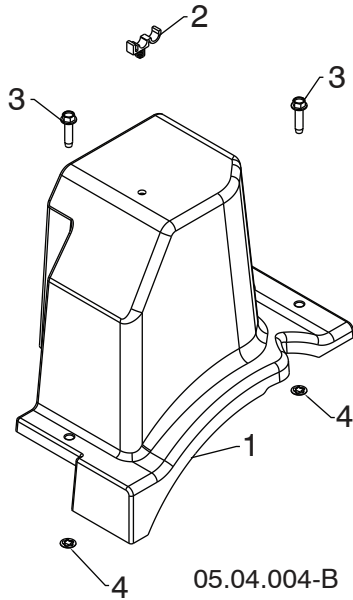
| KEY NO. | PART NO. | DESCRIPTION | KEY NO. | PART NO. | DESCRIPTION |
|---------|--------------|--------------------------------|---------|--------------|--|
| 1 | 582 38 84-01 | BOLT - 3/8-24 X 2.375 | 21 | 589 29 07-01 | GUIDE - BELT 4L DRIVE 5L IMPELLER |
| 2 | 596 20 41-01 | WASHER | 22 | 589 29 08-01 | GUIDE - DRIVE BELT |
| 3 | 596 23 88-01 | WASHER | 23 | 589 26 22-02 | PULLEY |
| 4 | 874 61 05-16 | SCREW - 5/16-24 X 1.0 | 24 | 589 48 16-01 | SPRING |
| 5 | 589 26 34-02 | BRACKET - WELDMENT, IDLER ARM | 25 | 589 76 07-01 | GUIDE - HYDRO BELT |
| 6 | 589 28 45-01 | BOLT - 5/16-18 X 1.50 CARRIAGE | 26 | 590 72 07-01 | LINK ASSY |
| 7 | 589 26 27-02 | PULLEY - IDLER | 27 | 513 91 89-00 | WASHER |
| 8 | 594 94 44-01 | FLANGE NUT - 5/16-18 | 28 | 582 47 86-02 | FLANGE LOCKNUT 1/4-20 |
| 9 | 589 26 36-01 | SCREW - SHOULDER 3/8 | 29 | 592 91 78-02 | GUIDE - IDLER ARM |
| 10 | 589 26 37-01 | SPRING - RETURN | 30 | 585 51 78-01 | SCREW 1/4-20 X .65 WITH DOG POINT |
| 11 | 589 26 26-02 | BELT - 5L HD IMPELLER | 31 | 589 26 38-01 | PULLEY - IMPELLER.DD.5L.HD |
| 12 | 579 76 33-01 | ARM | 32 | 595 51 79-01 | SCREW - FLANGE HEAD CAP WITH DOG POINT, 3/8-16 |
| 13 | 587 34 37-01 | BUSHING | 33 | 589 26 25-05 | GUIDE - BELT 5L |
| 14 | 596 32 22-01 | BOLT - 5/16-18 X .875 | 34 | 501 59 54-02 | INTERFACE BRACKET |
| 15 | 579 76 35-01 | SPRING - BRAKE | 35 | 596 03 05-01 | SCREW - 5/16-18 X .75 |
| 16 | 589 26 29-02 | ARM - IDLER | 36 | 581 63 20-02 | LOWER BELT KEEPER |
| 17 | 817 06 04-08 | SCREW 1/4-20 X .50 | | | |
| 18 | 589 28 99-02 | BELLCRANK - DRIVE | | | |
| 19 | 589 29 05-02 | ARM - DRIVE IDLER | | | |
| 20 | 589 29 06-01 | BELT - 4L DRIVE | | | |

NOTE: All component dimensions given in U.S. inches. 1 inch = 25.4 mm
IMPORTANT: Use only Original Equipment Manufacturer (O.E.M.) replacement parts. Failure to do so could be hazardous, damage your snow thrower and void your warranty.

REPAIR PARTS

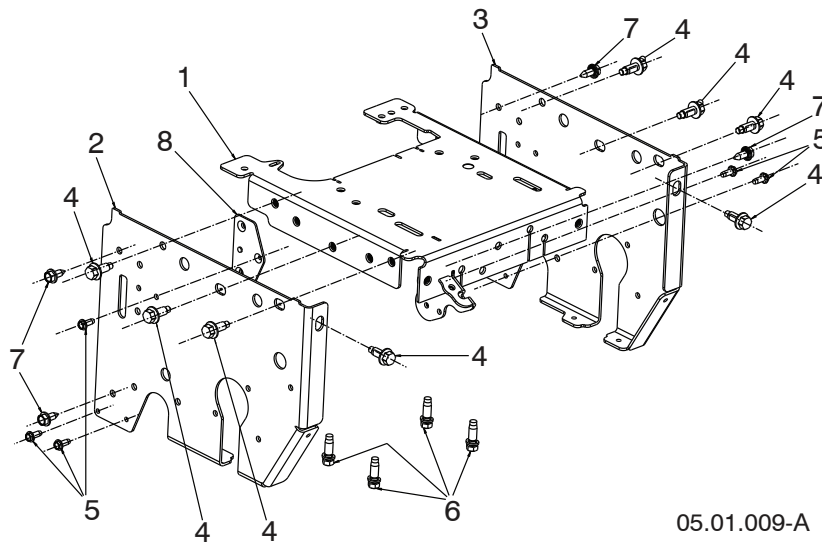
CHASSIS / ENGINE / PULLEYS

SNOW THROWER - MODEL NO. ST 424T (96193013201), PRODUCT NO. 961 93 01-32



05.04.004-B

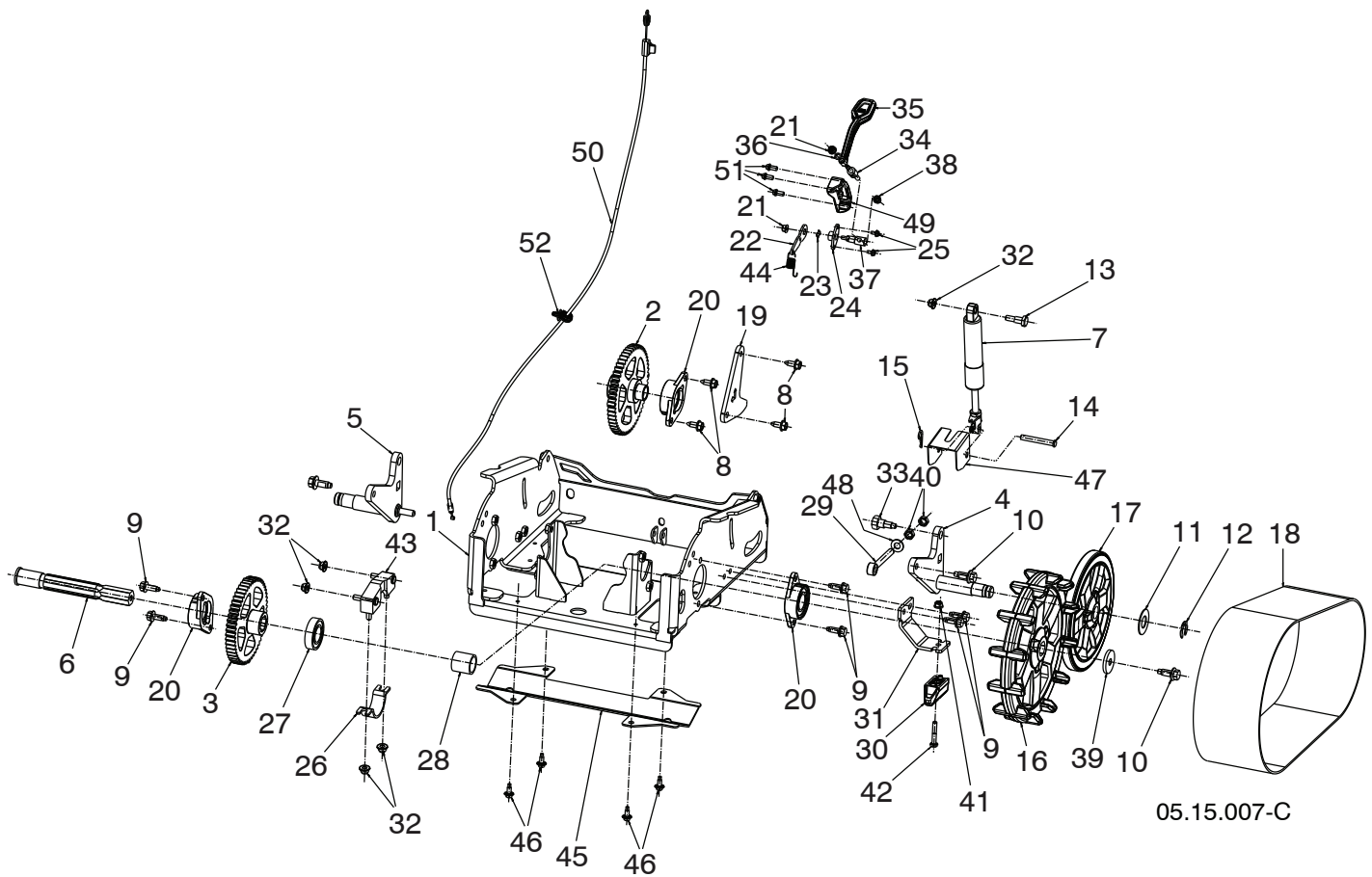
| KEY NO. | PART NO. | DESCRIPTION |
|---------|--------------|--|
| 1 | 587 10 55-01 | BELT COVER HI CRANK (INCLUDES #3 AND #4) |
| 2 | 532 14 50-06 | CABLE GUIDE |
| 3 | ----- | BOLT HEX WSH THDRL 1/4-20 X 1 |
| 4 | ----- | PALNUT 1/4 IN |



05.01.009-A

| KEY NO. | PART NO. | DESCRIPTION |
|---------|--------------|-----------------------------|
| 1 | 583 80 80-02 | FRAME TOP |
| 2 | 583 80 84-03 | FRAME SIDE LHS |
| 3 | 583 80 84-04 | FRAME SIDE RHS |
| 4 | 595 51 79-01 | SCREW 3/8-16 X .75 MATHREAD |
| 5 | 817 06 04-10 | SCREW 1/4-20 x .625 |
| 6 | 532 15 04-06 | SCREW 3/8-16 x 1.28 |
| 7 | 532 42 88-67 | SCREW 5/16-18 x .75 |
| 8 | 590 04 46-02 | BRACKET NUT |

NOTE: All component dimensions given in U.S. inches. 1 inch = 25.4 mm
IMPORTANT: Use only Original Equipment Manufacturer (O.E.M.) replacement parts. Failure to do so could be hazardous, damage your snow thrower and void your warranty.



NOTE: All component dimensions given in U.S. inches. 1 inch = 25.4 mm
IMPORTANT: Use only Original Equipment Manufacturer (O.E.M.) replacement parts.
Failure to do so could be hazardous, damage your snow thrower and void your warranty.

REPAIR PARTS

WHEELS

SNOW THROWER - MODEL NO. **ST 424T** (96193013201), PRODUCT NO. 961 93 01-32

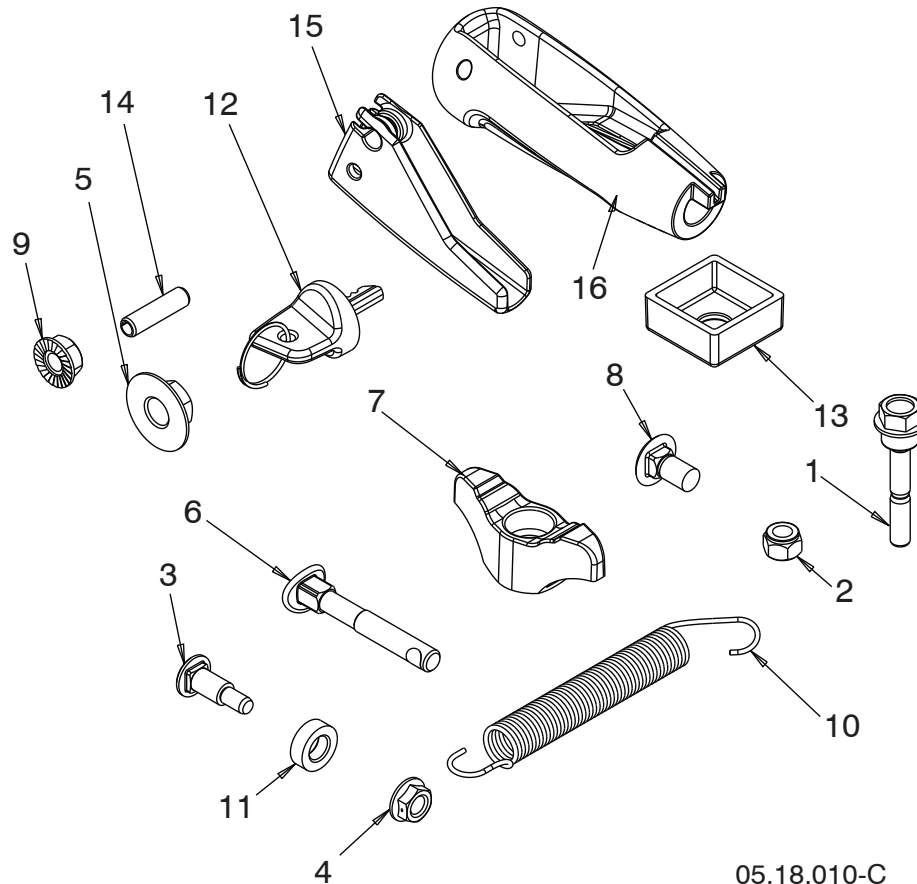
| KEY NO. | PART NO. | DESCRIPTION | KEY NO. | PART NO. | DESCRIPTION |
|---------|--------------|--------------------------------|---------|--------------|-----------------------------------|
| 1 | 589 33 04-02 | FRAME - TRACK | 30 | 590 55 41-01 | GUIDE - TRACK |
| 2 | 593 09 21-01 | GEAR - TRANSMISSION | 31 | 590 55 42-02 | BRACKET - TRACK GUIDE |
| 3 | 589 33 18-01 | GEAR - TRACK | 32 | 532 42 79-42 | NUT - 5/16-18 FLANGE NYLOC |
| 4 | 589 33 24-01 | ARM - ADJUSTMENT LHS | 33 | 590 55 43-02 | BOLT - SHOULDER .5" |
| 5 | 589 33 24-02 | ARM - ADJUSTMENT RHS | 34 | 590 59 43-01 | ROD - BUCKET HEIGHT CONTROL |
| 6 | 589 45 95-01 | AXLE - TRACK | 35 | 590 59 42-01 | LEVER - BUCKET HEIGHT |
| 7 | 589 34 12-01 | ACTUATOR - LOCKABLE GAS ASSIST | 36 | 590 59 45-01 | WASHER - WAVE .269 ID |
| 8 | 532 42 88-67 | SCREW - 5/16-18 X .75 | 37 | 590 59 44-01 | AXLE - BUCKET HEIGHT CONTROL |
| 9 | 595 51 77-01 | SCREW - 5/16-18 X .75 Mathread | 38 | 595 08 66-01 | NUT - 1/4-20 NYLOC |
| 10 | 595 51 79-01 | SCREW - 3/8-16 X .75 Mathread | 39 | 590 69 85-01 | SPACER PLATE - 1.5 OD |
| 11 | 532 18 89-67 | WASHER - HARDENED | 40 | 596 43 35-01 | NUT 3/8-16 HEX JAM |
| 12 | 812 00 00-29 | KLIPRING | 41 | 582 47 86-02 | NUT - 1/4-20 FLANGE SIDE LOCK |
| 13 | 589 35 36-01 | BOLT - SHOULDER 10 MM | 42 | 874 78 04-24 | SCREW - 1/4-20 X 1.5 |
| 14 | 589 35 38-01 | PIN - 5/16 | 43 | 590 55 36-01 | MOUNT - BEARING |
| 15 | 532 00 44-97 | RETAINER - HAIRPIN | 44 | 589 48 16-01 | SPRING - EXTENSION |
| 16 | 590 55 44-01 | SPROCKET - TRACK DRIVE | 45 | 590 84 96-02 | COVER - TRACK GEAR |
| 17 | 589 36 78-01 | WHEEL - TRACK IDLER | 46 | 585 51 78-01 | SCREW - 1/4-20 X .65 DOG POINT |
| 18 | 589 36 75-01 | BELT - TRACK DRIVE | 47 | 590 84 84-02 | COVER - GAS STRUT RELEASE HEAD |
| 19 | 589 79 32-02 | BRACKET - LIFT STOP | 48 | 596 56 53-01 | WASHER - 3/8 |
| 20 | 590 00 06-01 | CARRIER - WITH BEARING | 49 | 595 08 04-01 | BRACKET - BUCKET HEIGHT LEVER |
| 21 | 589 92 70-01 | NUT - 10-24 FLANGE NYLOC | 50 | 589 74 59-01 | CABLE ASSY - BUCKET HEIGHT ADJUST |
| 22 | 589 64 49-02 | ARM - BUCKET HEIGHT ADJUSTER | 51 | 817 41 13-08 | 13-16 x .50 HI-LO SCREW |
| 23 | 589 74 65-01 | WASHER - WAVE .393 ID | 52 | 592 85 74-01 | CLIP, CABLE |
| 24 | 589 64 53-01 | BUSHING - HEIGHT ADJUSTER | | | |
| 25 | 532 70 02-16 | SCREW - 10-24 X .375 | | | |
| 26 | 590 55 37-01 | MOUNT - BEARING STRAP | | | |
| 27 | 590 55 38-01 | BEARING R16-2RS | | | |
| 28 | 590 55 39-01 | SPACER - TRACK AXLE | | | |
| 29 | 590 55 40-01 | ROD END - 3/8 | | | |

NOTE: All component dimensions given in U.S. inches. 1 inch = 25.4 mm
IMPORTANT: Use only Original Equipment Manufacturer (O.E.M.) replacement parts.
 Failure to do so could be hazardous, damage your snow thrower and void your warranty.

REPAIR PARTS

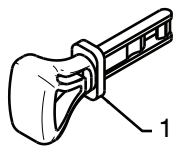
BAG OF PARTS

SNOW THROWER - MODEL NO. ST 424T (96193013201), PRODUCT NO. 961 93 01-32



05.18.010-C

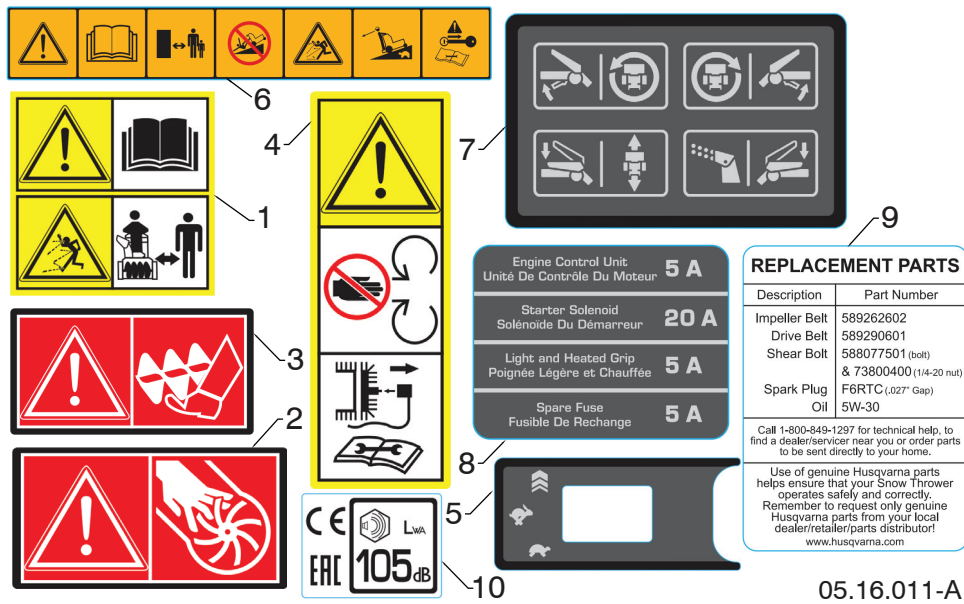
| KEY NO. | PART NO. | DESCRIPTION | KEY NO. | PART NO. | DESCRIPTION |
|---------|--------------|-----------------------------|---------|--------------|------------------------------|
| 1 | 588 07 75-02 | BOLT 1/4-20 X 1.81 | 12 | 591 07 06-01 | IGNITION KEY |
| 2 | 595 08 66-01 | NUT NYLOCK 1/4-20 | 13 | 591 08 74-01 | CHUTE RETAINER |
| 3 | 501 41 73-01 | BOLT SHOULDER | 14 | 532 18 42-05 | ROLL PIN |
| 4 | 585 69 14-01 | NUT HEX FL 1/4-20 CTR | 15 | 589 79 60-01 | ROTATOR TRIGGER |
| 5 | 585 69 10-01 | NUT NYLOCK 3/8-16 | 16 | 589 80 11-01 | KNOB CHUTE ROTATOR |
| 6 | 588 05 99-01 | BOLT 5/16-18 X 2.25 CONCAVE | NI | 580 94 77-05 | BAG PLASTIC 6.5X10.5 WARNING |
| 7 | 532 19 19-38 | KNOB 5/16-18 TWO-WING | NI | 581 03 01-36 | LABEL, HARDWARE BAG |
| 8 | 585 83 20-01 | BOLT 5/16-18 X .625 | NI | 588 07 76-13 | KIT REPLACEMENT BAG OF PARTS |
| 9 | 873 97 05-00 | NUT SERR FL LOCK 5/16-18 | | | |
| 10 | 532 18 45-05 | SPRING DEFLECT CHUTE | | | |
| 11 | 501 41 74-01 | WASHER NYLON | | | |



01.14.009-B

| KEY NO. | PART NO. | DESCRIPTION |
|---------|--------------|-------------------------|
| 1 | 532 44 30-59 | SAFETY IGNITION KEY KIT |

NOTE: All component dimensions given in U.S. inches. 1 inch = 25.4 mm
IMPORTANT: Use only Original Equipment Manufacturer (O.E.M.) replacement parts. Failure to do so could be hazardous, damage your snow thrower and void your warranty.



| REPLACEMENT PARTS | |
|-------------------|---|
| Description | Part Number |
| Impeller Belt | 589262602 |
| Drive Belt | 589290601 |
| Shear Bolt | 588077501 (bolt) & 73800400 (1/4-20 nut) |
| Spark Plug | F6RTC (.027" Gap) |
| Oil | 5W-30 |

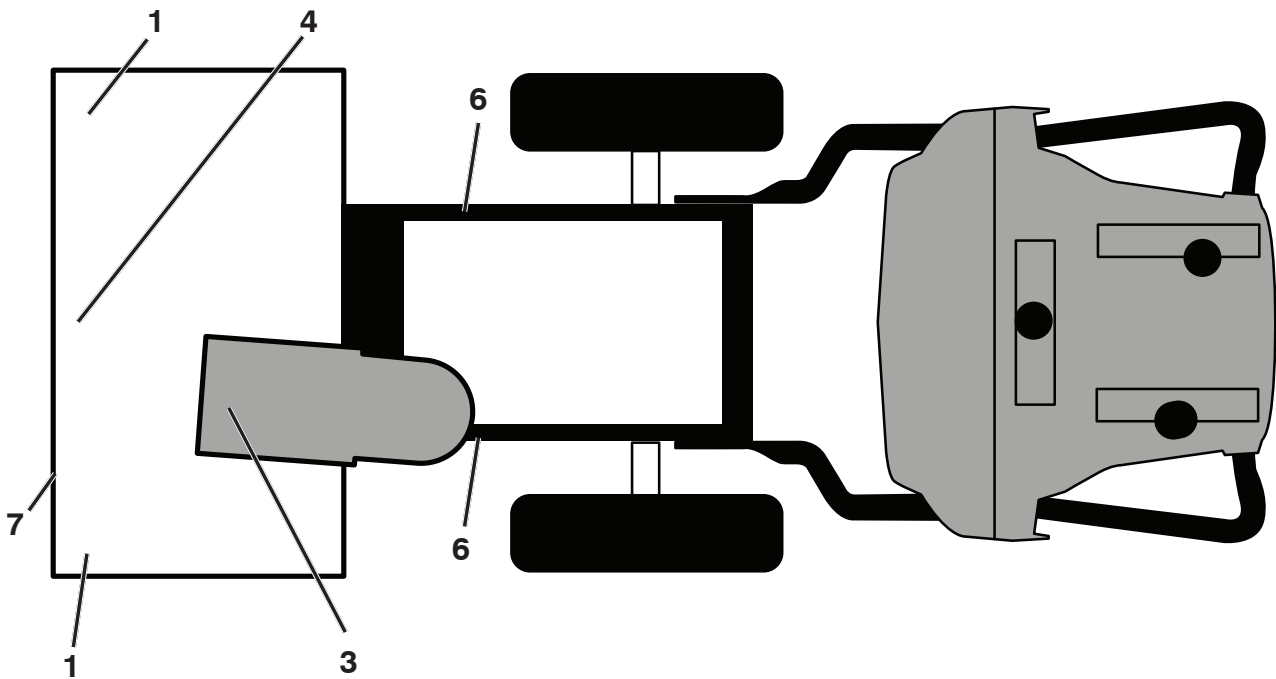
Call 1-800-849-1297 for technical help, to find a dealer/service near you or order parts to be sent directly to your home.

Use of genuine Husqvarna parts helps ensure that your Snow Thrower operates safely and correctly. Remember to request only genuine Husqvarna parts from your local dealer/retailer/parts distributor! www.husqvarna.com

05.16.011-A

| KEY NO. | PART NO. | DESCRIPTION |
|---------|--------------|---------------------------|
| 1 | 532 18 40-45 | DECAL AUGER |
| 2 | 590 81 22-01 | DECAL CHUTE |
| 3 | 532 19 96-83 | DECAL AUGER SAFETY |
| 4 | 532 18 40-28 | DECAL BELT GUARD |
| 5 | 593 09 25-01 | DECAL THROTTLE |
| 6 | 593 09 26-01 | DECAL CONSOLE WARNING |
| 7 | 593 09 27-01 | DECAL CONSOLE INSTRUCTION |
| 8 | 593 14 69-01 | DECAL FUSE |
| 9 | 593 14 70-01 | DECAL REPLACEMENT PARTS |
| 10 | 588 04 98-01 | DECAL NOISE LEVEL |

NOTE: All component dimensions given in U.S. inches. 1 inch = 25.4 mm
IMPORTANT: Use only Original Equipment Manufacturer (O.E.M.) replacement parts. Failure to do so could be hazardous, damage your snow thrower and void your warranty.



**KEY PART
NO. NO.**

DESCRIPTION

| | | |
|----|--------------|--|
| 1 | 532 19 96-83 | DECAL, DANGER |
| 3 | 590 81 22-01 | DECAL, DANGER, DEFLECTOR CHUTE |
| 4 | 532 18 40-45 | DECAL, DANGER |
| 6 | 532 18 40-28 | DECAL, BELT GUIDE |
| 7 | 593 09 63-01 | DECAL, AUGER FRONT |
| -- | 590 69 72-01 | DECAL, ENGINE REWIND (NOT SHOWN) |
| -- | 532 42 86-77 | "H" EMBLEM (NOT SHOWN) |
| -- | 114 07 23-49 | OPERATOR'S MANUAL, ENGLISH, FRENCH, SPANISH |
| -- | 114 07 23-10 | OPERATOR'S MANUAL, SCAN |
| -- | 114 07 23-20 | OPERATOR'S MANUAL, EURO |
| -- | 114 07 23-40 | OPERATOR'S MANUAL, BALTIC |
| -- | 114 07 23-50 | OPERATOR'S MANUAL, EBLOC |

NOTE: All component dimensions given in U.S. inches. 1 inch = 25.4 mm

IMPORTANT: Use only Original Equipment Manufacturer (O.E.M.) replacement parts. Failure to do so could be hazardous, damage your snow thrower and void your warranty.

291/306/369/414/420cc EFI Snow Engines

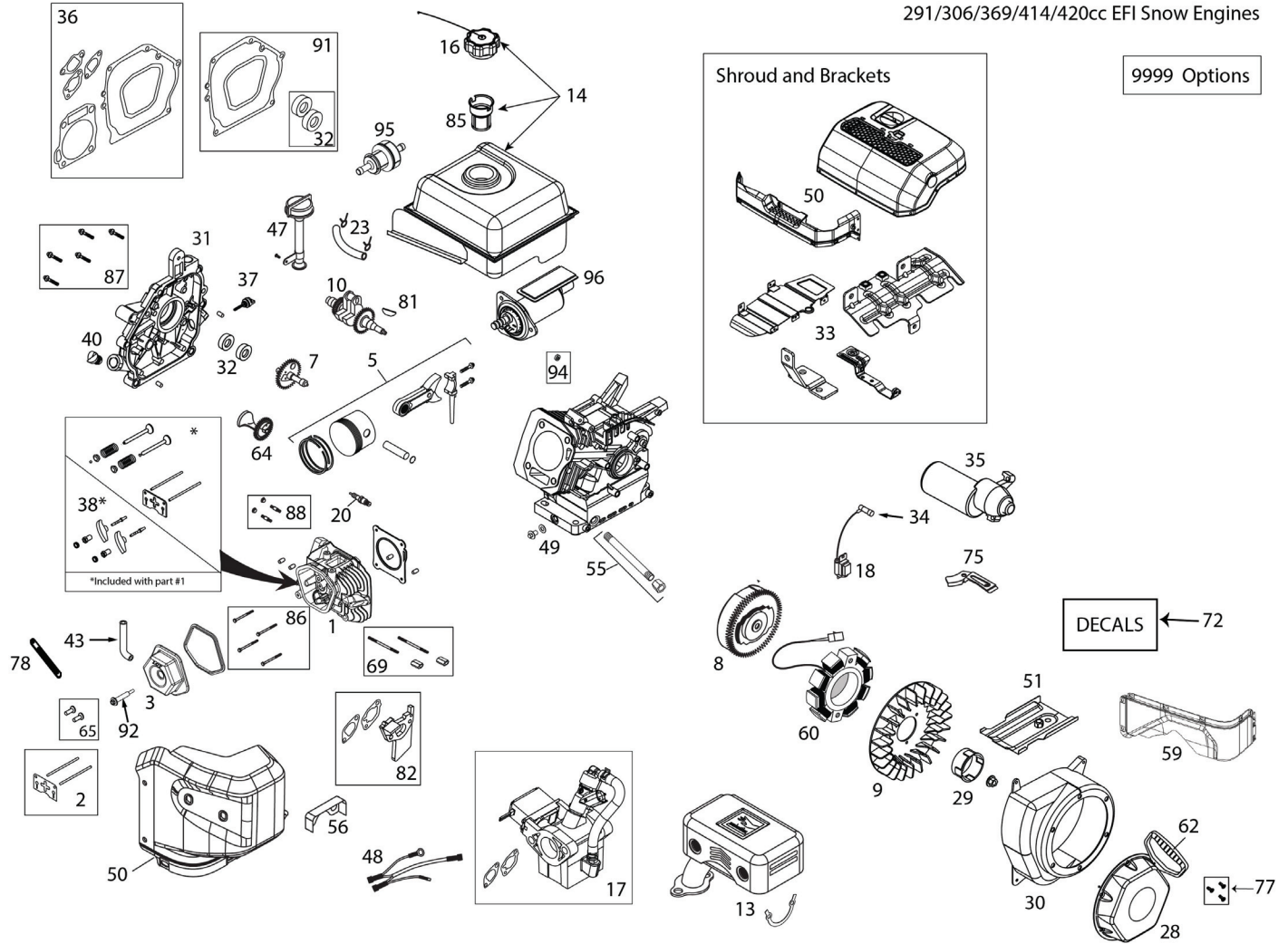


ILLUSTRATION FOR REFERENCE PURPOSES ONLY

ENGINE, LCT

COMPLETE ENGINE-592919301

| KEY PART NO. | PART NO. | DESCRIPTION | KEY PART NO. | PART NO. | DESCRIPTION |
|--------------|--------------|---|--------------|--------------|------------------------------------|
| 1 | 597 50 46-01 | CYLINDER HEAD | 37 | 532 43 55-34 | SMALL BLACK OIL DIPSTICK (PLASTIC) |
| 2 | 532 42 96-13 | PUSH ROD & PLATE KIT (W/ COVER GSKT) | 38 | 532 42 96-12 | ROCKER ARM KIT (W/ GASKET) |
| 3 | 532 42 93-03 | VALVE COVER (W/ GASKET) | 40 | 532 42 92-42 | NON-REMOVABLE PLASTIC PLUG |
| 5 | 597 50 47-01 | PISTON AND ROD ASSEMBLY | 43 | 580 35 38-01 | BREATHER TUBE |
| 7 | 597 50 48-01 | CAMSHAFT - MCR | 49 | 532 43 54-94 | OIL DRAIN PLUG W/WASHER |
| 8 | 532 44 38-95 | FLYWHEEL - ELEC START | 50 | 597 35 93-01 | TOP SHROUD |
| 9 | 532 42 92-38 | COOLING FAN - FLYWHEEL | 50 | 597 50 59-01 | THROTTLE BODY COVER |
| 10 | 590 92 22-01 | CRANKSHAFT #18 WITH KEY | 51 | 597 50 60-01 | SHIELD - CYLINDER |
| 13 | 597 50 49-01 | MUFFLER | 55 | 587 13 99-01 | OIL DRAIN TUBE W/ CAP NUT |
| 14 | 597 35 80-01 | FUEL TANK ASSEMBLY (PUMP NOT INCLUDED) | 56 | 597 35 99-01 | THROTTLE BODY VAPOR SHIELD |
| 16 | 597 35 81-01 | FUEL CAP | 59 | 597 36 01-01 | RECOIL SHROUD |
| 17 | 597 50 50-01 | THROTTLE BODY ASSEMBLY | 59 | 597 36 02-01 | SHROUD - PTO SIDE |
| 18 | 532 44 39-44 | CDI IGNITION COIL | 60 | 597 36 03-01 | CHARGING COIL (75-WATT AC) |
| 20 | 532 42 92-55 | SPARK PLUG | 62 | 532 44 38-99 | STARTER GRIP-SNOW |
| 23 | 597 35 83-01 | FUELHOSE KIT (QTY3W/CLAMPS) | 65 | 581 37 29-01 | TAPPET KIT (SET OF 2) |
| 28 | 582 62 110-1 | RECOIL STARTER | 69 | 597 50 61-01 | THROTTLE BODY MTG STUD KIT (2) |
| 29 | 582 62 13-01 | STARTER CUP | 72 | 597 36 04-01 | LABEL KIT (HOP) (EFI) |
| 30 | 597 50 530-1 | BLOWER HOUSING | 75 | 590 92 25-01 | WIRE GUIDE PLATE |
| 31 | 597 50 54-01 | CYL COVER (COMPLETE ASSEMBLY) | 77 | 532 43 26-88 | RECOIL BOLT KIT (3 BOLTS PER KIT) |
| 32 | 532 42 92-83 | OIL SEAL KIT | 78 | 585 77 13-01 | BREATHER TUBE RETAINING STRAP |
| 33 | 597 35 88-01 | DIVIDER PLATE (BEWTEEN TANK AND MUFFLER) | 81 | 585 29 72-02 | WOODRUFF FLYWHEEL KEYS |
| 33 | 597 50 55-01 | BRKT SHROUD SUPPORT (BE LOW DIVIDER PLATE) | 82 | 585 02 05-01 | THROTTLE BODY SPACER KIT |
| 33 | 597 35 90-01 | BRACKET - SHROUD MOUNTING (STARTER SIDE) | 85 | 586 32 56-01 | FUEL TANK STRAINER |
| 33 | 597 50 56-01 | BRACKET - SHROUD SUPPORT (THROTTLE BODY SIDE) | 86 | 586 32 74-01 | CYLINDER HEAD BOLT KIT (4) |
| 34 | 532 43 69-66 | SPARK PLUG BOOT - WITH METAL SHIELD | 87 | 586 32 72-01 | CC COVER BOLT KIT (7) |
| 35 | 597 38 29-01 | 12V ELECTRIC STARTER | 91 | 587 99 41-03 | CRANKSHAFT GASKET KIT |
| 36 | 597 50 58-01 | ENGINE GASKET KIT | 92 | 587 99 52-01 | VALVE COVER BOLT W/ SEAL |
| | | | 95 | 597 36 06-01 | FUEL FILTER (EFI) |
| | | | 96 | 597 36 07-01 | FUEL PUMP (EFI) W/SCREWS |
| | | | 9999 | 593 08 46-02 | ECU |

