

CS 2512

Reservdelar

Spare parts

Ersatzteile

Pieces de rechange

Piezas de repuesto

Ricambi

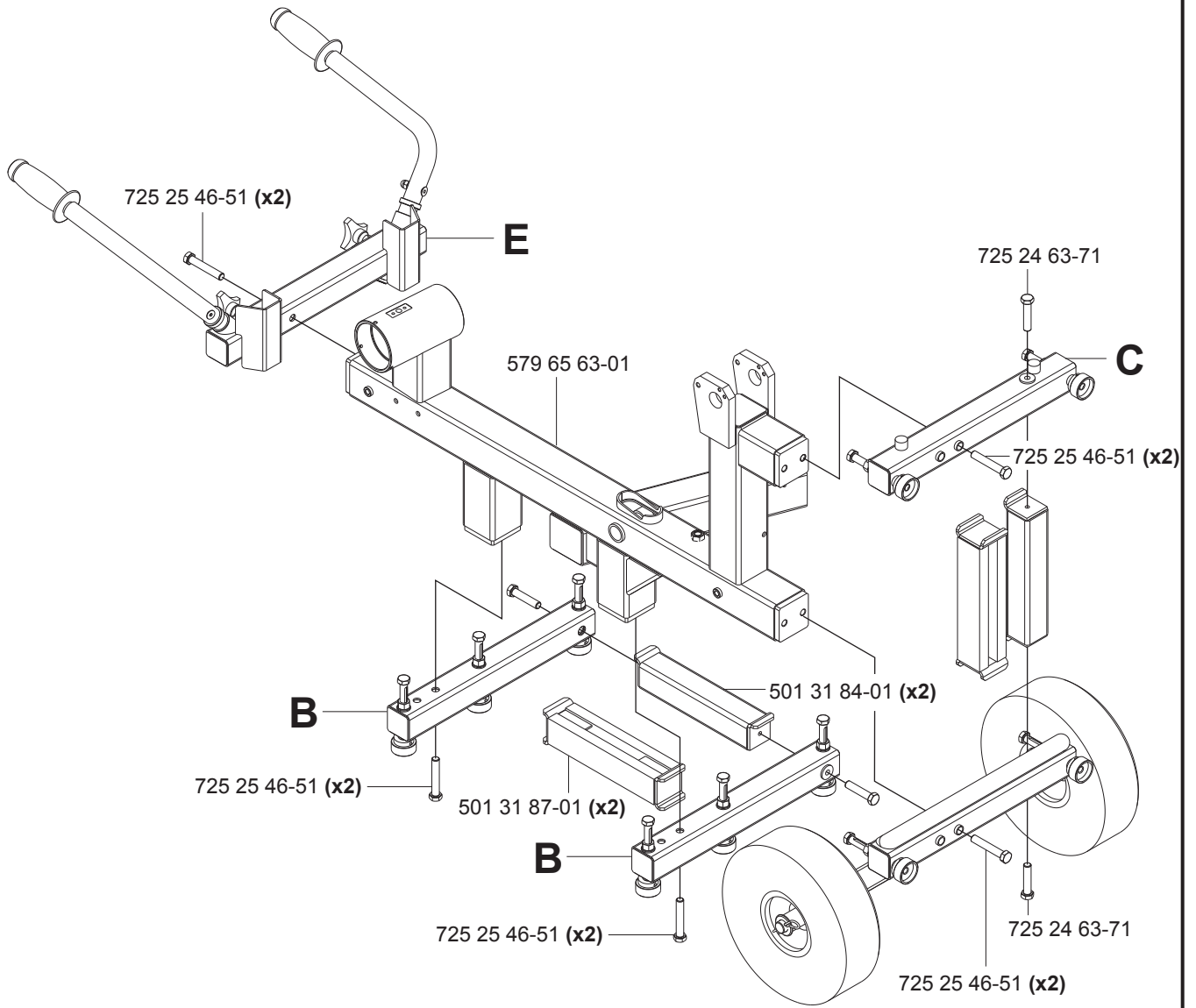
Peças sobresselente

From machine number 1301-

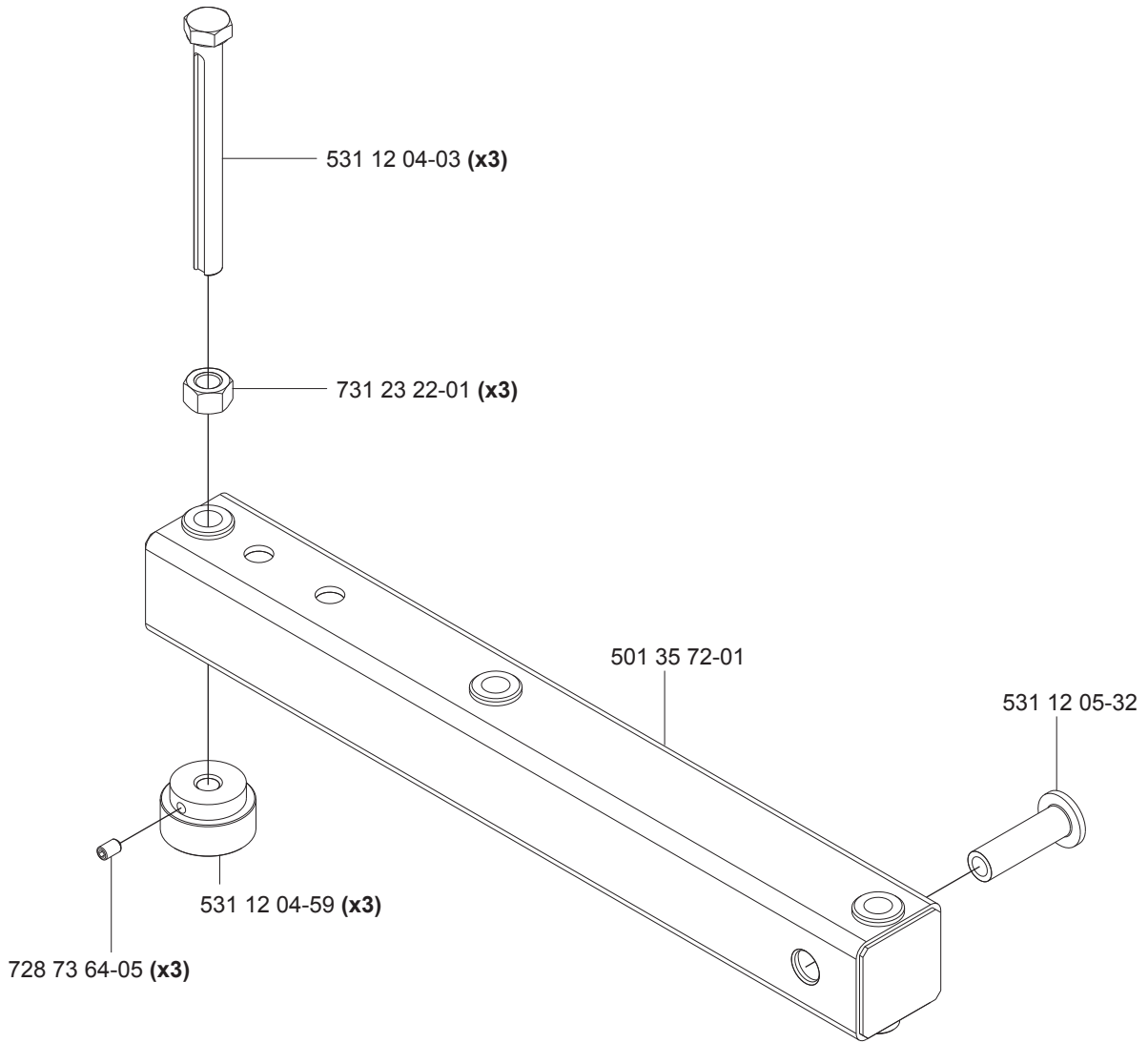
115 04 67-20

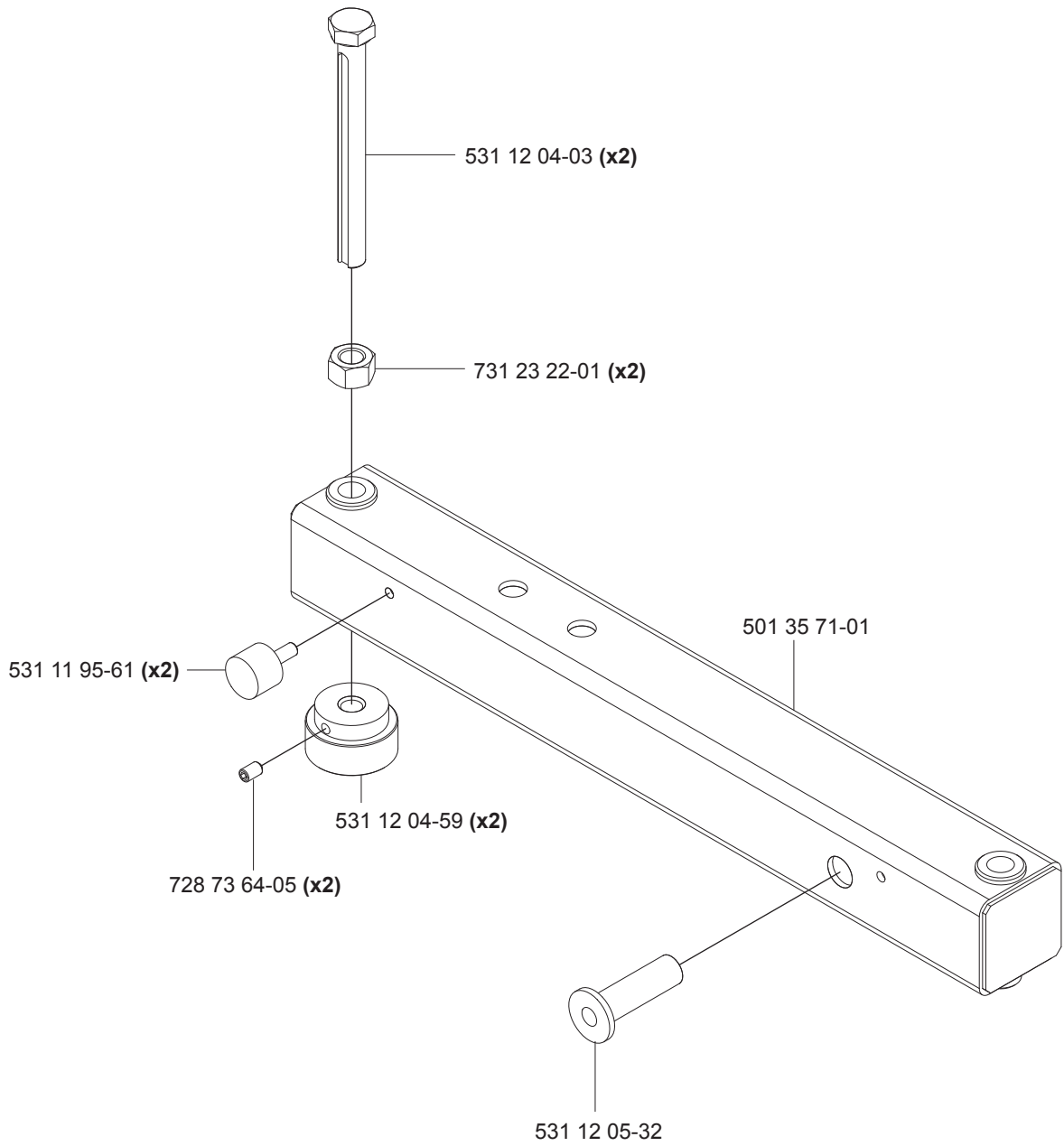
No.	Pos.	Description	No.	Pos.	Description
501 25 94-01	D	Cart	531 11 91-85	N	Sealing washer GB 1/2"
501 31 84-01	A	Cross beam	531 11 92-06	M	Screw M6S 12x40
501 31 87-01	A	Anchor beam	531 11 92-10	FGV	Screw M6S 6x12
501 35 68-01	U	Cover	531 11 92-11	V	Screw M6S 6x16
501 35 69-01	M	Drive unit	531 11 92-23	X	Screw M6SF 6x40
501 35 70-01	E	Handle beam	531 11 92-62	EN	O-ring 18,3x2,4
501 35 71-01	C	Foot beam	531 11 92-63	N	O-ring 19,3x2,4
501 35 72-01	B	Foot	531 11 92-70	N	O-ring 24,2x3
501 35 75-01	V	Cover	531 11 92-73	E	O-ring 29x2,5
501 35 77-01	W	Cover	531 11 93-22	H	Circlip SgH 80
504 90 95-01	P	Bearing housing assembled	531 11 93-32	V	Washer TBR5B 6,4x22
505 43 28-01	S	Sleeve	531 11 93-34	M	V-ring 60
531 11 42-26	N	Hydraulic motor complete	531 11 93-40	N	Plug VSTI R1/2"
531 11 42-95	M	Clamp	531 11 93-42	Y	Plug 1/8"
531 11 43-18	Q	Guide wheel complete	531 11 93-53	W	Screw MLC6S 6x12
531 11 43-45	Q	Align device	531 11 94-26	V	Screw K6S 6x16
531 11 43-54	T	Rod	531 11 94-81	FG	Circlip SgA 25
531 11 43-70	E	Handle	531 11 94-95	D	Washer BRB 21x36
531 11 43-73	M	Tommy screw	531 11 94-96	E	Spring pin FRP 10x36
531 11 43-80	V	Frame	531 11 94-97	E	Screw cap MHM M8
531 11 43-83	W	Frame	531 11 95-02	L	Screw M6SF 6x16
531 11 43-88	W	Handle	531 11 95-04	H	O-ring OR 71,12x2,62
531 11 43-89	V	Bar	531 11 95-06	V	Spring
531 11 43-93	W	Bracket	531 11 95-07	E	Spring
531 11 43-94	EP	Handle	531 11 95-08	JK	Spring
531 11 43-95	P	Pivot house	531 11 95-10	FG	Screw K6S 6x10
531 11 43-96	P	Swivel pulley complete	531 11 95-11	FU	Screw K6S 8x16
531 11 43-97	P	Fork	531 11 95-14	H	Bearing NU 208 EC
531 11 44-14	J	Angle shaft	531 11 95-15	H	Sealing BA 56x80x8
531 11 44-17	K	Angle shaft	531 11 95-21	FH	Grease nipple M8x1,25
531 11 44-18	F	Hydraulic cylinder	531 11 95-24	Q	Screw K6S 10x20
531 11 44-26	Y	Pressure reducing block complete	531 11 95-28	M	V-ring 85
531 11 44-51	MO	Drive wheel complete	531 11 95-29	HM	Bearing 6208-2RS1
531 11 44-70	F	Shaft	531 11 95-42	V	Screw K6S 6x40
531 11 44-79	N	Hydraulic motor	531 11 95-43	W	Screw K6S 6x35
531 11 44-83	N	Shaft seal set	531 11 95-44	W	Screw K6S 6x50
531 11 73-72	S	Rubber grommet	531 11 95-45	P	Sealing CR 65x80x8
531 11 80-03	S	Quick coupling Tema 1800	531 11 95-48	E	Handle
531 11 80-04	S	Nipple	531 11 95-49	Q	Seeger circlip SGA 28
531 11 80-18	S	Ball valve 3/8"	531 11 95-50	JK	Washer 15x21x1
531 11 80-34	N	Coupling	531 11 95-52	JK	Spring lug
531 11 80-41	N	Quick coupling, female	531 11 95-54	X	Clamp
531 11 80-42	N	Quick coupling, male	531 11 95-55	F	Shim 28x40x2
531 11 80-45	XY	Quick coupling 1/8" Female	531 11 95-57	DT	Locking pin 3mm
531 11 80-46	Y	Quick coupling 1/8" male	531 11 95-58	F	Hose clamp ABA 58-75
531 11 80-78	Y	Pressure reducing valve	531 11 95-59	T	Angled ball joint DIN 71802
531 11 81-99	Y	Knob	531 11 95-61	C	Rubber buffer
531 11 82-18	S	Quick coupling male 13411	531 11 95-66	U	Screw M6S 8x85
531 11 82-95	N	Banjo	531 11 95-69	N	Shaft seal
531 11 82-98	Y	Manometer	531 11 95-89	OW	Screw K6S 6x20
531 11 82-99	Y	Rubber cover	531 11 95-98	H	Bearing HK 4018 RS
531 11 83-03	Y	Non return valve	531 12 00-50	O	Rubber band
531 11 83-04	S	Nut 3/8	531 12 00-51	M	Cap
531 11 83-09	X	Banjobolt	531 12 00-52	M	Ring
531 11 83-19	S	Connector Loc-Line 41406	531 12 00-56	M	Drive shaft
531 11 83-20	S	Muff 1/4" x 3/8"	531 12 00-57	M	Ring
531 11 83-21	S	Nipple 3/8"-3/8"	531 12 01-24	FG	Shaft
531 11 83-22	S	Angle jet Loc-Line 41473	531 12 01-35	N	Block 2-speed
531 11 83-24	S	Angle knee 1/4"	531 12 01-36	N	Return block
531 11 83-26	S	Nipple 1/4 - 3/8	531 12 01-37	N	Adapter
531 11 83-40	X	Valve	531 12 01-38	N	Adapter
531 11 83-49	X	Hydraulic coupling	531 12 01-39	N	Nipple
531 11 90-07	D	Wheel	531 12 02-85	M	Washer
531 11 90-40	H	Washer 40x60x1	531 12 03-07	S	Water valve block
531 11 90-45	N	Ball	531 12 03-09	S	Water tube
531 11 90-98	N	Spring	531 12 03-47	L	Index plate
531 11 90-99	N	Ball 6 mm	531 12 03-64	F	Bellows
531 11 91-49	N	Thrust needle bearing	531 12 03-83	P	Rod
531 11 91-81	P	Washer 10,5x22	531 12 04-02	E	Pin, handle
531 11 91-83	MV	Washer BRB 13x24	531 12 04-03	BCD	Screw

No.	Pos.	Description	No.	Pos.	Description
531 12 04-05	W	Cover sheet	725 63 27-51	N	Screw MF6S 5x12
531 12 04-49	V	Stop	725 64 59-51	E	Screw MF6S 8x40
531 12 04-59	BCD	Nut	728 73 60-05	FG	Set screw S6SS 6x6
531 12 04-64	P	Cover	728 73 64-05	BCD	Set screw S6SS 6x10
531 12 04-69	M	Lock plate	728 83 27-05	H	Stop screw SK6SS 5x12
531 12 04-72	K	Bracket	728 84 43-01	HJK	Set screw SK6SS 8x8
531 12 04-79	JK	Spring hook	731 23 18-01	FJK	Nut M6M M8
531 12 04-80	JK	Hook	731 23 22-01	BCDT	Nut M6M M12
531 12 04-88	F	Pionter	732 25 16-01	OVW	Nut Loc-King M6
531 12 04-92	S	Water tube	732 25 18-01	JUX	Nut Loc-King M8
531 12 04-93	S	Bracket	732 25 20-01	P	Nut M10 nylock
531 12 05-11	JK	Roll	732 25 22-71	M	Nut Loc-King M12
531 12 05-32	BCD	Sleeve	734 11 52-01	OW	Washer BRB 6,4x12
531 12 05-33	G	Angular scale	734 11 63-01	JUV	Washer BRB 8,4x16
531 12 05-39	V	Sleeve	735 31 17-00	JK	Circlip SgA 15
531 12 05-40	V	Brass washer	735 31 37-00	HM	Circlip SgA 40
531 12 05-49	H	Cover	735 31 37-10	N	Seeger circlip SGH 40
531 12 05-61	H	Cover	735 31 42-00	P	Circlip SgA 50
531 12 05-62	H	Plug	738 21 07-04	PQ	Bearing
531 12 05-64	H	Sealing ring	738 21 10-04	P	Bearing 6010-2RS1
531 12 05-65	H	Flange	740 38 18-01	XY	Sealing washer GB 1/8"
531 12 05-67	H	Spacer ring	740 38 27-01	Y	Sealing washer GB 1/4"
531 12 06-32	N	Support washer	740 38 34-01	JKXY	Sealing washer GB 3/8"
531 12 06-51	X	Valve block	740 43 06-00	FG	O-ring
531 12 06-54	X	Cylinderhose	740 43 06-00	P	O-ring 8,3x2,4
531 12 06-55	X	Hose 230mm	740 43 07-00	N	O-ring 9,3x2,4
531 12 13-79	M	Triangular knob	740 43 12-00	J	O-ring 14,3x2,4
531 12 14-02	N	Valve lever hub	740 44 12-00	H	O-ring 39,2x3
531 12 20-85	N	Valve plate			
531 12 20-87	N	Valve			
531 12 31-00	XY	Marking washer			
531 12 41-80	S	Nipple 3/8			
531 14 20-25	N	Nipple 1/2			
531 14 21-11	Y	Pressure reducing block			
531 14 21-21	Y	Hose 1/8"-1/4"			
531 14 21-22	Y	Hose 1/8"-3/8"			
574 26 85-01	W	Nut			
576 31 41-01	P	Shaft			
576 31 42-01	Q	Cover lid			
576 31 44-01	Q	Cover lid			
576 31 47-01	P	Cover lid			
576 61 43-01	PQ	Dust seal			
576 61 51-01	PQ	Clip			
577 40 11-01	FG	Grease nipple			
579 40 24-01	PQ	Wheel			
579 40 25-01	H	Pulley			
579 65 63-01	AL	Frame			
579 65 64-01	G	Arm			
579 65 66-01	H	Distance			
579 65 67-01	FG	Cover			
579 65 69-01	H	Shaft			
579 65 99-01	P	Pulley assy			
579 66 05-01	H	Pulley assy			
579 66 14-01	Q	Shaft			
579 70 28-01	Q	Pulley assy			
720 12 65-50	N	Cylindric pin			
721 42 58-00	N	Spring pin FRP 4x20			
721 44 11-00	M	Spring pin FRP 10x20			
725 24 63-71	A	Screw M6S 8x60			
725 24 67-51	S	Screw			
725 24 69-51	F	Screw M6S 8x90			
725 25 09-51	P	Screw M6S 10x90			
725 25 46-51	A	Screw M6S 12x70			
725 53 31-01	W	Screw MC6S 5x20			
725 53 68-01	N	Screw MC6S 6x16			
725 54 53-01	LM	Screw MC6S 8x25			
725 54 55-01	X	Screw MC6S 8x35			
725 54 59-01	N	Screw MC6S 8x40			
725 54 62-01	M	Screw MC6S 8x55			
725 54 69-51	J	Screw MC6S 8x90			

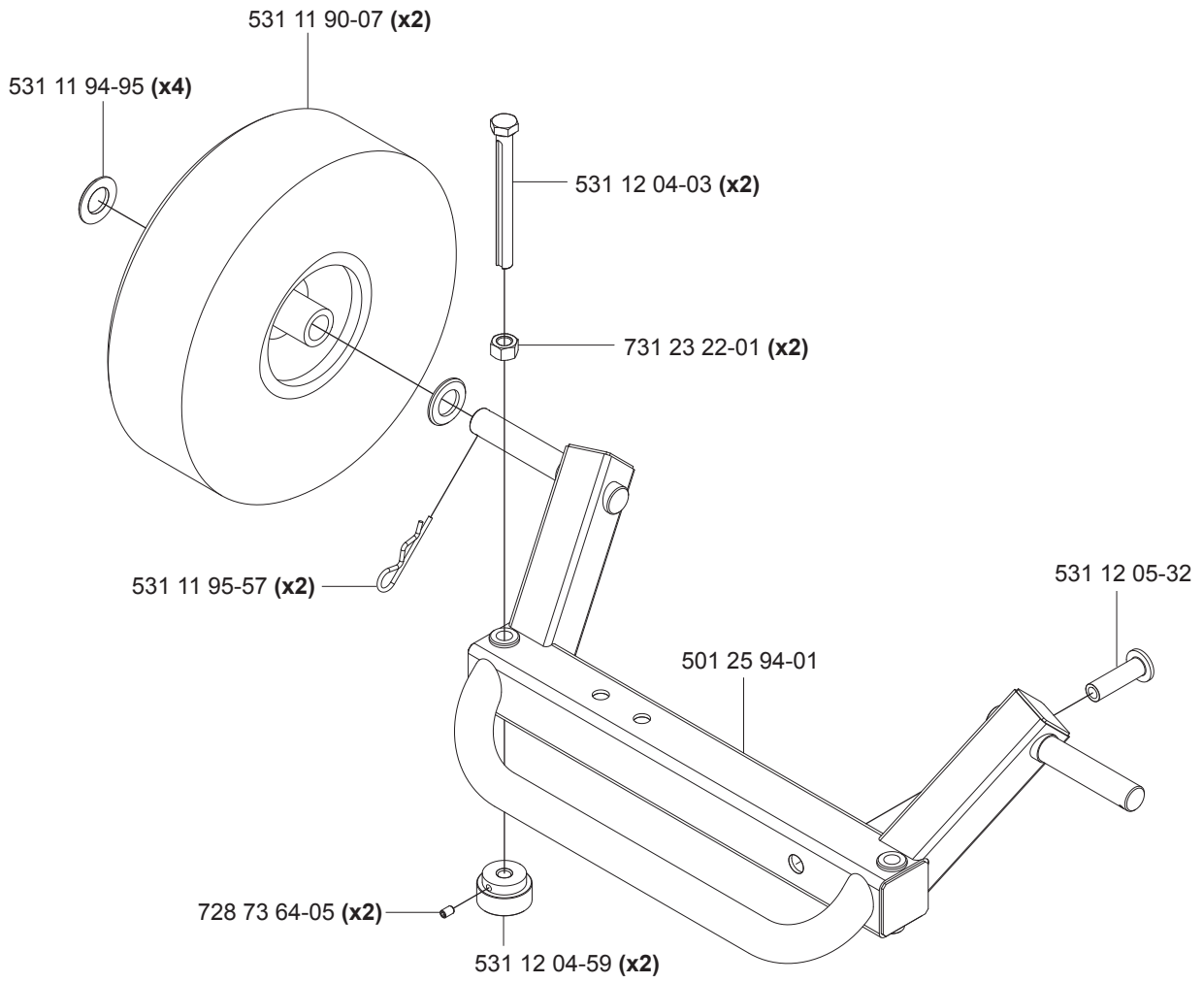


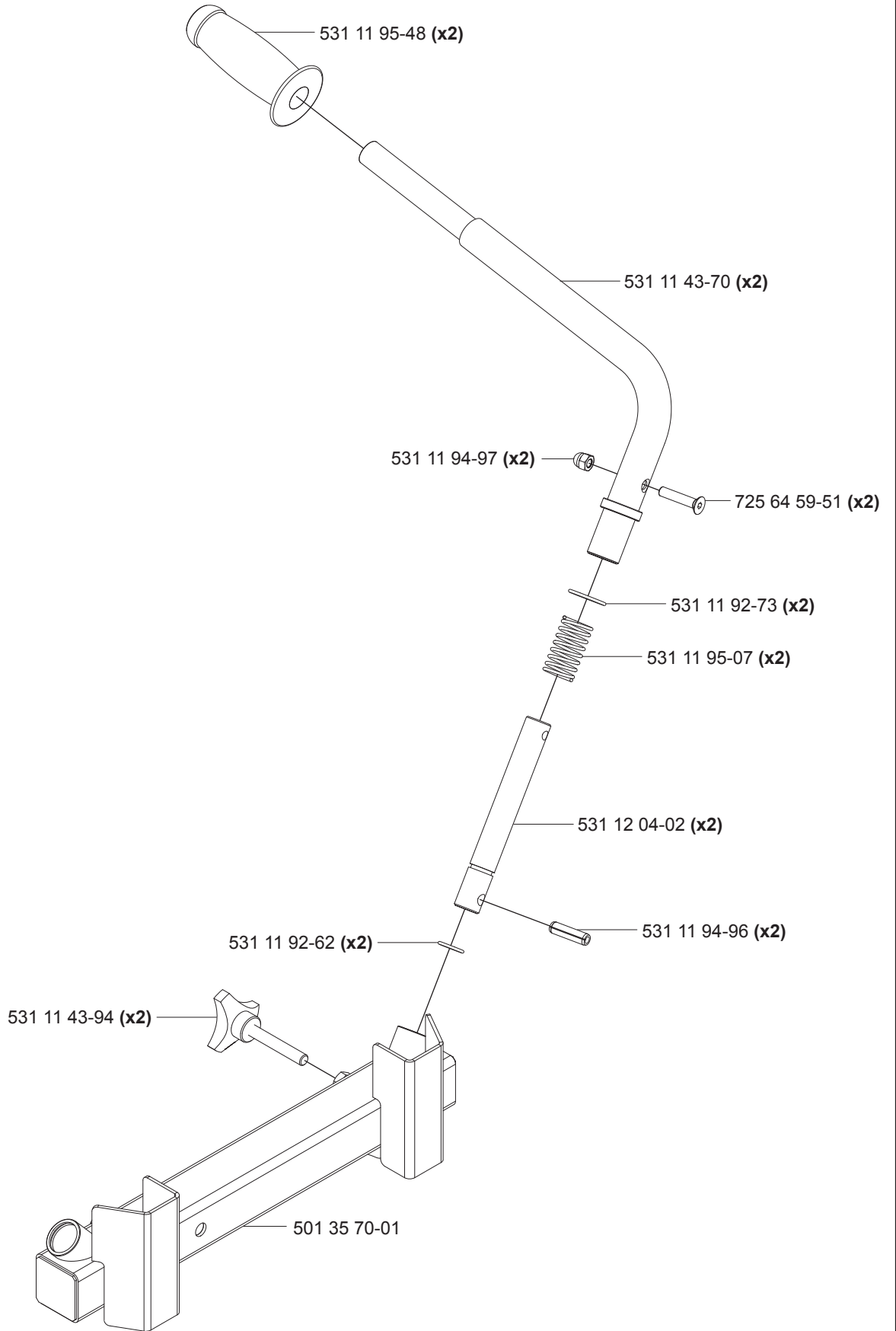
B CS 2512

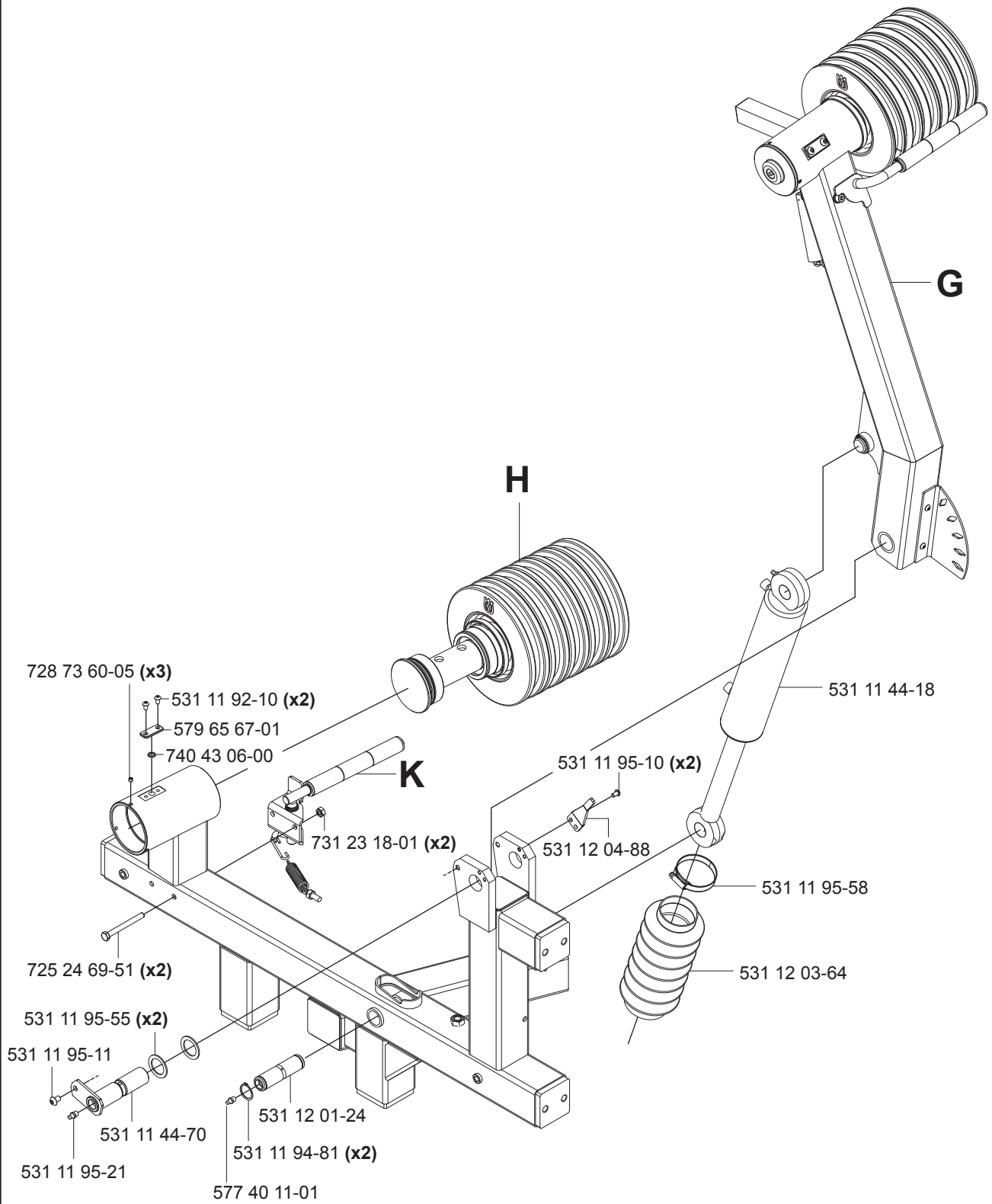


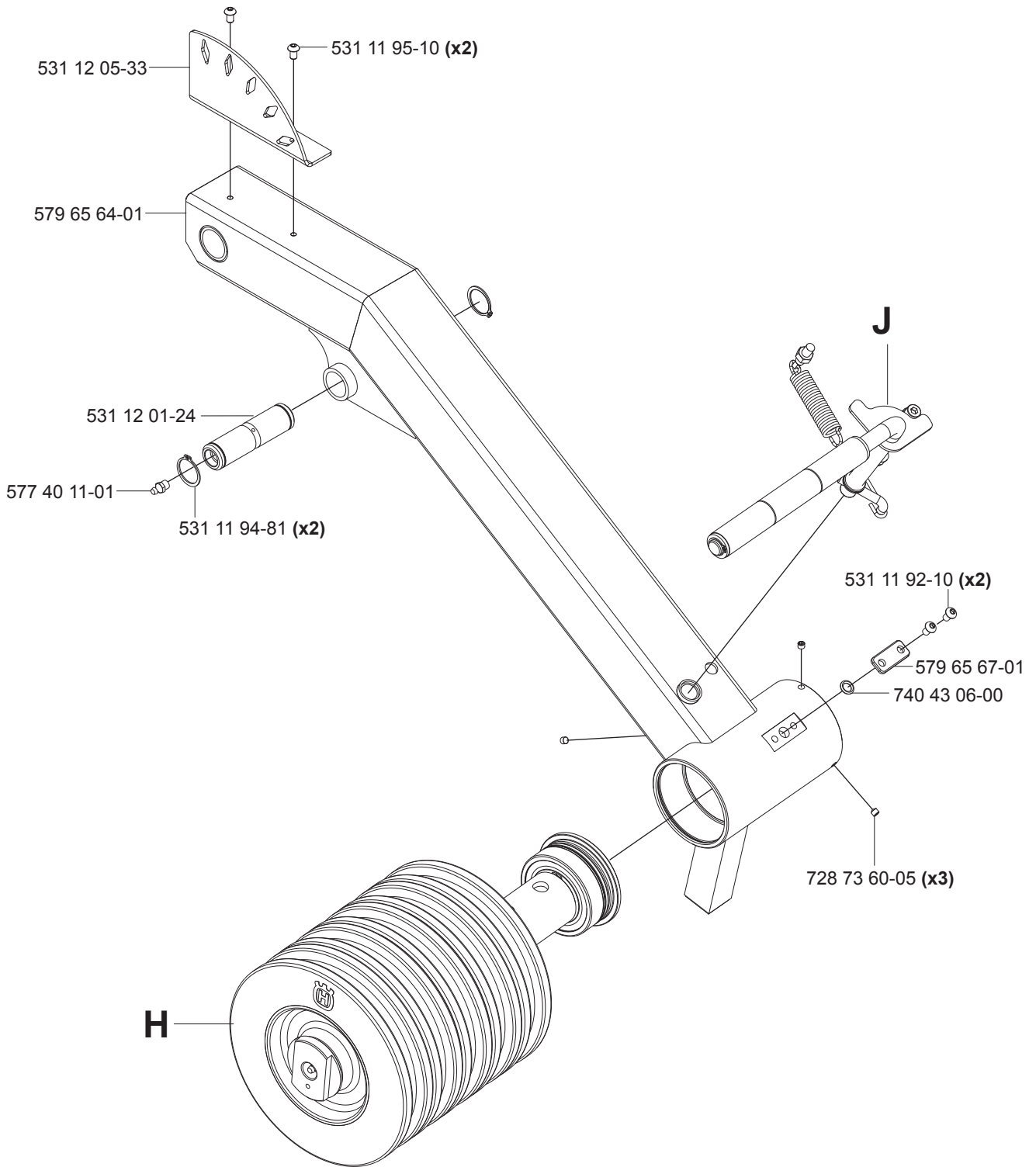


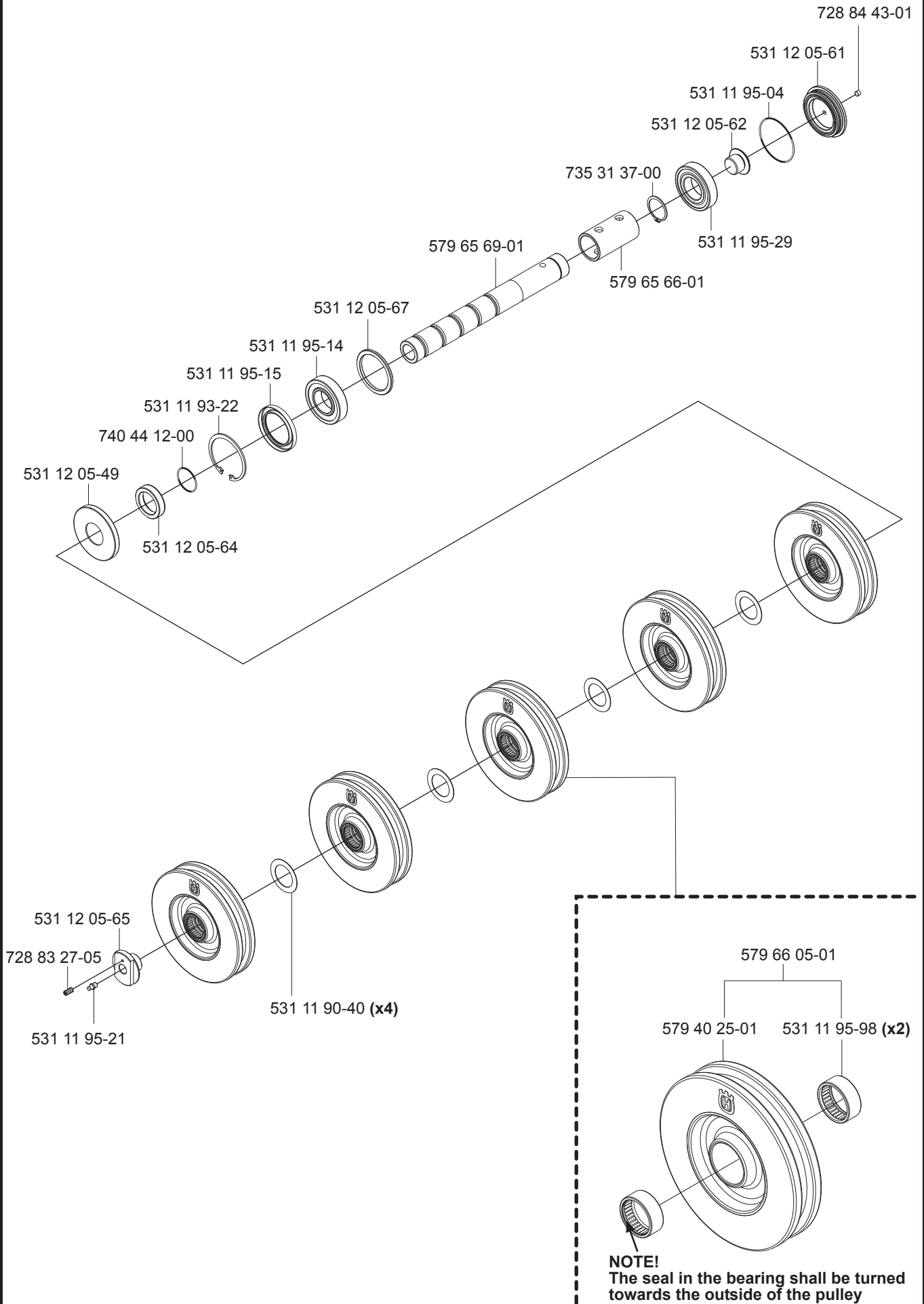
D CS 2512



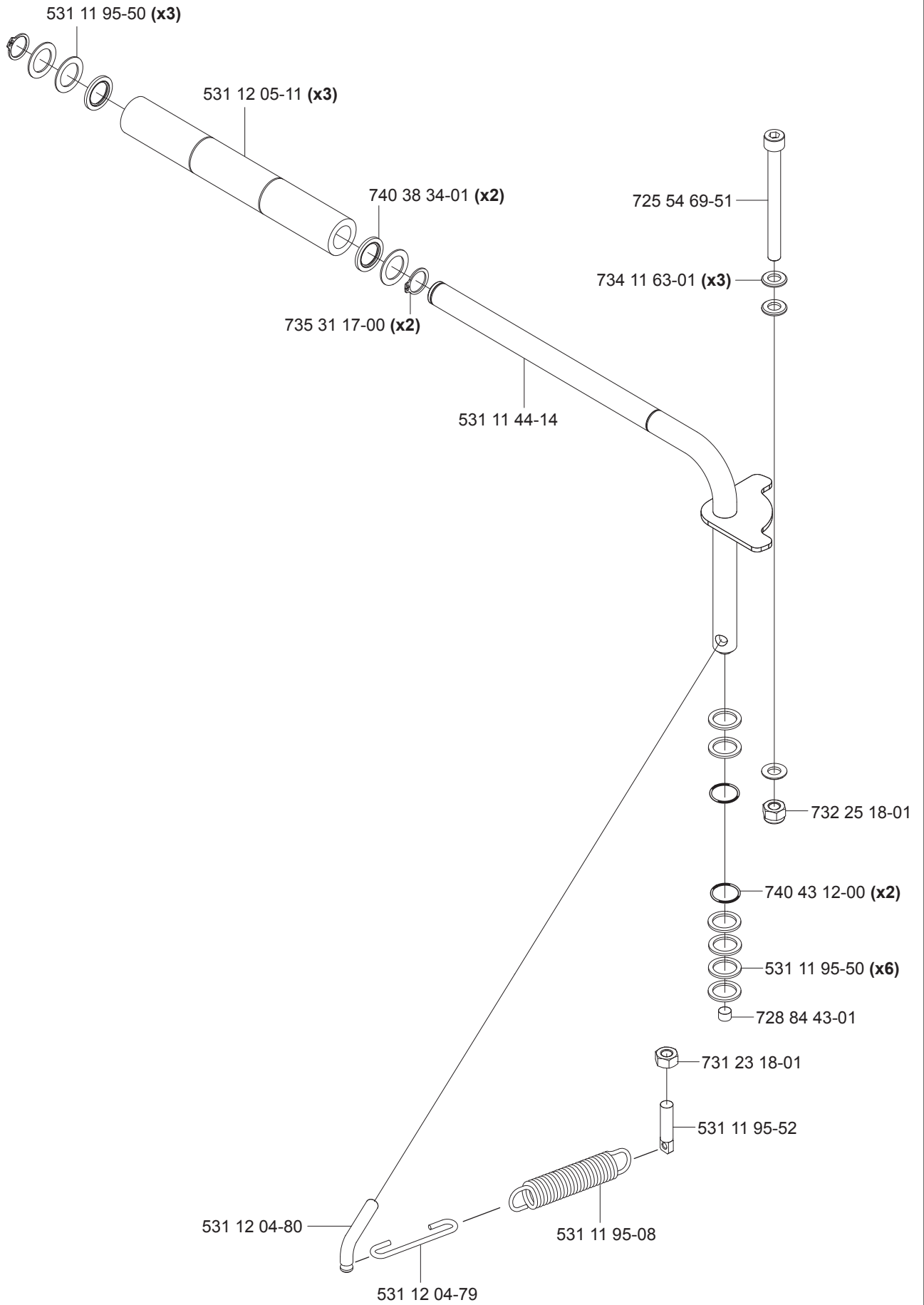


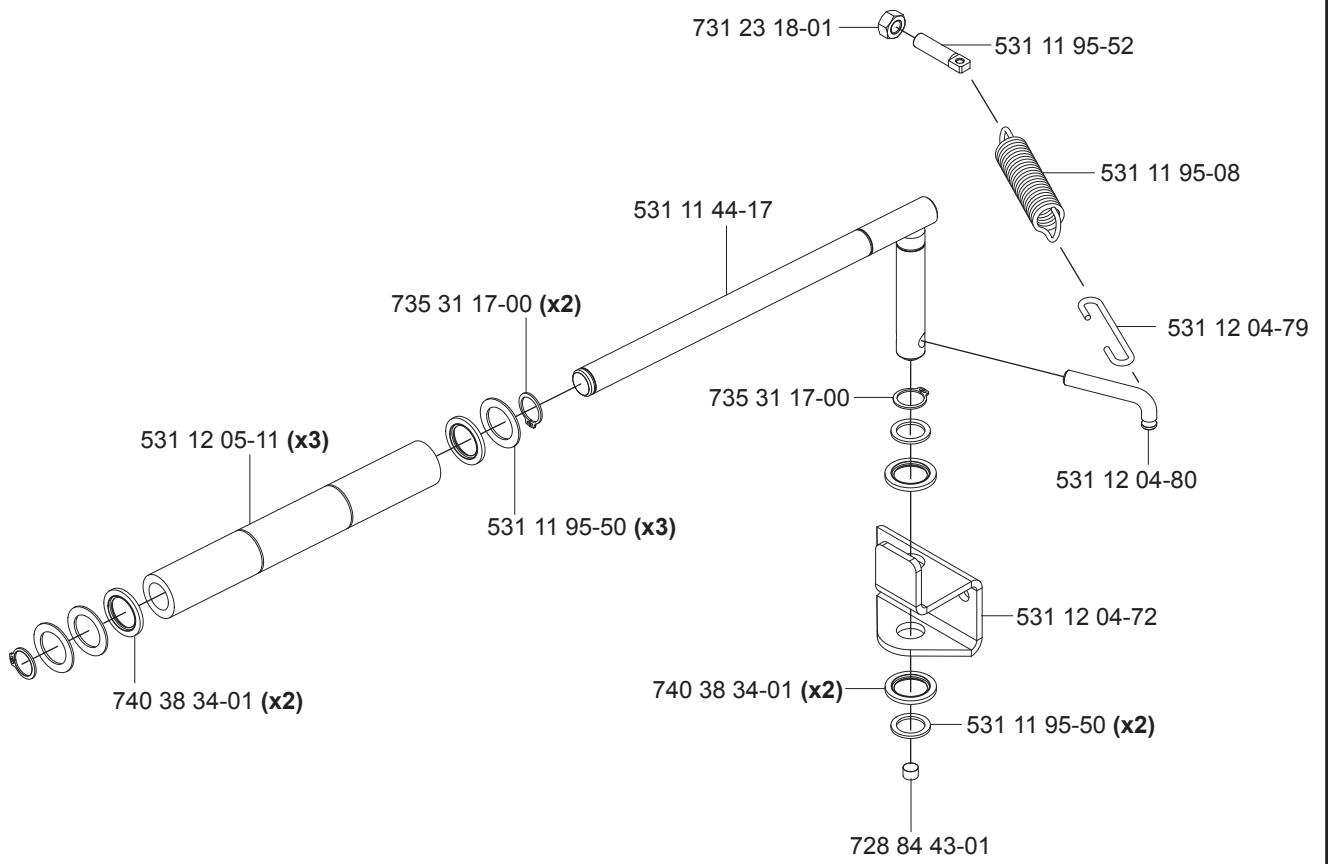


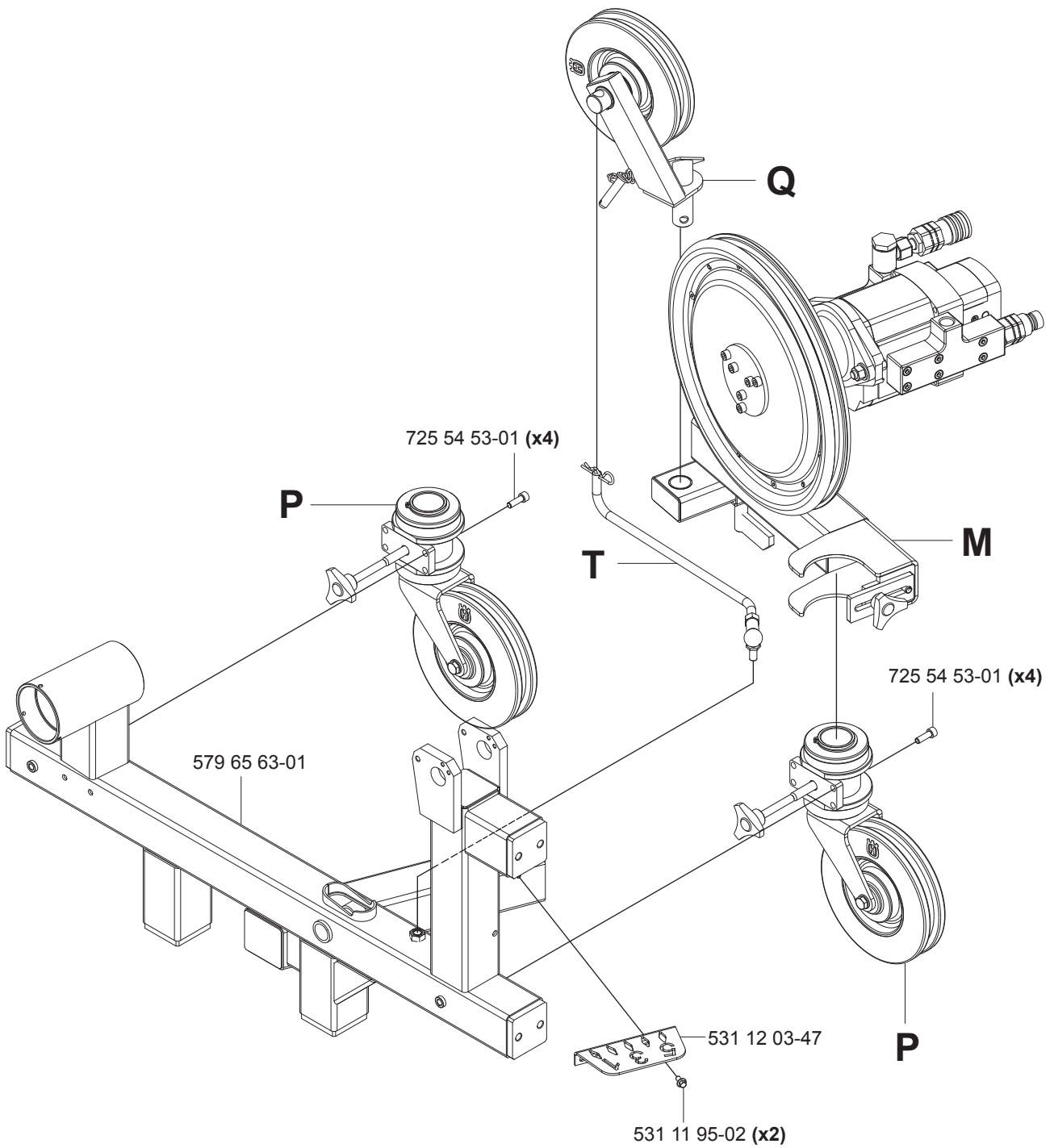




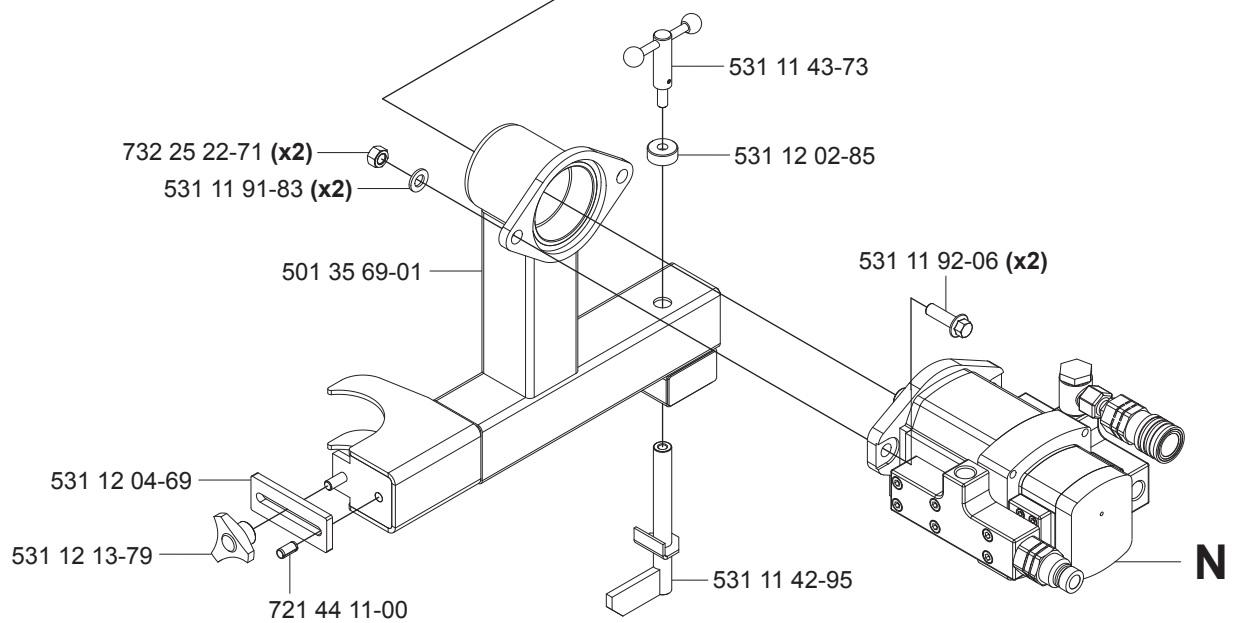
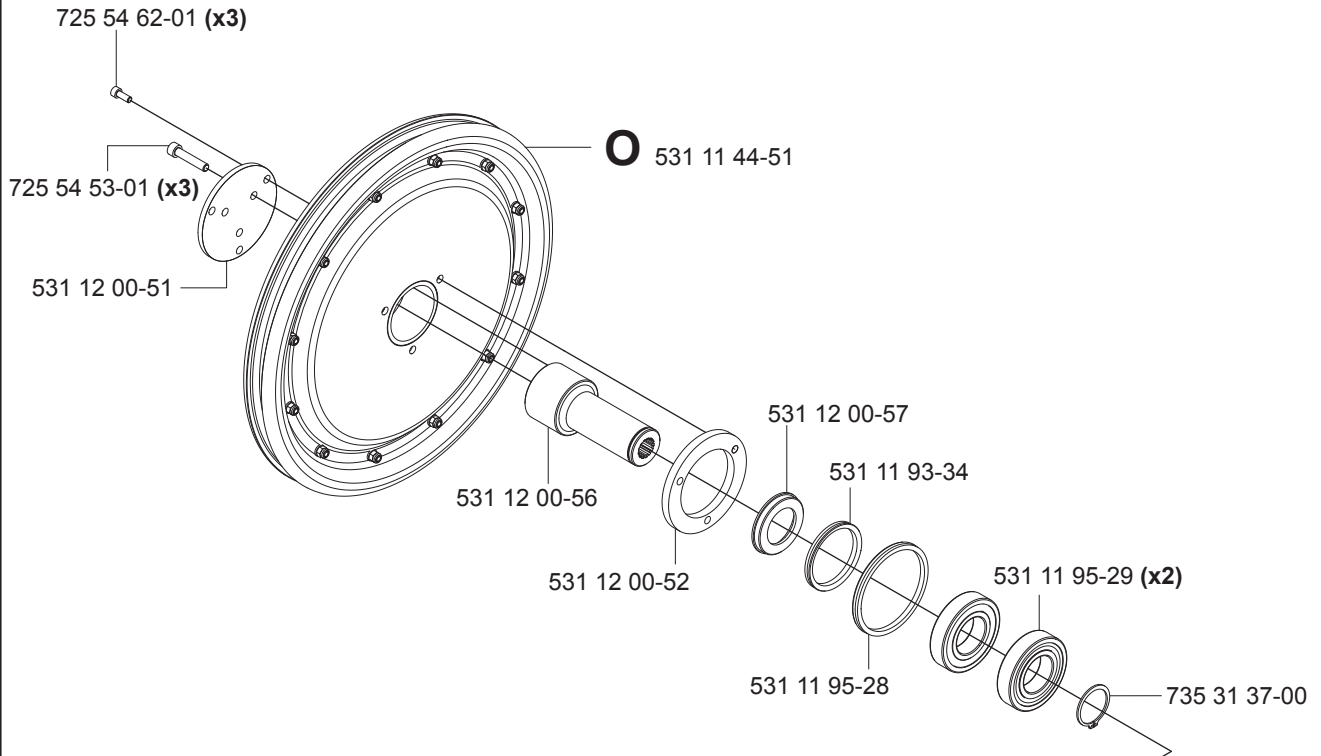
J CS 2512

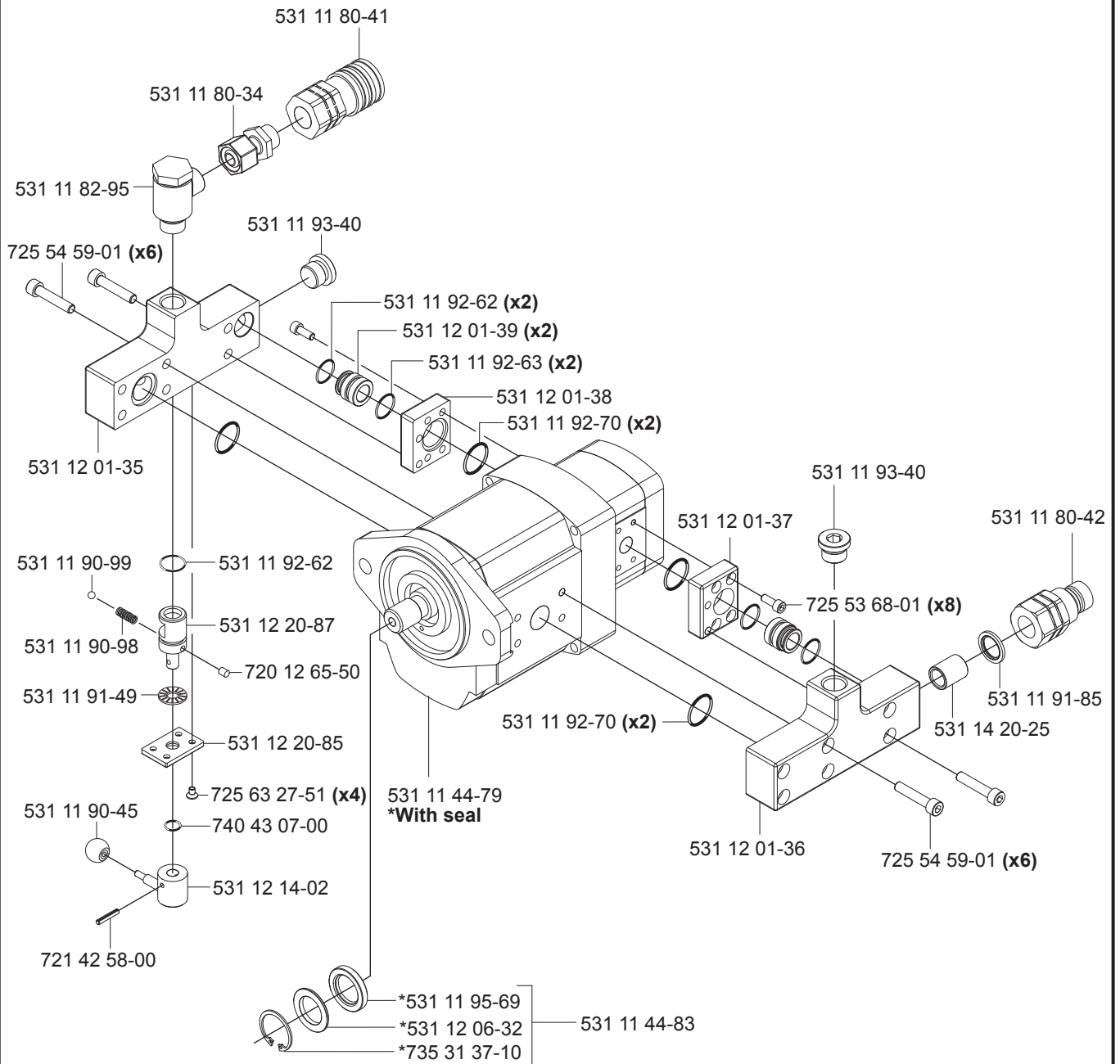






M CS 2512

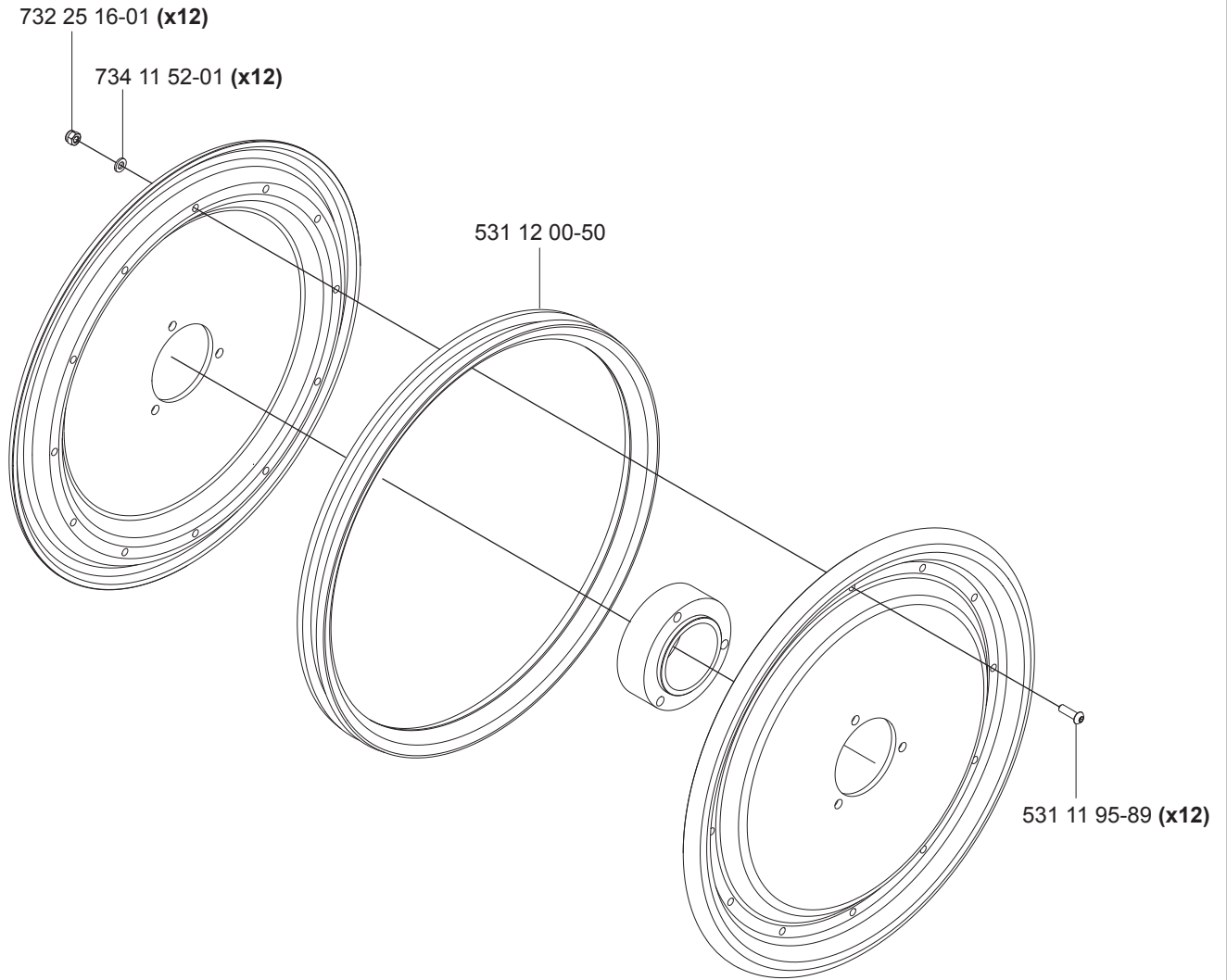


N**CS 2512****Hydraulic motor complete 531 11 42-26**

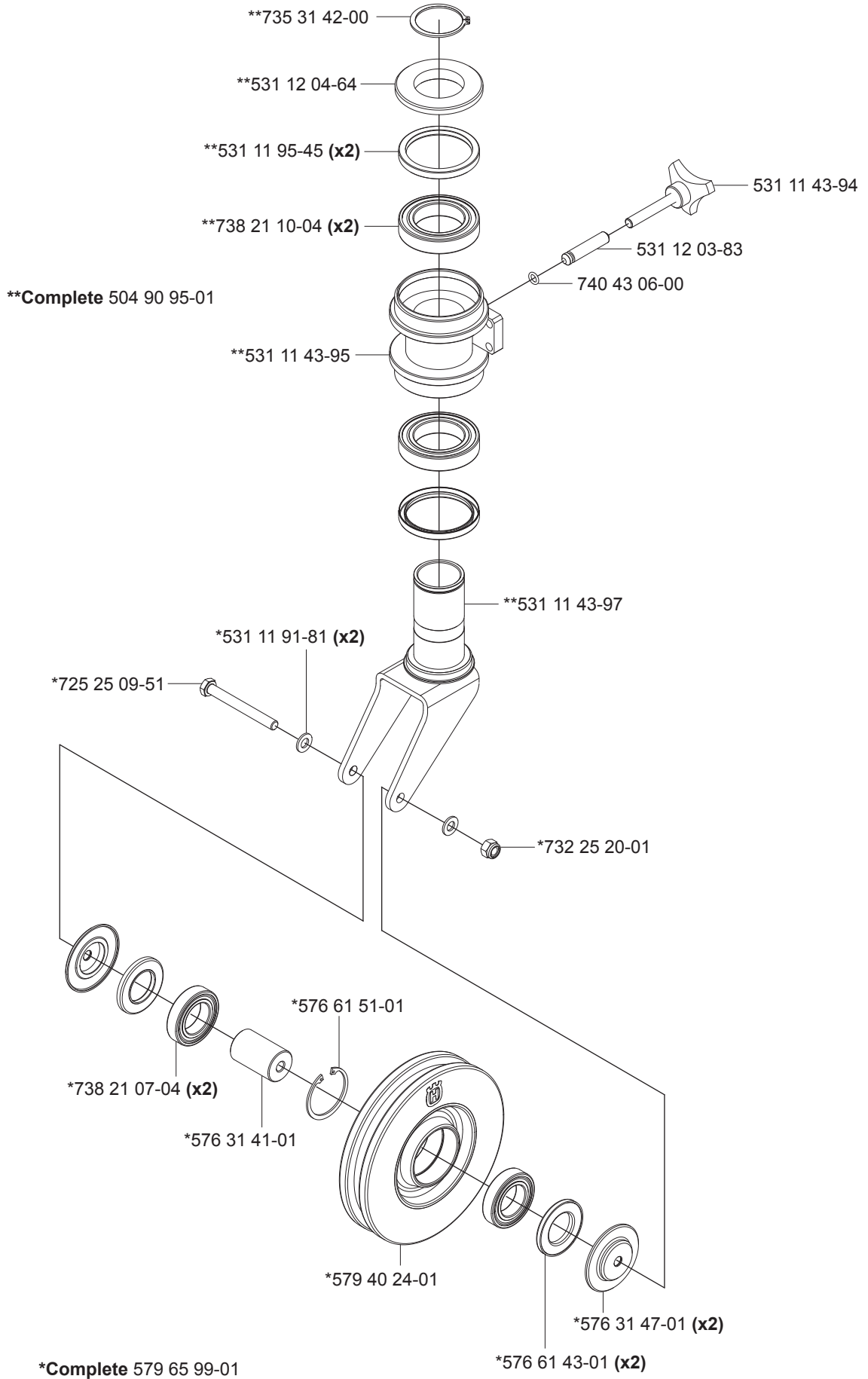


CS 2512

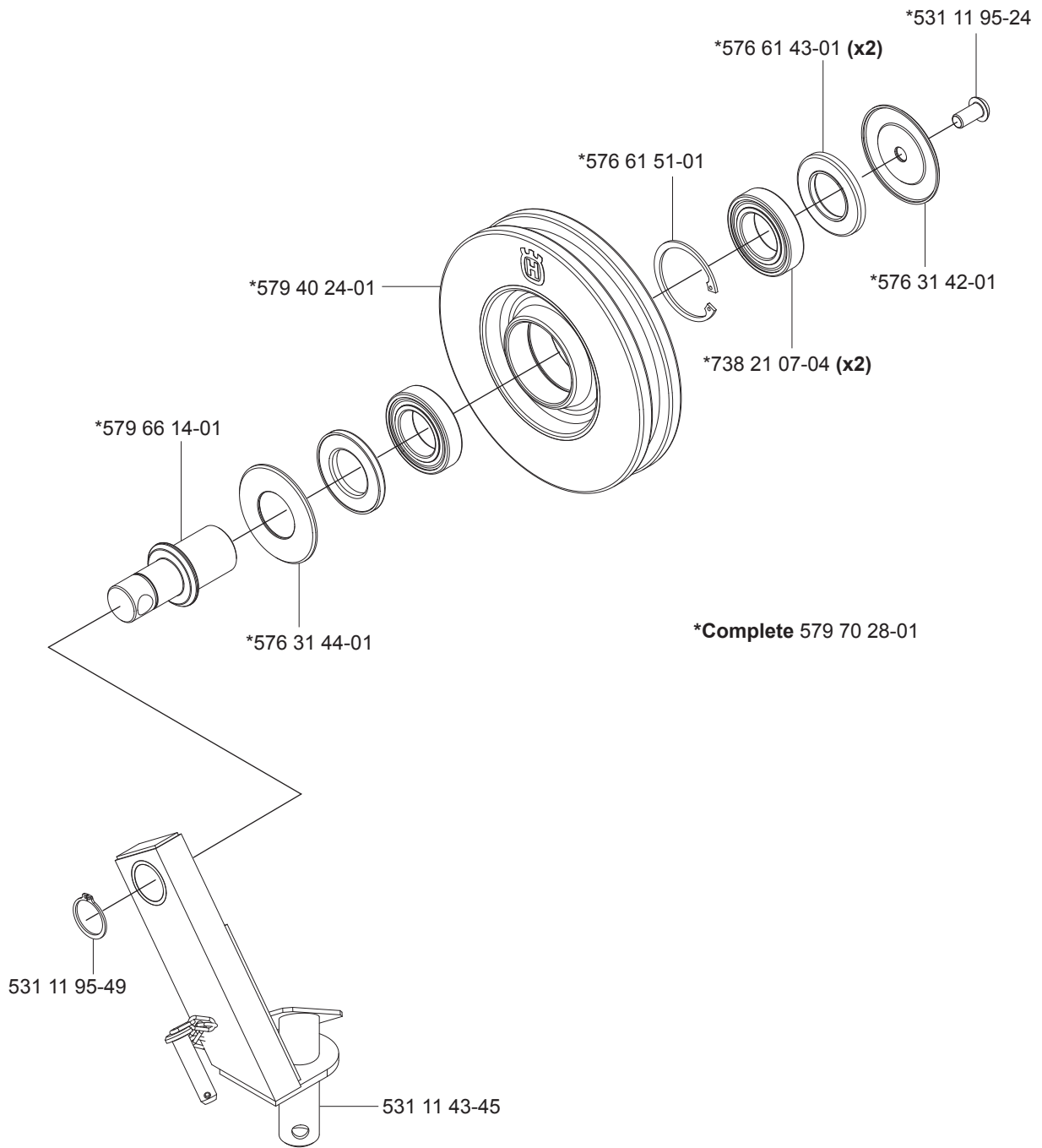
Drive wheel complete 531 11 44-51

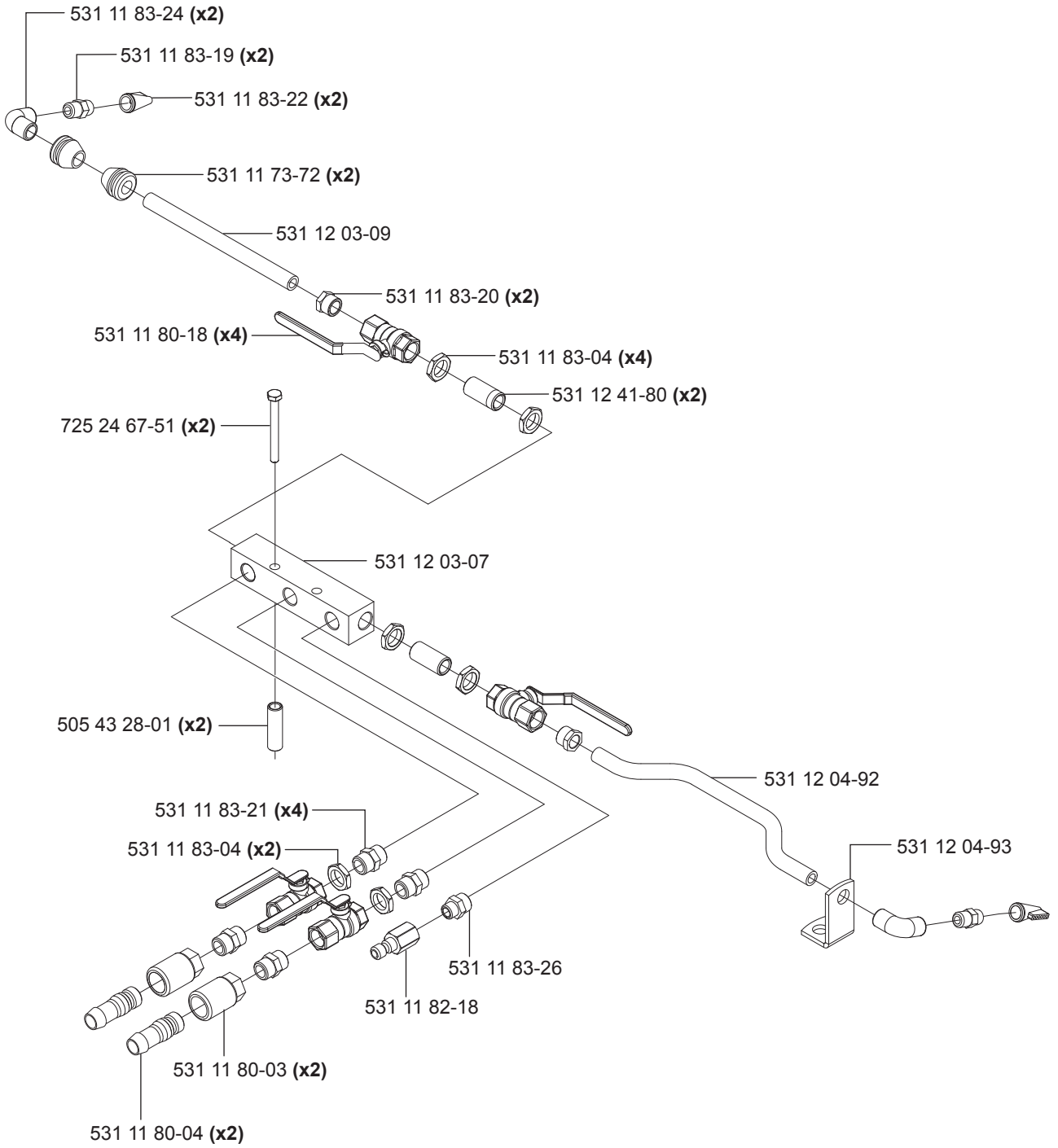


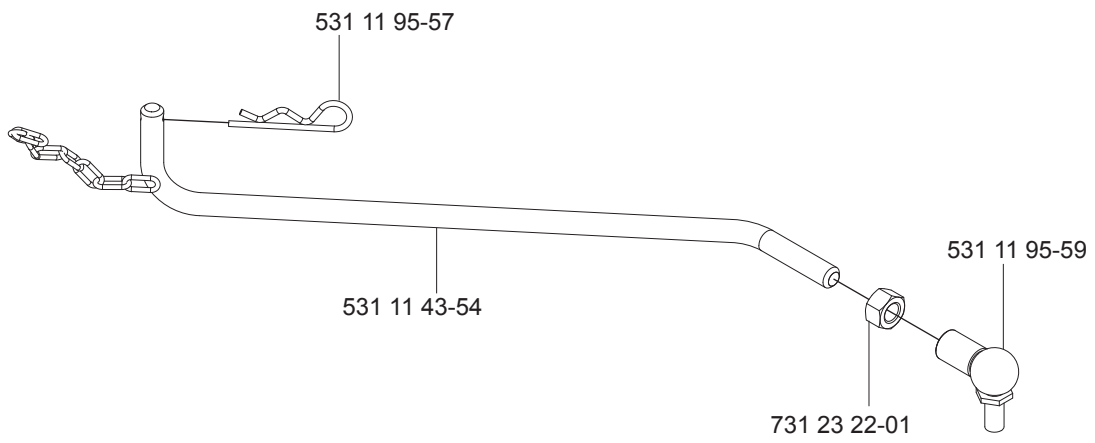
P CS 2512 Swivel pulley complete 531 11 43-96

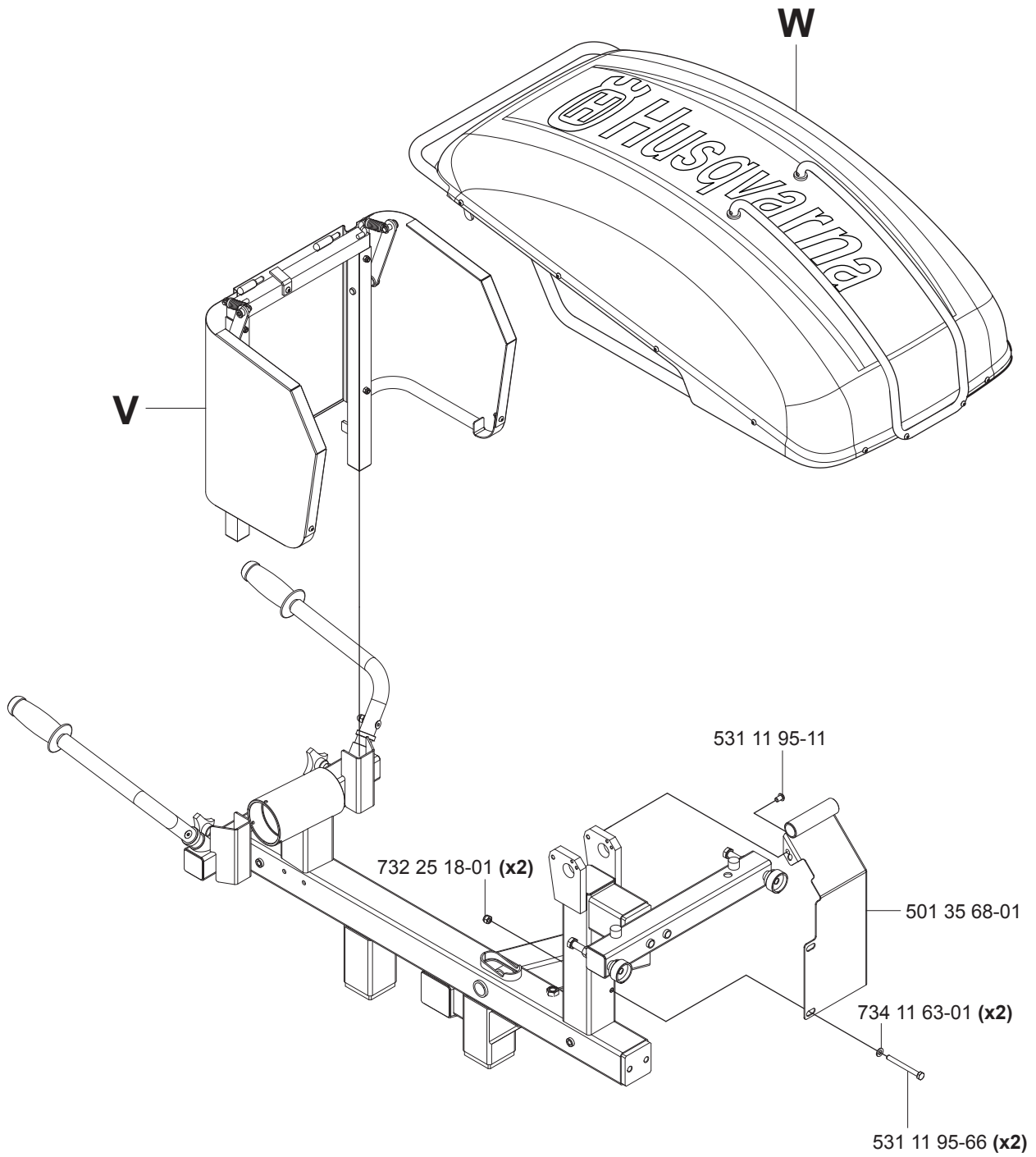


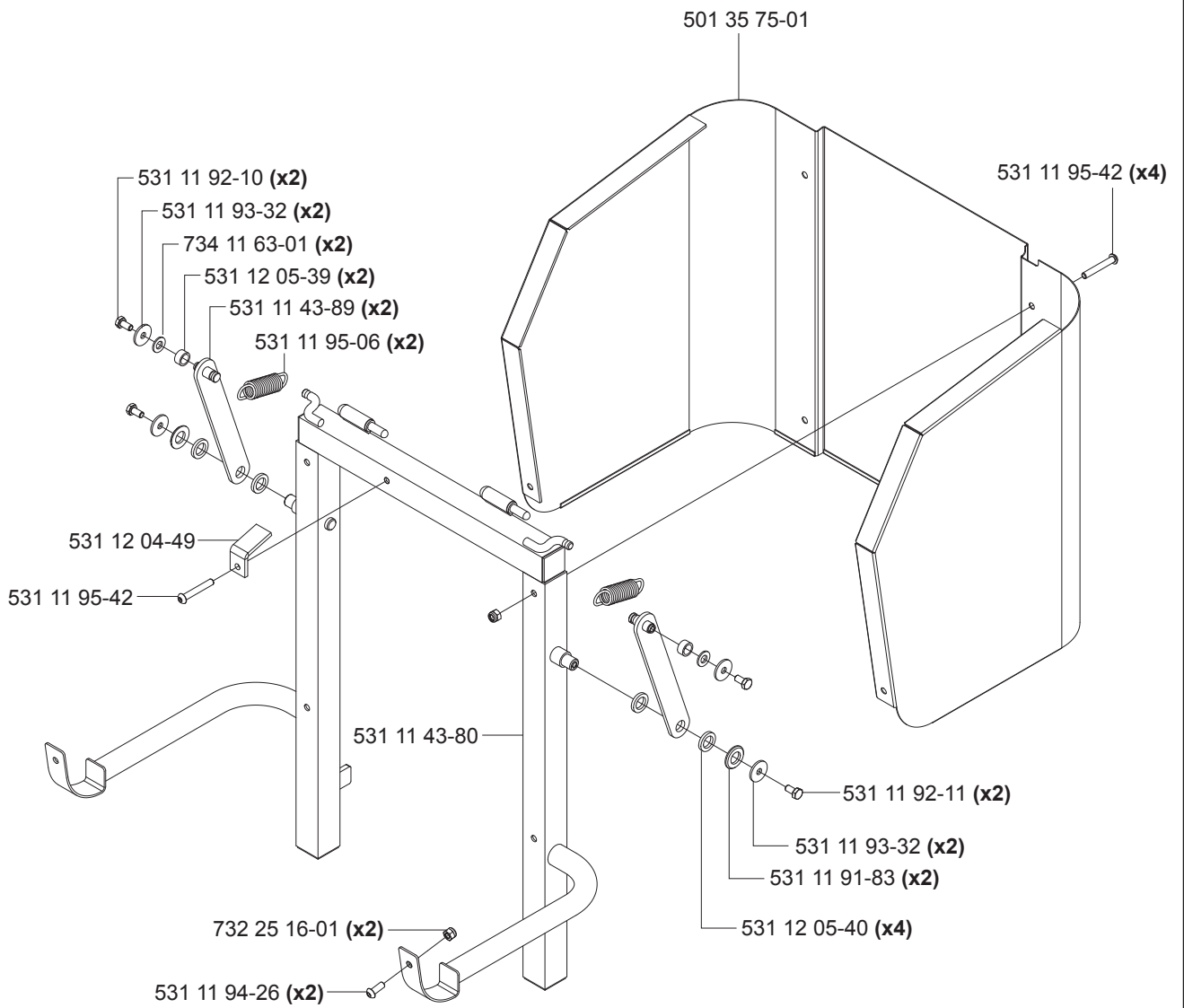
Q CS 2512 Guide wheel complete 531 11 43-18

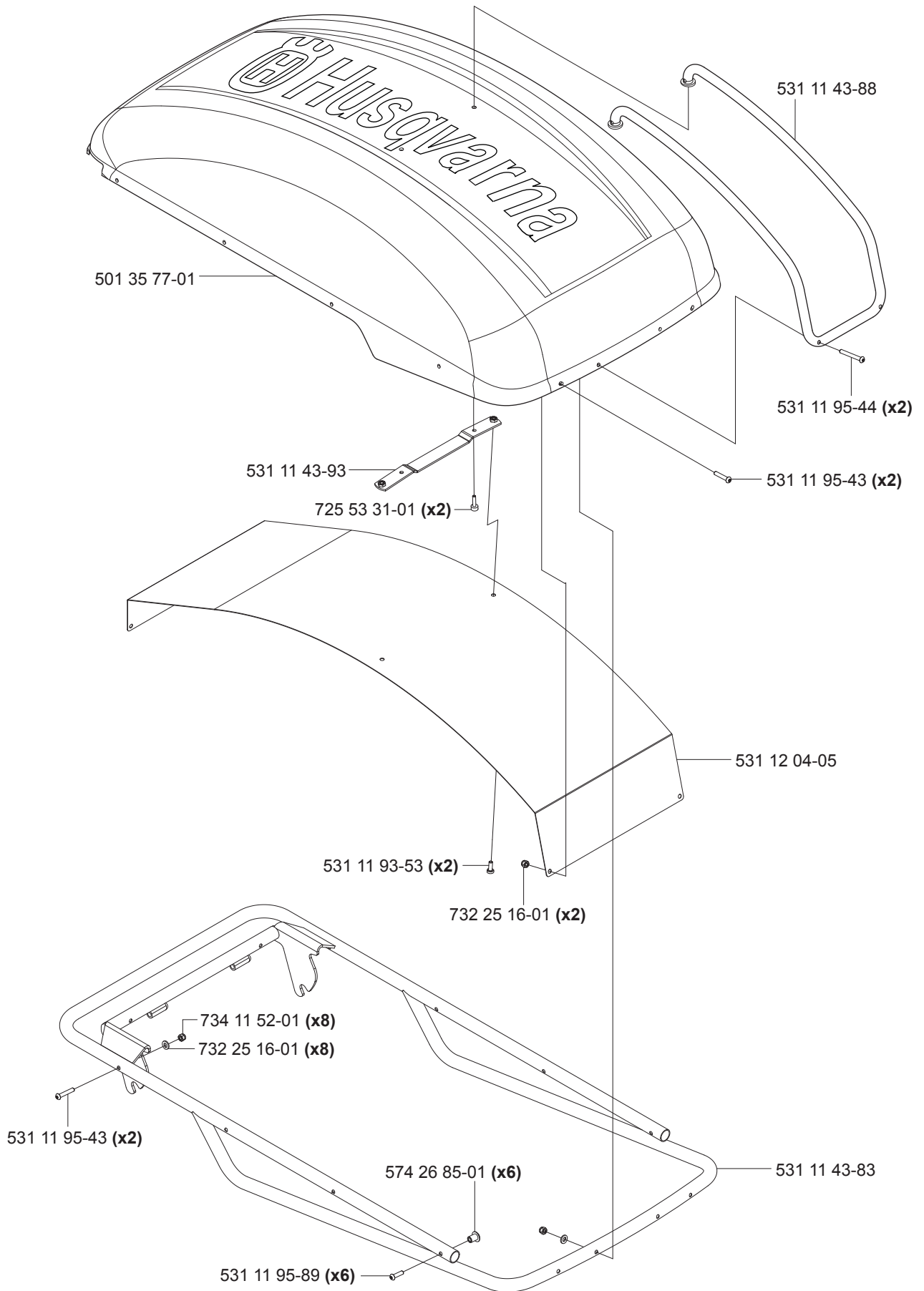


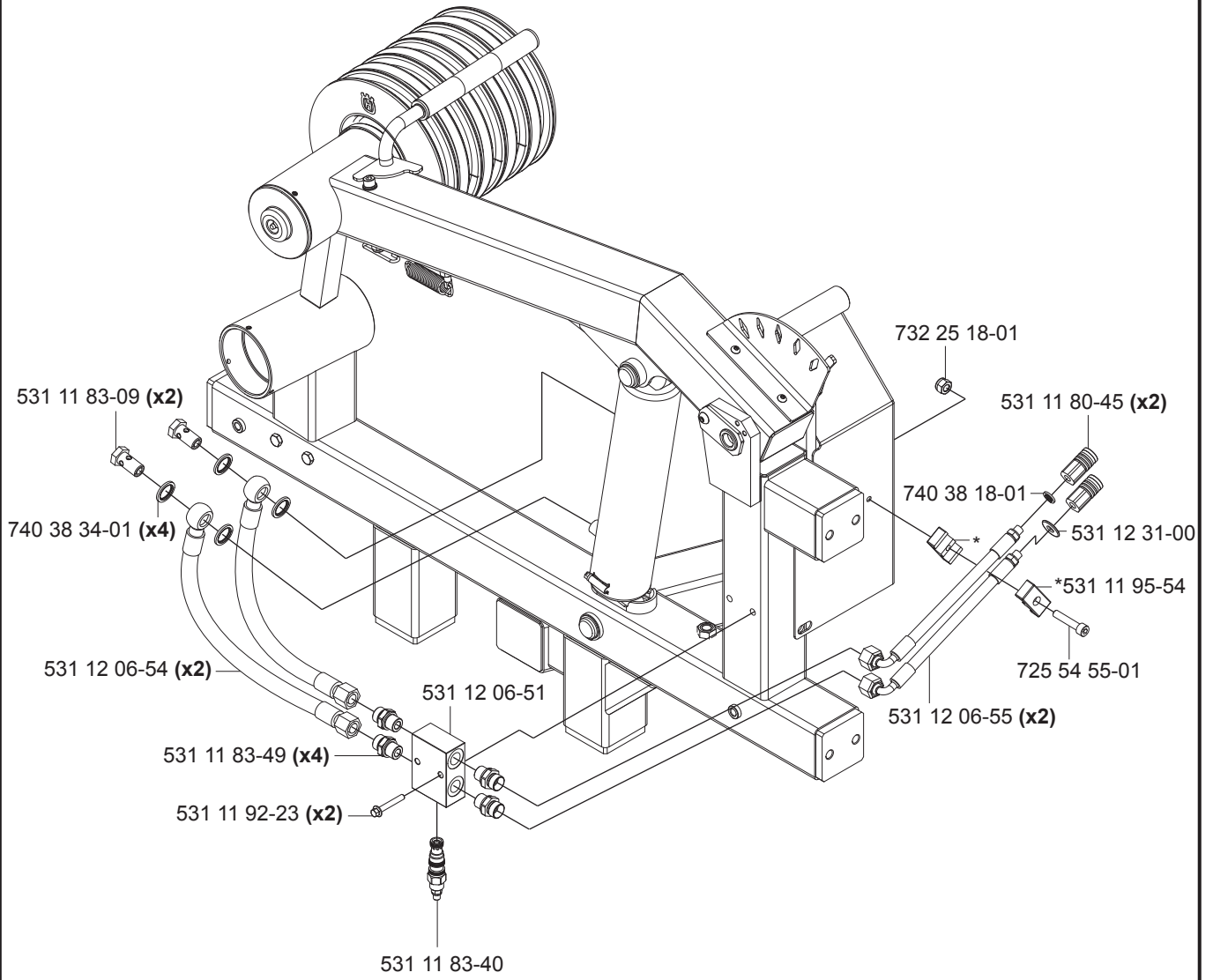












Y**CS 2512****Pressure reducing block
compl. 531 11 44-26**