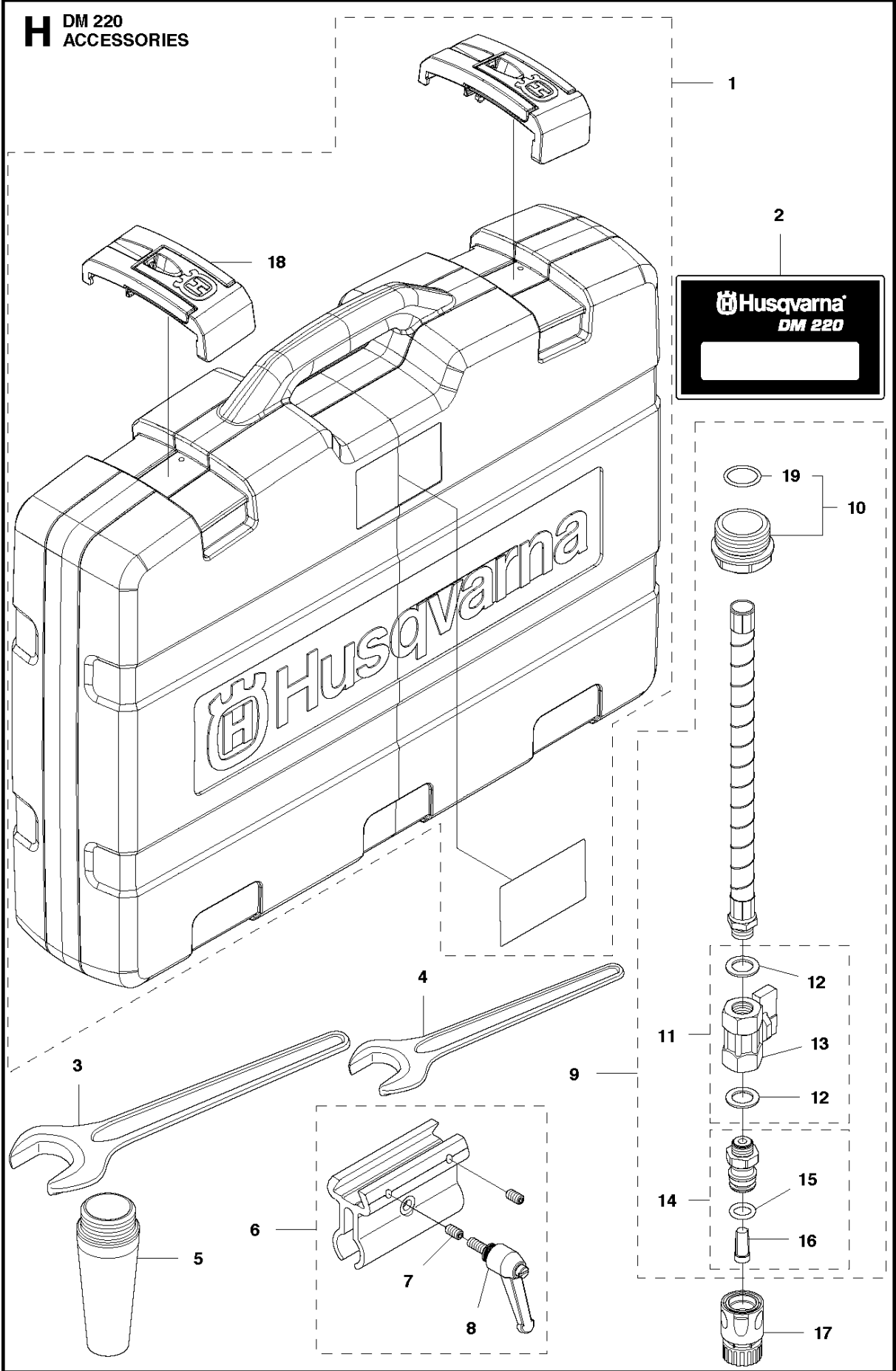




# SPARE PARTS LIST

DRILLING EQUIPMENT

DM220, 2015-09

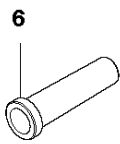
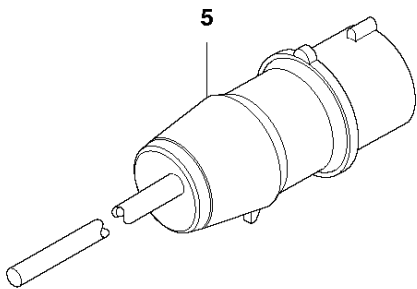
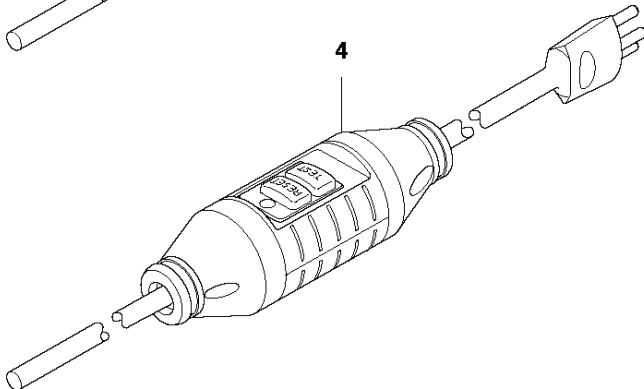
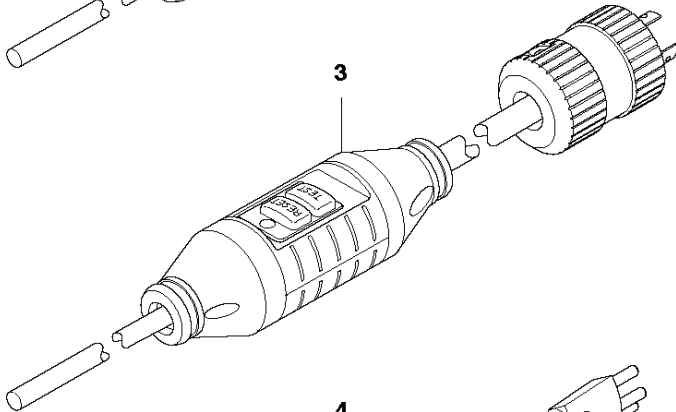
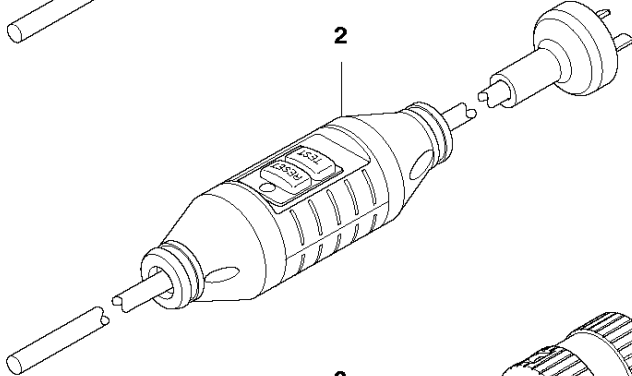
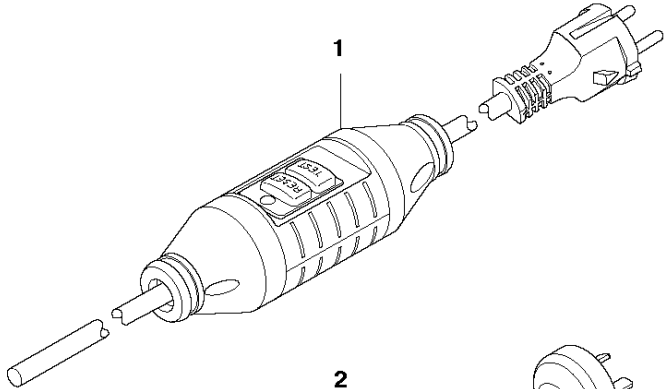


## ACCESSORIES

DM220, 2015-09

Ref	Part No	Description	Remark	QTY	KIT
1	502 29 45-02	CARRYING CASE		1	
2	576 27 66-02	LABEL		1	
3	531 14 09-52	KEY	32 mm	1	
4	531 14 09-51	KEY	24 mm	1	
5	575 87 22-01	VACUUM KIT		1	
6	575 78 85-01	HOLDER ASSY		1	
7	542 13 97-68	SHSS. M8 X 6 DIN 916 GR12.9		2	6
8	576 02 49-01	HANDLE		1	6
9	588 77 85-01	HOSE KIT		1	
10	501 55 80-01	NUT		1	9
11	510 19 59-01	VALVE KIT		1	9
12	531 07 42-60	WASHER		2	11
13	502 61 70-01	VALVE		1	11
14	510 11 20-01	NIPPLE		1	9
15	505 10 35-01	O-RING		1	14
16	506 29 88-01	FILTER		1	14
17	503 26 60-03	COUPLER	US	1	
17	503 26 60-04	COUPLER		1	
18	586 46 65-01	KIT		2	1
19	502 49 65-04	O-RING		1	9

**G** DM 220  
CABLES

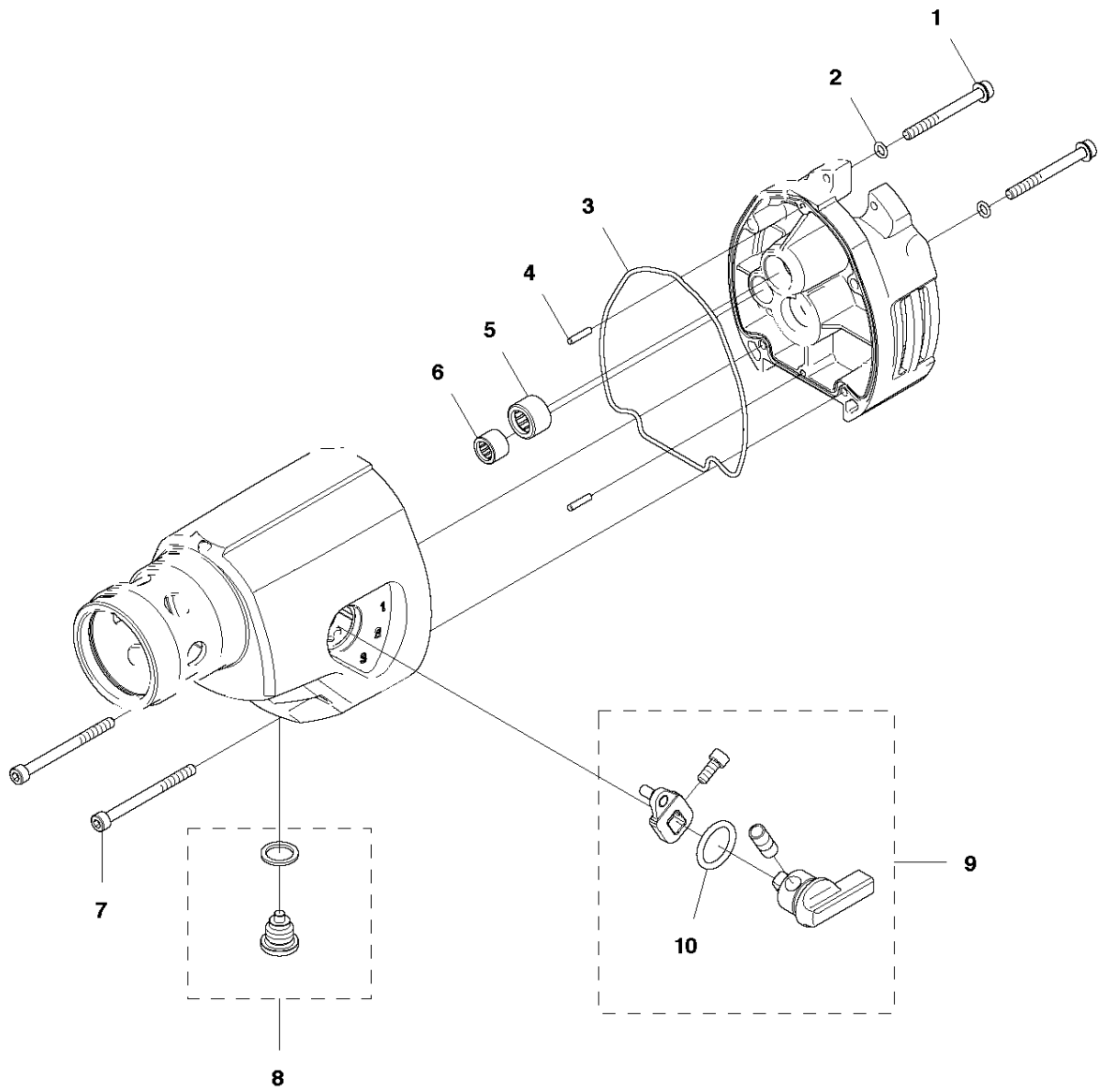


ELECTRICAL

DM220, 2015-09

Ref	Part No	Description	Remark	QTY KIT
1	505 44 33-05	CABLE	EU	1
2	510 18 13-06	CABLE	JP, US	1
3	521 90 72-04	CABLE	AU	1
4	521 90 74-05	CABLE	CH	1
5	521 91 90-04	CABLE	UK	1
6	575 81 10-01	CABLE SLEEVE		1

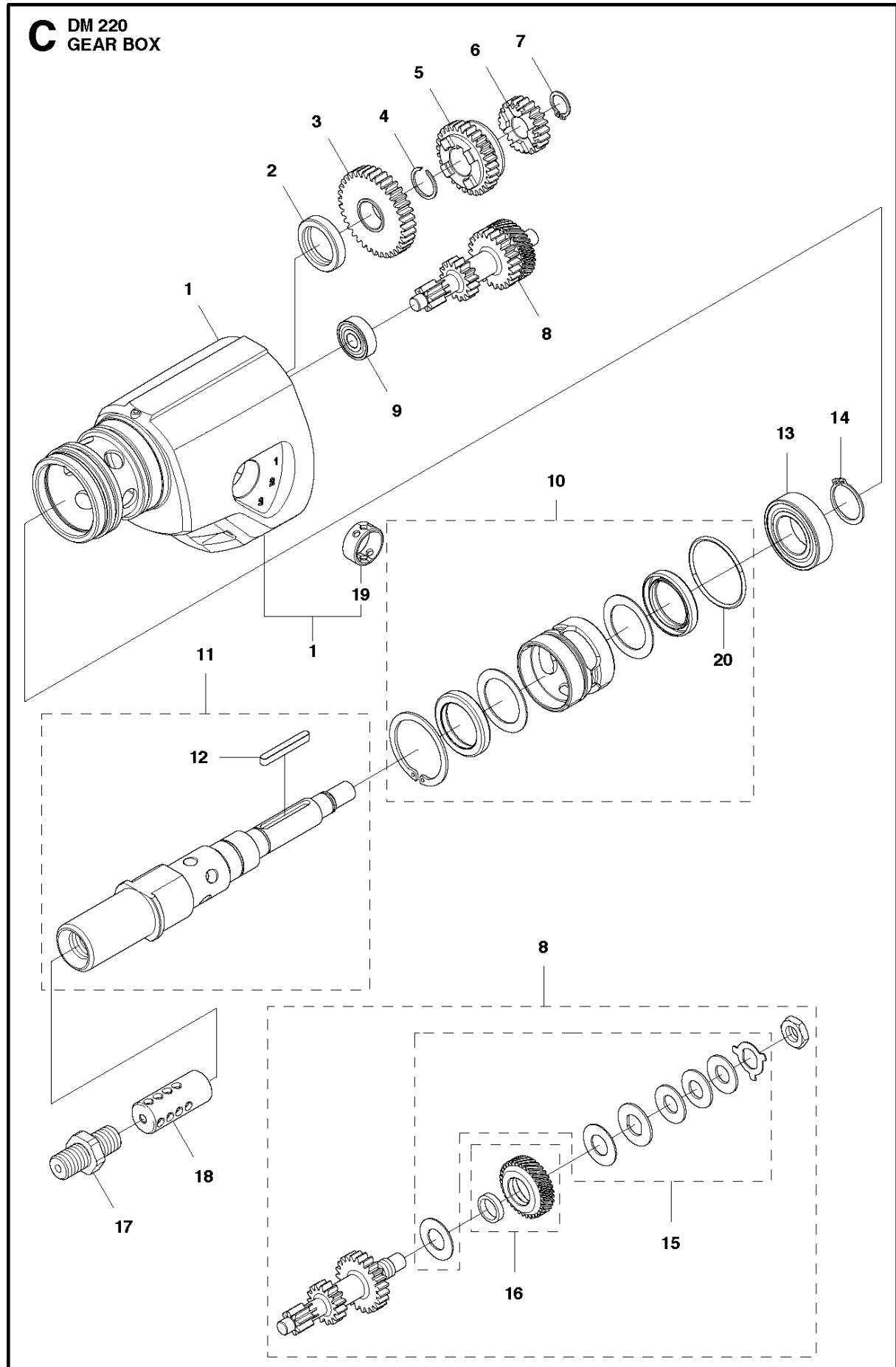
**B** DM 220  
GEAR BOX



## GEAR BOX

DM220, 2015-09

Ref	Part No	Description	Remark	QTY	KIT
1	503 20 74-50	SCREW		2	
2	740 42 03-00	O-RING		2	
3	574 37 63-01	SEAL		1	
4	720 12 32-50	PARALLEL PIN		2	
5	503 25 53-01	NEEDLE BEARING		1	
6	503 25 42-01	NEEDLE BEARING		1	
7	725 53 43-05	SCREW IHSCM		2	
8	525 48 10-01	OIL PLUG		1	
9	577 50 75-01	GEARSHIFT LEVER		1	
10	502 49 65-05	O-RING		1	9



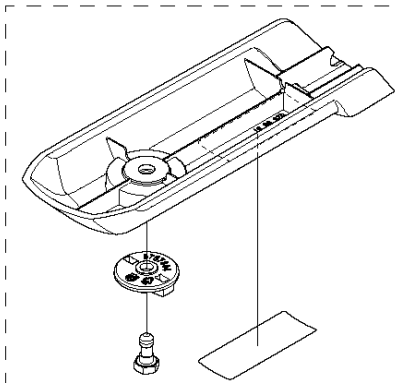
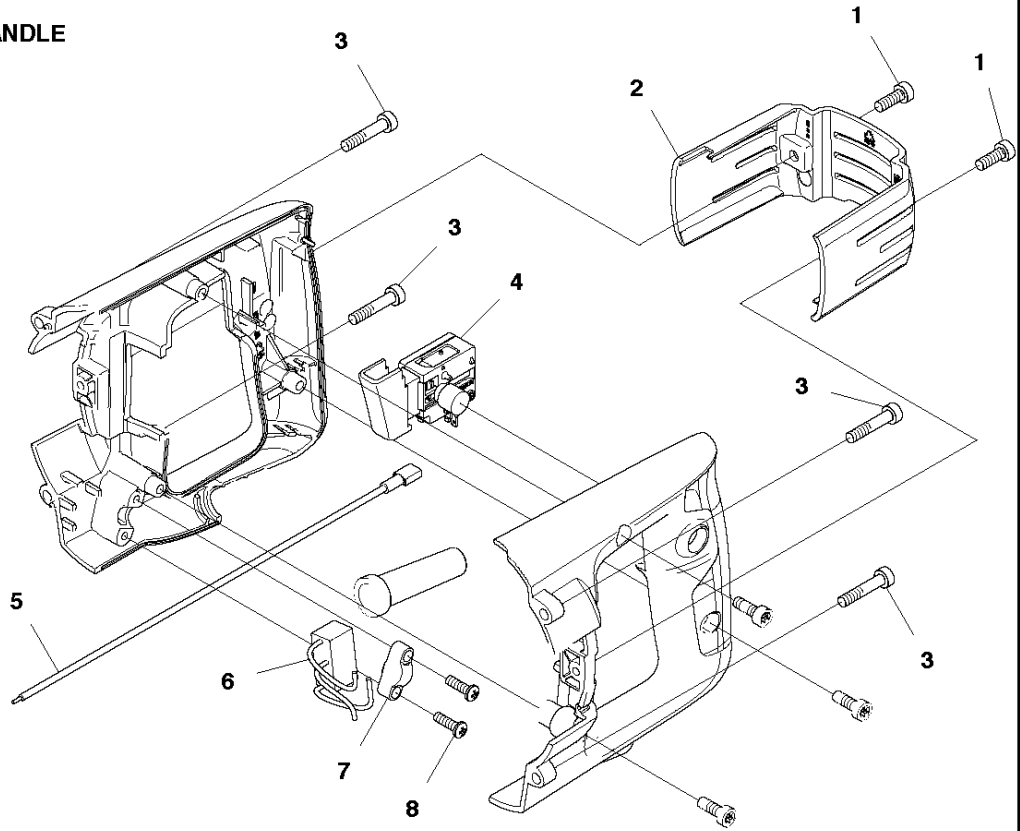


## GEAR BOX

DM220, 2015-09

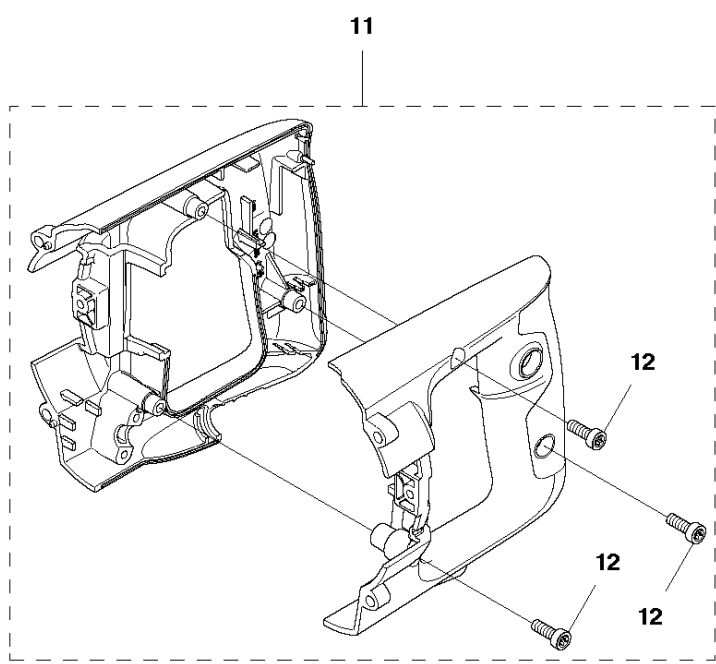
Ref	Part No	Description	Remark	QTY KIT	
1	576 26 97-02	GEAR HOUSING ASSY		1	
1	576 26 97-01	GEAR HOUSING ASSY	Valid before S/N 20153300021	1	
2	575 55 79-01	RADIAL SEAL		1	
3	544 12 48-01	GEAR WHEEL		1	
4	735 31 20-40	RETAINER RING		1	
5	544 12 46-01	GEAR WHEEL		1	
6	544 12 44-01	GEAR WHEEL		1	
7	735 31 16-00	CIRCLIP		1	
8	587 36 69-01	COUPLING		1	
9	738 22 99-27	BALL BEARING		1	
10	577 24 42-02	COLLECTOR		1	
10	577 24 42-01	COLLECTOR	Valid before S/N 20153300021	1	
11	577 24 38-03	SHAFT	"1/2" ""	1	
11	577 24 38-02	SHAFT	"5/8" "" USA"	1	
12	544 38 16-02	KEY		1	
12	544 38 16-01	KEY	Valid before S/N 20153300021	1	11
13	738 21 05-14	BALL BEARING		1	
14	735 31 26-00	CIRCLIP		1	8
15	587 36 25-02	CLUTCH ASSY		1	8
16	504 57 11-03	GEAR WHEEL ASSY		1	
17	504 09 46-01	ADAPTER	US Only	1	
18	581 09 41-01	STRAINER	1/2"	1	
18	581 09 41-02	STRAINER	5/8" USA	1	
19	544 13 00-01	INSERT		1	1
20	587 69 89-01	O-RING	Only included in 577 24 42- 02	1	10

**F** DM 220  
REAR HANDLE



10

Icon	Qty	Part No.	Dim	Unit
	2	62-00	5.4	5.2
	3	6-00	5.2	5.2
	1	80-100	6.4	6.4
	2	62-00	5.4	5.2
	2	6-00	5.2	5.2

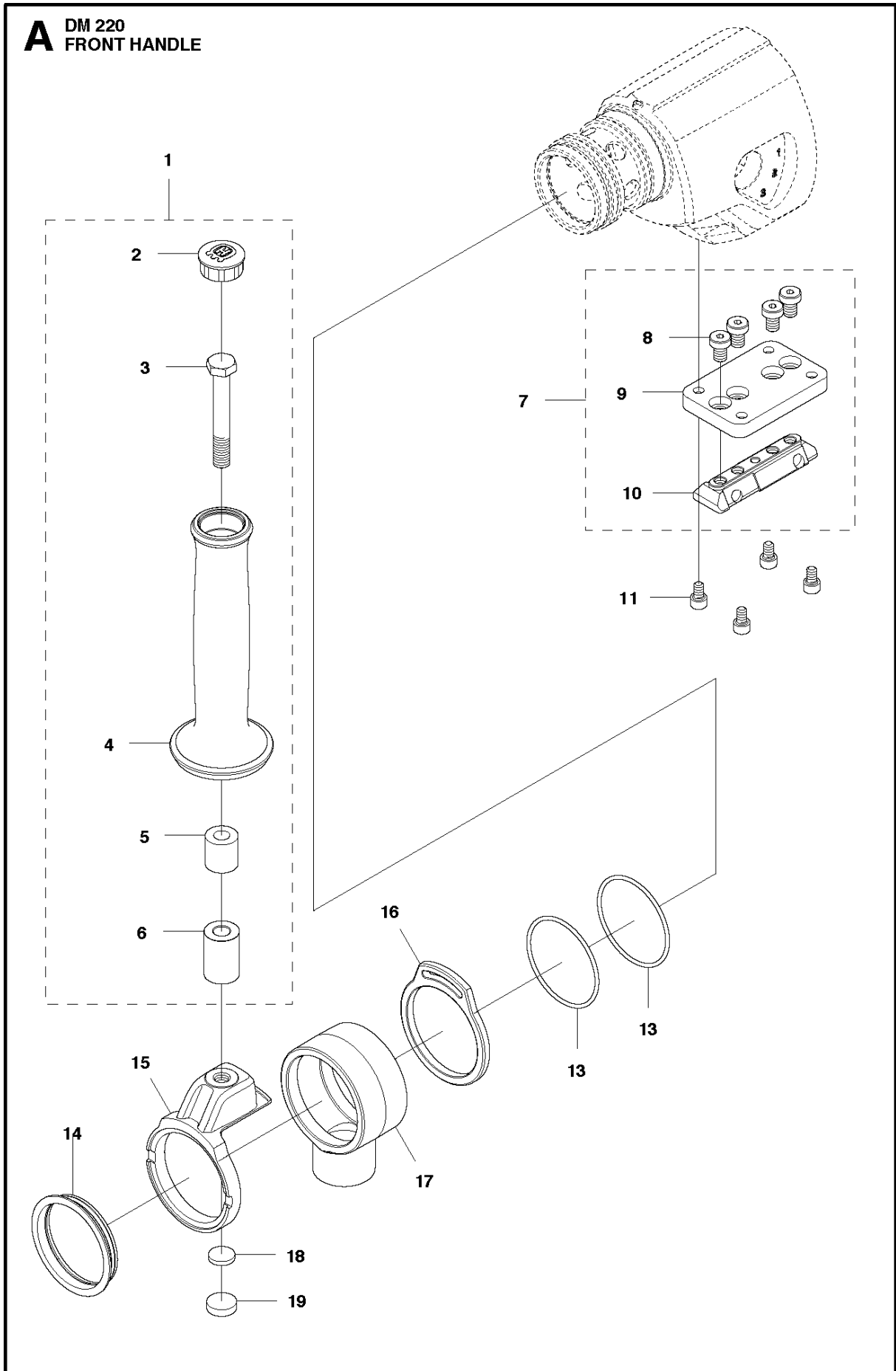


## HANDLE

DM220, 2015-09

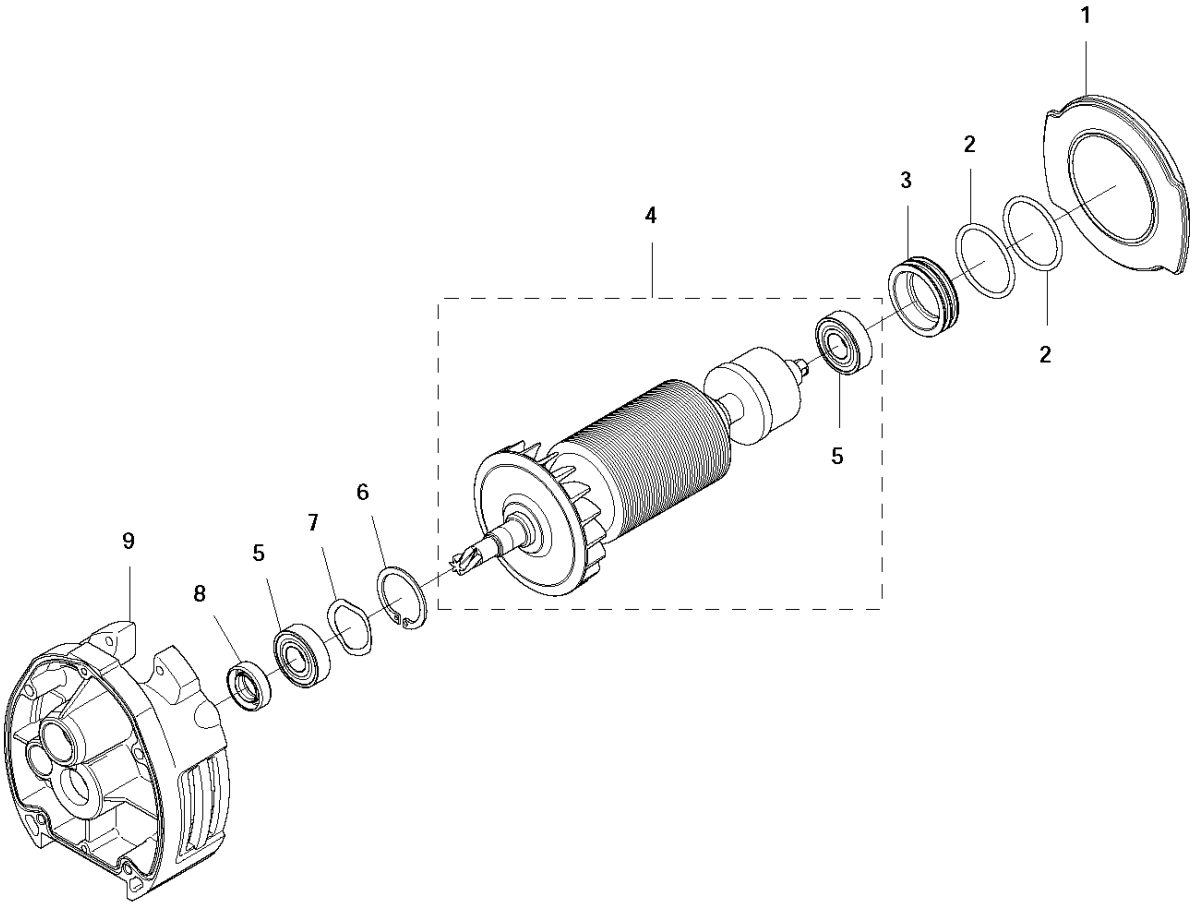
Ref	Part No	Description	Remark	QTY	KIT
1	504 90 94-10	SCREW ITXSCT		2	
2	525 44 40-01	COVER LID		1	
3	504 90 94-25	SCREW ITXSCT		4	
4	525 54 21-01	TRIGGER		1	
5	576 84 54-01	CABLE		1	
6	504 54 63-01	CAPACITOR		1	
7	544 12 32-01	CABLE CLAMP		1	
8	525 47 63-01	SCREW ITXPANT		2	
9	525 44 30-01	COVER		1	
10	575 34 73-01	LABEL		1	9
11	577 24 46-01	HANDLE KIT		1	
12	504 90 94-25	SCREW ITXSCT		2	11

**A** DM 220  
FRONT HANDLE



Ref	Part No	Description	Remark	QTY	KIT
1	525 29 73-01	FRONT HANDLE ASSY		1	
2	574 39 84-01	LID		1	1
3	725 25 05-51	SCREW EHHM		1	1
4	574 16 94-01	HANDLE		1	1
5	574 16 95-01	BUSHING		1	1
6	574 16 97-01	DISTANCE		1	1
7	525 44 38-01	PLATE		1	
8	575 63 63-01	SCREW IHSCM		4	7
9	525 54 05-01	ATTACHMENT PLATE		1	7
10	525 54 07-01	WEDGE		1	7
11	725 53 64-01	SCREW IHSCM		4	
13	575 80 83-01	O-RING		2	12
14	587 82 31-01	RING		1	12
15	525 29 69-01	BRACKET		1	
16	525 29 71-01	RING		1	
17	525 29 70-01	HOUSING		1	
18	574 16 98-01	WASHER		1	
19	574 17 00-01	ELEMENT		1	

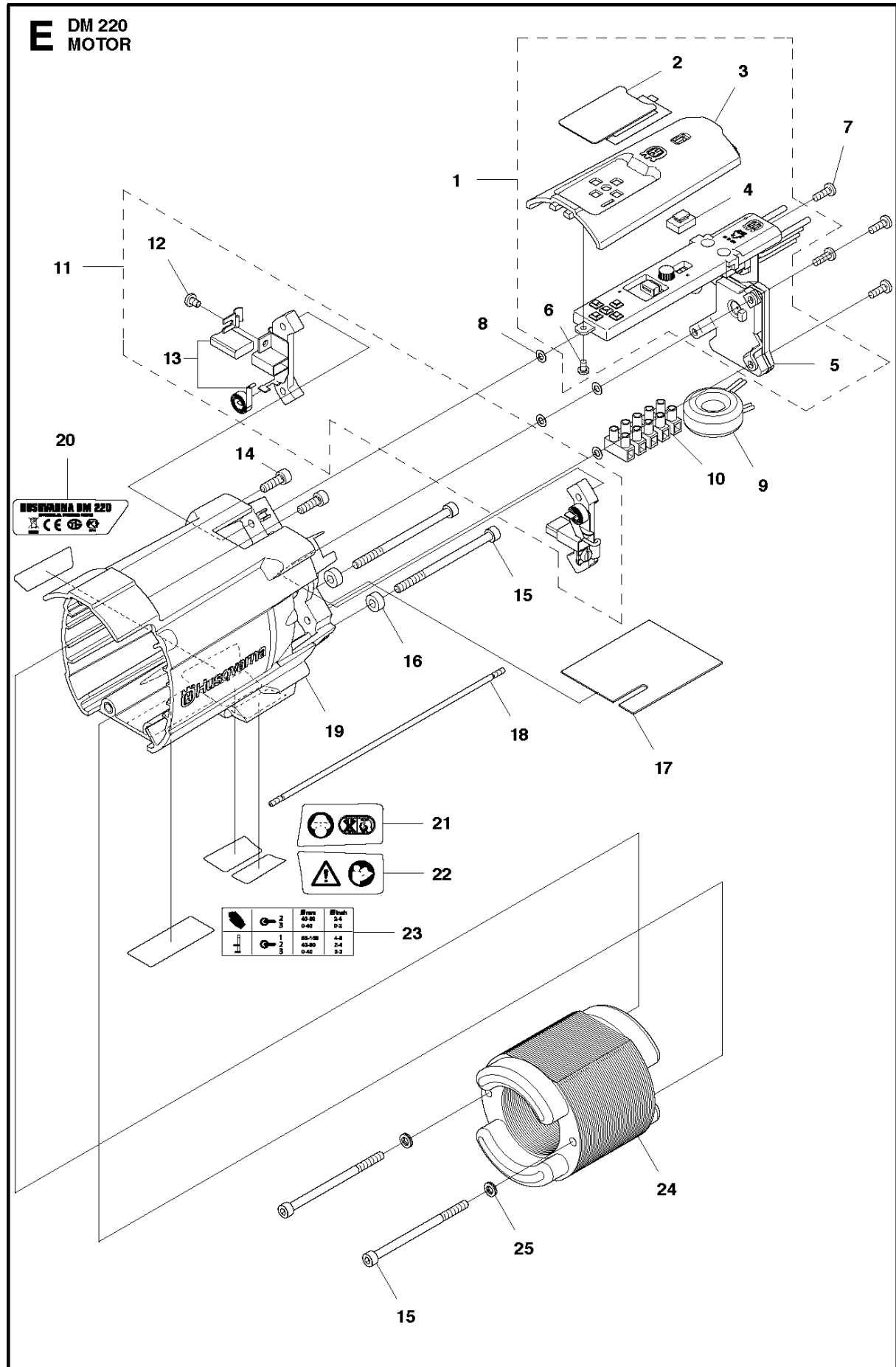
**D** DM 220  
MOTOR



## MOTOR

DM220, 2015-09

Ref	Part No	Description	Remark	QTY	KIT
1	586 91 91-01	AIR CONDUCTOR		1	
1	544 12 29-01	AIR CONDUCTOR	Valid before S/N 20153300021	1	
2	503 26 30-03	O-RING		2	
3	544 12 30-01	BEARING SUPPORT		1	
4	505 57 66-02	ROTOR	230 V	1	
4	505 57 65-02	ROTOR	120 V	1	
5	503 25 24-01	BALL BEARING		2	4
6	735 31 28-10	CIRCLIP		1	
7	501 00 84-01	SPRING WASHER		1	
8	501 00 83-01	SEALING		1	
9	574 36 91-02	COVER		1	
9	588 61 32-01	COVER	Valid before S/N 20153300021 and includes 586 91 91-01	1	





## MOTOR

DM220, 2015-09

Ref	Part No	Description	Remark	QTY KIT	
1	587 67 40-01	ELECTRONIC BOX	120V	1	
1	501 13 01-02	CIRCUIT BOARD ASSY	230V	1	
2	525 53 87-01	MEMBRANE		1	1
3	525 83 44-01	LID		1	1
4	575 78 95-01	LIGHT PIPE		1	1
5	581 77 49-01	CIRCUIT BOARD ASSY	120V	1	1
5	581 77 49-02	CIRCUIT BOARD ASSY	230V	1	1
6	729 52 51-75	SCREW CRPANT		1	1
7	724 12 91-01	SCREW CRPANM		4	
8	735 11 36-50	SPRING WASHER		4	
9	504 54 50-01	FILTER	230V	1	
9	504 54 50-02	FILTER	120V	1	
10	576 28 75-01	TERMINAL BLOCK		1	
11	581 05 86-01	BRUSH HOLDER		1	
12	723 22 85-81	SCREW SLPANM		2	11
13	581 08 69-01	BRUSH KIT	Contains two brushes and two springs	2	11
14	725 53 29-55	SCREW IHSCM		2	
15	725 53 47-55	SCREW IHSCM		4	
16	577 09 51-01	SPACER		2	
17	576 96 74-01	PLATE		1	
18	576 24 25-01	CABLE		1	
19	525 29 52-02	MOTOR HOUSING		1	
20	575 34 79-01	LABEL		1	
21	575 34 74-01	LABEL		1	
22	575 34 77-01	LABEL		1	
23	575 34 73-01	LABEL		1	
24	589 27 28-02	STATOR ASSY	120V	1	
24	589 27 28-01	STATOR ASSY	230V	1	
25	503 23 04-02	WASHER		2	