

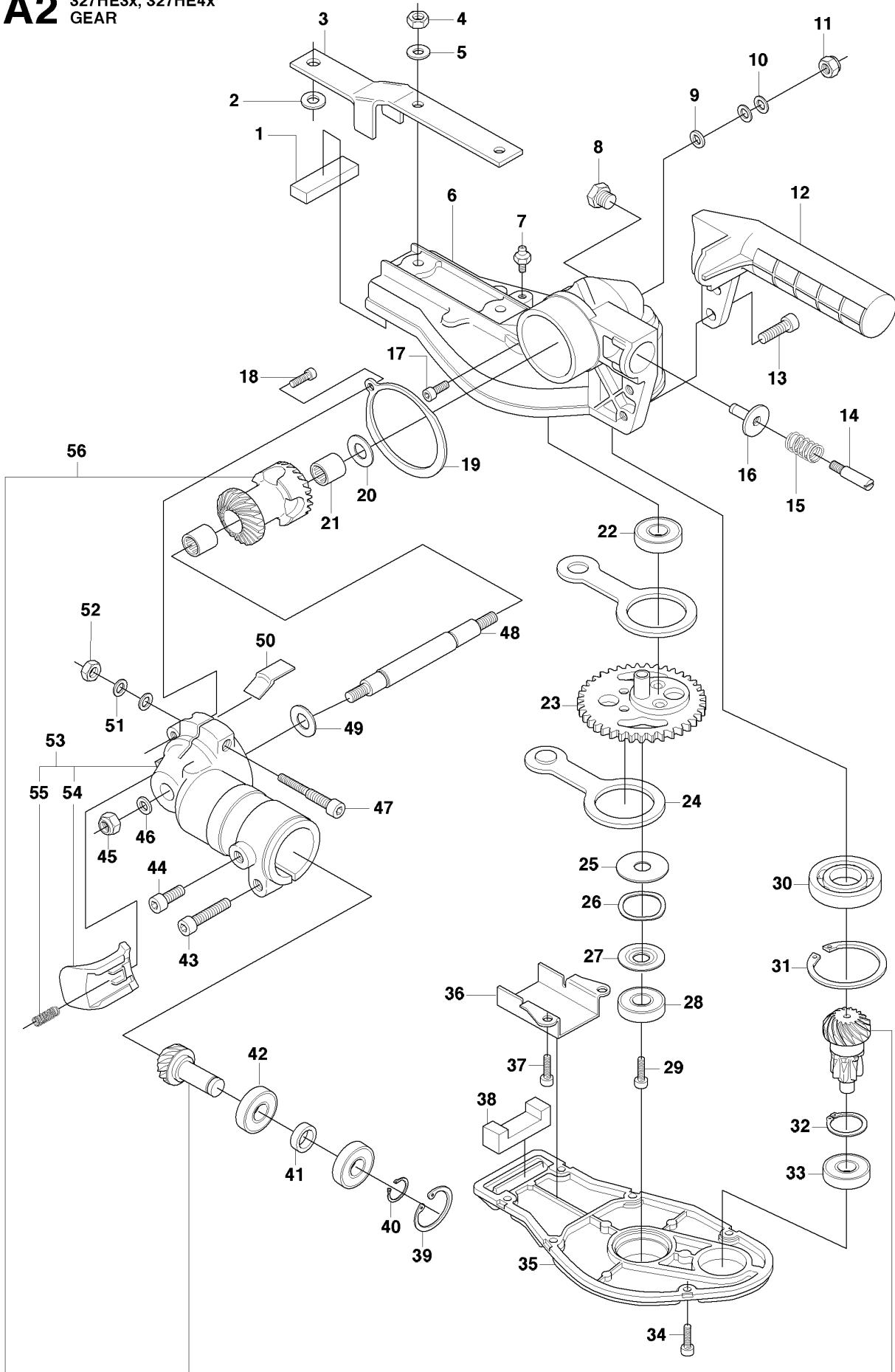


SPARE PARTS LIST

HEDGE TRIMMERS/POLE HEDGE
TRIMMERS

327 HE3 X-SERIES from 2015-02 -

A2 327HE3x, 327HE4x
GEAR

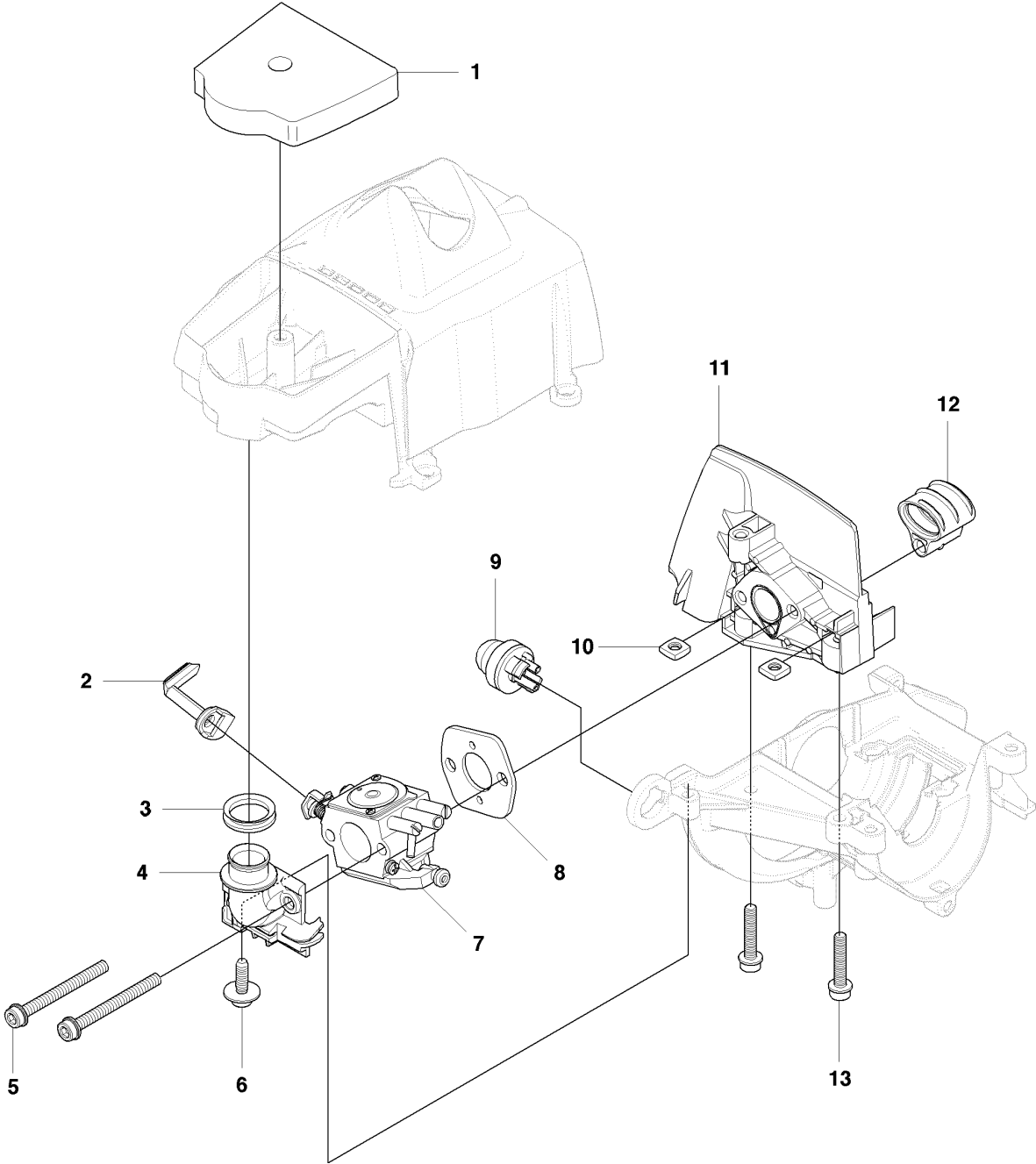


BEVEL GEAR

327 HE3 X-SERIES from 2015-02 -

| Ref | Part No | Description | Remark | QTY | KIT |
|-----|--------------|---------------------|--------|-----|--------|
| 1 | 537 23 22-01 | SEALING | | 1 | |
| 2 | 734 11 65-41 | WASHER | | 1 | |
| 3 | 537 23 21-01 | BASEPLATE | | 1 | |
| 4 | 503 22 10-12 | HEXAGON NUT | | 2 | |
| 5 | 734 11 46-01 | WASHER | | 2 | |
| 6 | 537 23 17-01 | GEAR HOUSING | | 1 | |
| 7 | 738 88 10-01 | LUBRICATION NIPPLE | | 1 | |
| 8 | 537 41 66-01 | PLUG | | 1 | |
| 9 | 734 11 52-01 | WASHER | | 1 | |
| 10 | 737 38 52-00 | DISC SPRING | | 2 | |
| 11 | 732 25 16-01 | HEXAGON LOCKING NUT | | 1 | |
| 12 | 537 23 30-01 | HANDLE | | 1 | |
| 13 | 537 12 64-01 | SCREW | | 2 | |
| 14 | 537 38 59-01 | PEN | | 1 | |
| 15 | 537 23 33-01 | SPRING | | 1 | |
| 16 | 537 34 14-01 | STOP | | 1 | |
| 17 | 725 53 23-05 | SCREW IHSCM | | 1 | |
| 18 | 725 53 27-55 | SCREW IHSCM | | 1 | |
| 19 | 537 23 34-01 | STOP | | 1 | |
| 20 | 537 29 42-01 | WASHER | | 1 | |
| 21 | 537 23 36-01 | NEEDLE BEARING | | 2 | |
| 22 | 738 21 98-04 | BALL BEARING | | 1 | |
| 23 | 537 23 28-01 | GEAR WHEEL | | 1 | |
| 24 | 537 23 20-01 | CONNECTING ROD | | 2 | |
| 25 | 537 40 48-01 | WASHER | | 1 | |
| 26 | 503 23 03-02 | WASHER | | 1 | |
| 27 | 537 34 18-01 | WASHER | | 1 | |
| 28 | 738 21 98-04 | BALL BEARING | | 1 | |
| 29 | 725 53 23-05 | SCREW IHSCM | | 1 | |
| 30 | 537 40 64-02 | BALL BEARING | | 1 | |
| 31 | 735 31 33-10 | CIRCLIP | | 1 | |
| 32 | 735 31 19-00 | CIRCLIP | | 1 | |
| 33 | 738 21 98-04 | BALL BEARING | | 1 | |
| 34 | 725 52 91-01 | SCREW IHSCM | | 6 | |
| 35 | 537 23 18-01 | HUB CAP | | 1 | |
| 36 | 537 34 15-01 | GUIDE PLATE | | 1 | |
| 37 | 725 52 87-55 | SCREW IHSCM | | 2 | |
| 38 | 537 23 42-01 | SEALING | | 1 | |
| 39 | 735 31 25-10 | CIRCLIP | | 1 | |
| 40 | 735 31 11-00 | CIRCLIP | | 1 | |
| 41 | 537 23 37-01 | SPACER | | 1 | |
| 42 | 738 21 99-04 | BALL BEARING | | 2 | |
| 43 | 503 20 07-25 | SCREW IHSCFM | | 1 | |
| 44 | 503 20 14-12 | SCREW IHSCFMO | | 1 | |
| 45 | 732 25 16-01 | HEXAGON LOCKING NUT | | 1 | |
| 46 | 734 11 52-01 | WASHER | | 1 | |
| 47 | 537 29 55-01 | SCREW | | 1 | |
| 48 | 537 23 26-01 | SHAFT | | 1 | |
| 49 | 537 29 42-01 | WASHER | | 1 | |
| 50 | 537 39 49-01 | SEALING | | 1 | |
| 51 | 737 38 50-00 | DISC SPRING | | 2 | |
| 52 | 732 25 12-01 | HEXAGON LOCKING NUT | | 1 | |
| 53 | 544 23 10-01 | HOUSING ASSY | | 1 | 54, 55 |
| 54 | 537 39 48-01 | BUTTON | | 1 | 53 |
| 55 | 537 40 57-01 | SPRING | | 1 | 53 |
| 56 | 544 06 40-01 | GEAR WHEEL | | 1 | |

J 327HDA65x, HE3x, HE4x
CARBURETTOR & AIRFILTER

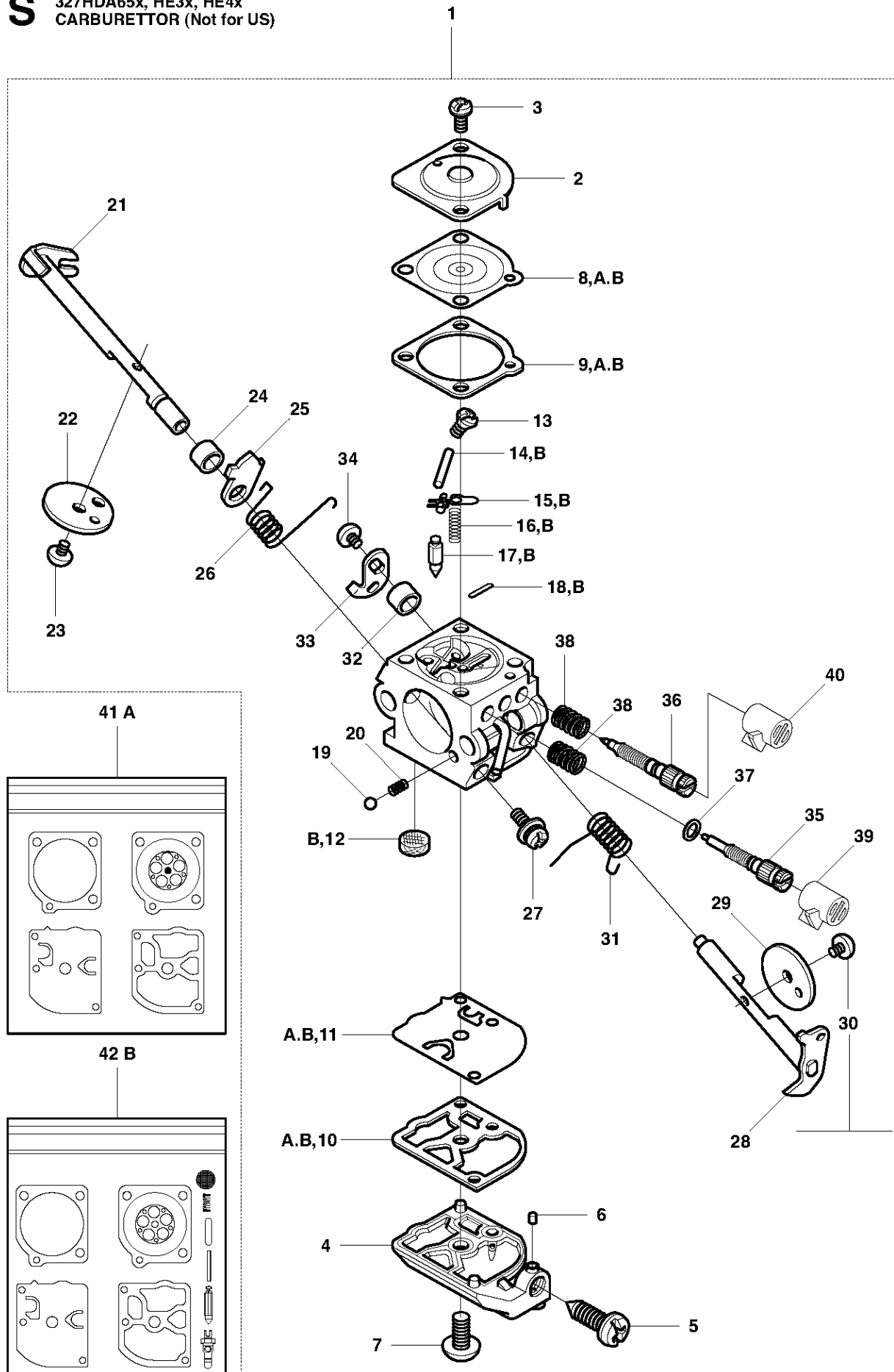


CARBURETOR & AIR FILTER

327 HE3 X-SERIES from 2015-02 -

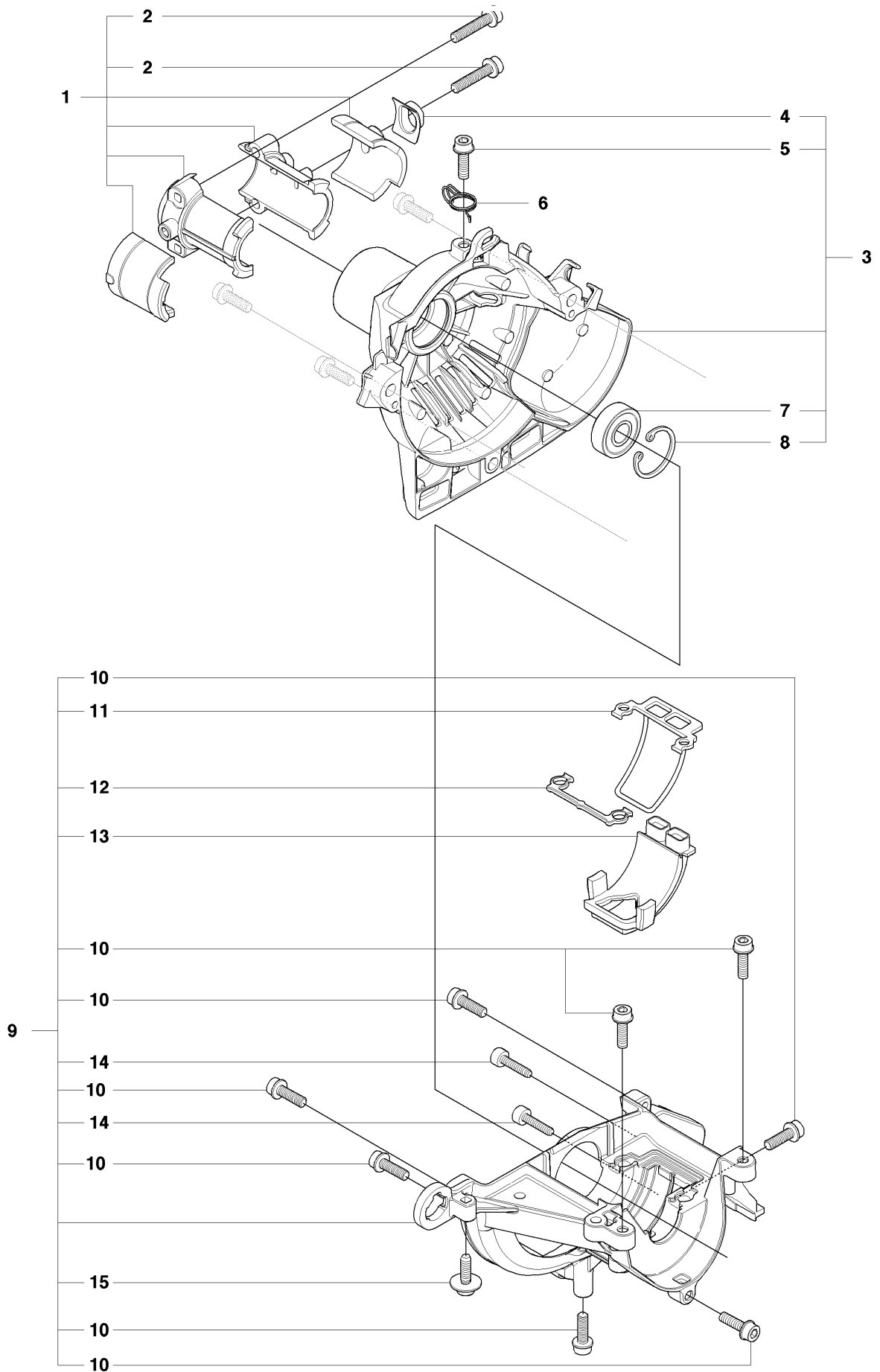
| Ref | Part No | Description | Remark | QTY KIT |
|-----|--------------|-----------------|--------|---------|
| 1 | 537 14 31-03 | AIR FILTER ASSY | | 1 |
| 2 | 503 96 25-01 | CHOKE CONTROL | | 1 |
| 3 | 740 68 11-21 | V-RING | | 1 |
| 4 | 502 49 90-01 | BRACKET | | 1 |
| 5 | 503 21 75-50 | SCREW IHSCFT | | 2 |
| 6 | 503 21 77-16 | SCREW IHSCFT | | 1 |
| 7 | 503 28 31-13 | CARBURETTOR | | 1 |
| 8 | 503 49 71-01 | GASKET | | 1 |
| 9 | 503 93 66-01 | PRIMER HOUSING | | 1 |
| 10 | 503 22 65-04 | SQUARE NUT | | 2 |
| 11 | 503 91 09-01 | INSULATION WALL | | 1 |
| 12 | 503 94 26-01 | INLET PIPE | | 1 |
| 13 | 503 20 03-25 | SCREW IHSCFM | | 2 |

S 327HDA65x, HE3x, HE4x
CARBURETTOR (Not for US)



| Ref | Part No | Description | Remark | QTY KIT | |
|-------|--------------|---------------------|----------------|---------|---------|
| 1 | 503 28 31-13 | CARBURETTOR | ZAMA C1Q-EL14A | 1 | |
| 2 | 503 97 43-01 | COVER | | 1 | 1 |
| 3 | 503 48 05-01 | SCREW | | 2 | 1 |
| 4 | 537 02 02-01 | COVER | | 1 | 1 |
| 5 | 537 02 07-01 | SCREW | | 1 | 1 |
| 6 | 503 48 11-01 | PIECE | | 1 | 1 |
| 7 | 503 47 96-01 | SCREW | | 1 | 1 |
| 8 | 537 04 89-01 | DIAPHRAGM | | 1 | 1, A, B |
| 9 | 537 02 04-01 | GASKET | | 1 | 1, A, B |
| 10 | 537 02 01-01 | GASKET | | 1 | 1, A, B |
| 11 | 537 02 00-01 | DIAPHRAGM PUMP | | 1 | 1, A, B |
| 12 | 503 53 57-01 | STRAINER | | 1 | 1, B |
| 13 | 503 48 01-01 | SCREW | | 1 | 1 |
| 14 | 503 48 00-01 | PIN RETAINING SCREW | | 1 | 1, B |
| 15 | 503 66 59-01 | LEVER | | 1 | 1, B |
| 16 | 537 02 03-01 | SPRING | | 1 | 1, B |
| 17 | 503 47 97-01 | VALVE | | 1 | 1, B |
| 18 | 537 02 08-01 | PLUG | | 1 | 1, B |
| 19 | 537 01 25-01 | BALL | | 1 | 1 |
| 20 | 537 01 26-01 | SPRING | | 1 | 1 |
| 21 | 537 02 09-01 | SHAFT ASSY | | 1 | 1 |
| 22 | 537 02 11-01 | VALVE | | 1 | 1 |
| 23 | 503 48 18-01 | SCREW | | 1 | 1 |
| 24 | 503 48 19-01 | COLLAR | | 1 | 1 |
| 25 | 537 14 34-01 | LEVER | | 1 | 1 |
| 26 | 537 02 10-01 | SPRING | | 1 | 1 |
| 27 | 503 75 53-01 | SCREW | | 1 | 1 |
| 28 | 537 01 96-01 | SHAFT ASSY | | 1 | 1 |
| 29 | 537 01 99-01 | VALVE | | 1 | 1 |
| 30 | 503 47 92-01 | SCREW | | 1 | 1 |
| 31 | 537 01 97-01 | SPRING | | 1 | 1 |
| 32 | 503 47 89-01 | COLLAR | | 1 | 1 |
| 33 | 537 01 98-01 | LEVER | | 1 | 1 |
| 34 | 503 47 90-01 | SCREW | | 1 | 1 |
| 35 | 537 02 06-01 | SCREW | | 1 | 1 |
| 36 | 537 12 78-01 | SCREW | | 1 | 1 |
| 37 | 503 97 40-01 | WASHER | | 1 | 1 |
| 38 | 503 48 08-01 | SPRING | | 1 | 1 |
| 39 | 537 02 16-01 | LIMITER CAP | | 1 | 1 |
| 40 | 537 02 16-01 | LIMITER CAP | | 1 | 1 |
| 41, A | 531 00 45-52 | GASKET KIT | | 1 | |
| 42, B | 531 00 45-53 | SET | | 1 | |

Q 327HDA65x, HE3x, HE4x
CRANK CASE

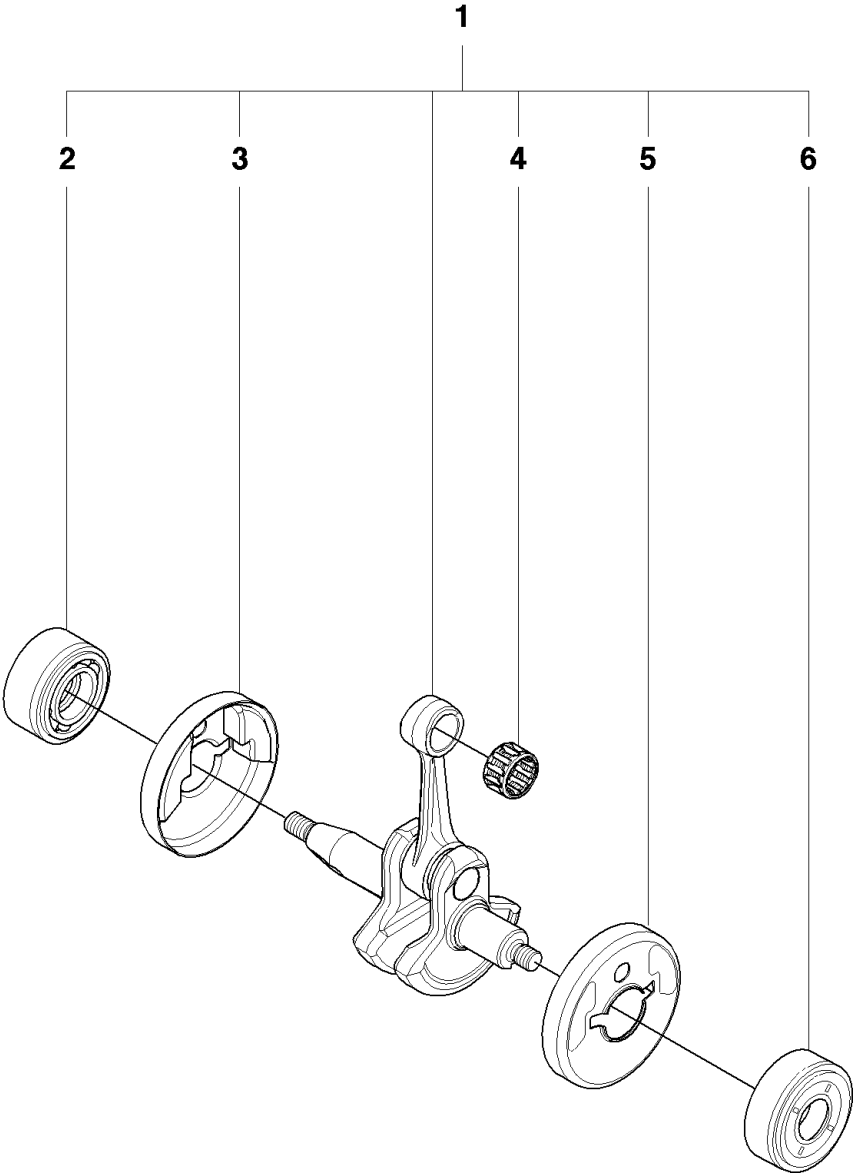


CRANKCASE

327 HE3 X-SERIES from 2015-02 -

| Ref | Part No | Description | Remark | QTY | KIT |
|-----|--------------|--------------------|--------|-----|-----|
| 1 | 537 30 96-01 | COMPRESSION SLEEVE | | 1 | |
| 2 | 503 21 68-25 | SCREW IHSCFT | | 2 | 1 |
| 3 | 537 04 12-09 | CLUTCH COVER | | 1 | |
| 4 | 537 42 50-01 | PROTECTIVE PLATE | | 1 | 3 |
| 6 | 537 07 36-01 | SPRING | | 1 | |
| 7 | 503 25 05-01 | BALL BEARING | | 1 | 3 |
| 8 | 537 33 67-01 | CIRCLIP | | 1 | 3 |
| 11 | 537 06 69-01 | GASKET CRANKCASE | | 1 | 9 |
| 12 | 537 08 85-01 | GASKET | | 1 | 9 |
| 13 | 537 06 68-01 | INSERT CRANKCASE | | 1 | 9 |
| 14 | 503 21 66-18 | SCREW IHSCFT | | 2 | 9 |
| 15 | 503 21 77-16 | SCREW IHSCFT | | 1 | 9 |
| 10 | 503 20 03-03 | SCREW IHSCFM | M5X16 | 1 | |
| 9 | 537 08 52-03 | CRANKCASE | | 1 | |

R 327HDA65x, HE3x, HE4x
CRANK SHAFT

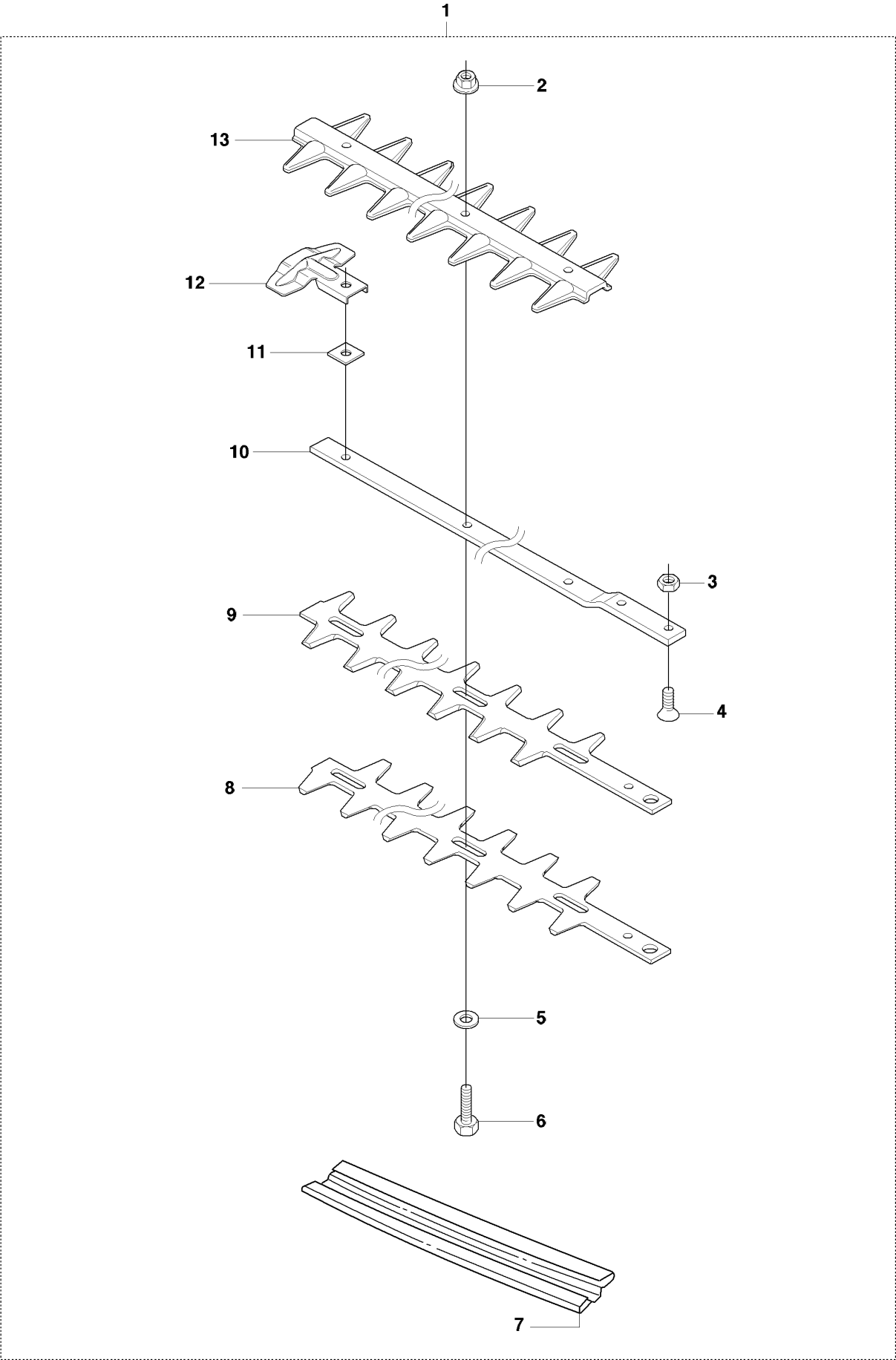


CRANKSHAFT

327 HE3 X-SERIES from 2015-02 -

| Ref | Part No | Description | Remark | QTY | KIT |
|-----|--------------|-----------------|--------|-----|-----|
| 1 | 503 85 24-74 | CRANKSHAFT ASSY | | 1 | |
| 2 | 503 94 02-03 | BEARING CAGE | | 1 | 1 |
| 3 | 503 94 05-01 | CUP | | 1 | 1 |
| 4 | 503 71 22-01 | BEARING | | 1 | 1 |
| 5 | 503 94 05-01 | CUP | | 1 | 1 |
| 6 | 503 94 02-03 | BEARING CAGE | | 1 | 1 |

B 327HDA65x, HE3x, HE4x, HA110, HA850
CUTTINGSYSTEM

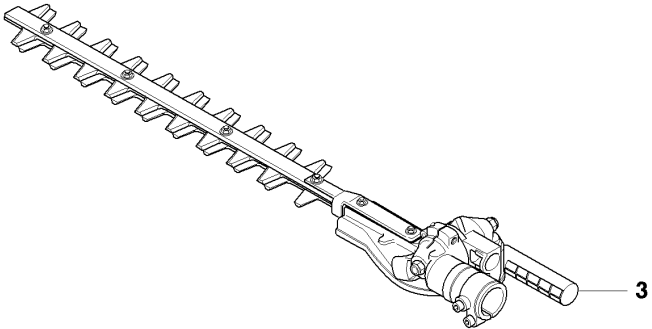
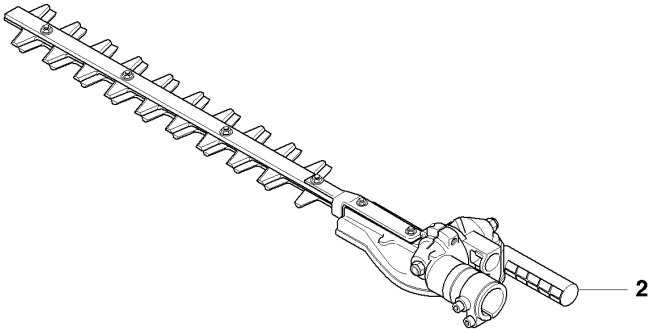
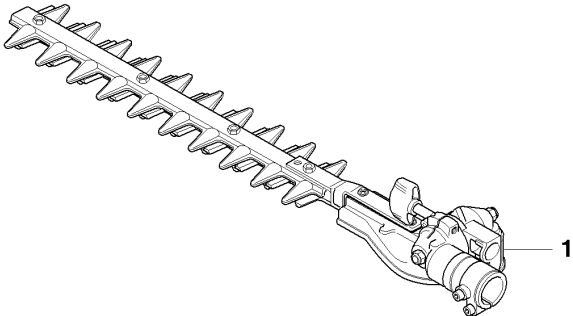


CUTTING EQUIPMENT

327 HE3 X-SERIES from 2015-02 -

| Ref | Part No | Description | Remark | QTY KIT |
|-----|--------------|------------------|--------|---------|
| 1A | 505 06 55-02 | CUTTING DECK | | 1 |
| 2A | 503 22 75-02 | NUT | | 4 |
| 3 | 503 22 10-12 | HEXAGON NUT | | 2 |
| 4 | 725 63 31-55 | SCREW IHCSFM | | 2 |
| 5A | 503 23 00-24 | WASHER | | 4 |
| 6A | 503 20 17-22 | SCREW EHHM | | 4 |
| 7A | 544 00 48-01 | TRANSPORT GUARD | | 1 |
| 8A | 505 06 48-01 | BLADE | | 1 |
| 9A | 505 06 48-01 | BLADE | | 1 |
| 10A | 537 28 39-01 | BEAM | | 1 |
| 11 | 544 46 27-01 | WASHER STEEL | | 1 |
| 12 | 537 37 20-01 | COVER | | 1 |
| 13 | 537 28 44-01 | PROTECTIVE PLATE | | 1 |

C 327 HDA55x, HE3x, HE4x
CUTTINGSYSTEM

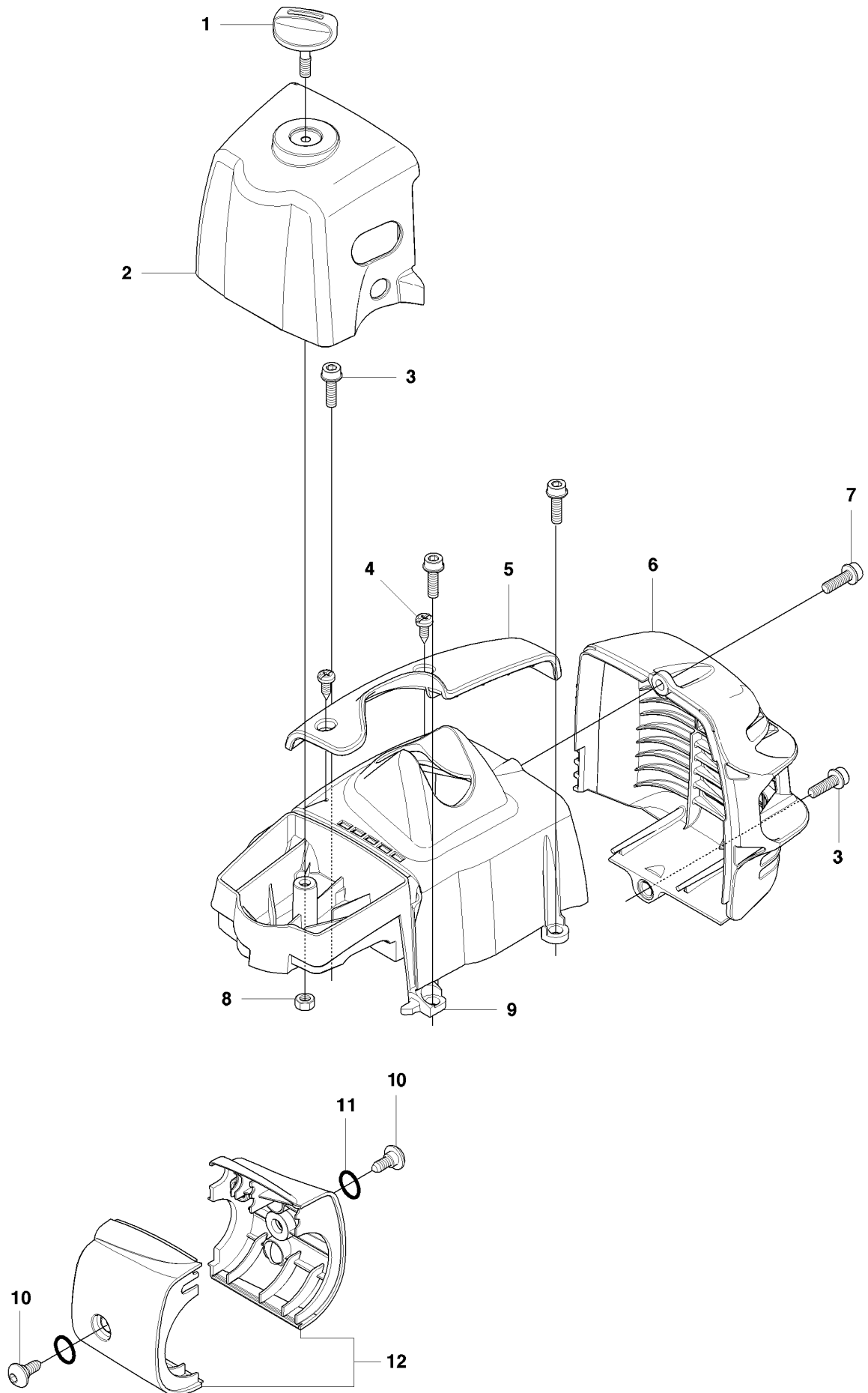


CUTTING EQUIPMENT

327 HE3 X-SERIES from 2015-02 -

| Ref | Part No | Description | Remark | QTY KIT |
|-----|--------------|------------------|--------|---------|
| 1 | 521 91 93-01 | CUTTING DECK KIT | | 1 |
| 2 | 521 91 93-02 | CUTTING DECK KIT | | 1 |
| 3 | 521 91 93-03 | CUTTING DECK KIT | | 1 |

H 327HDA65x, HE3x, HE4x
COVER

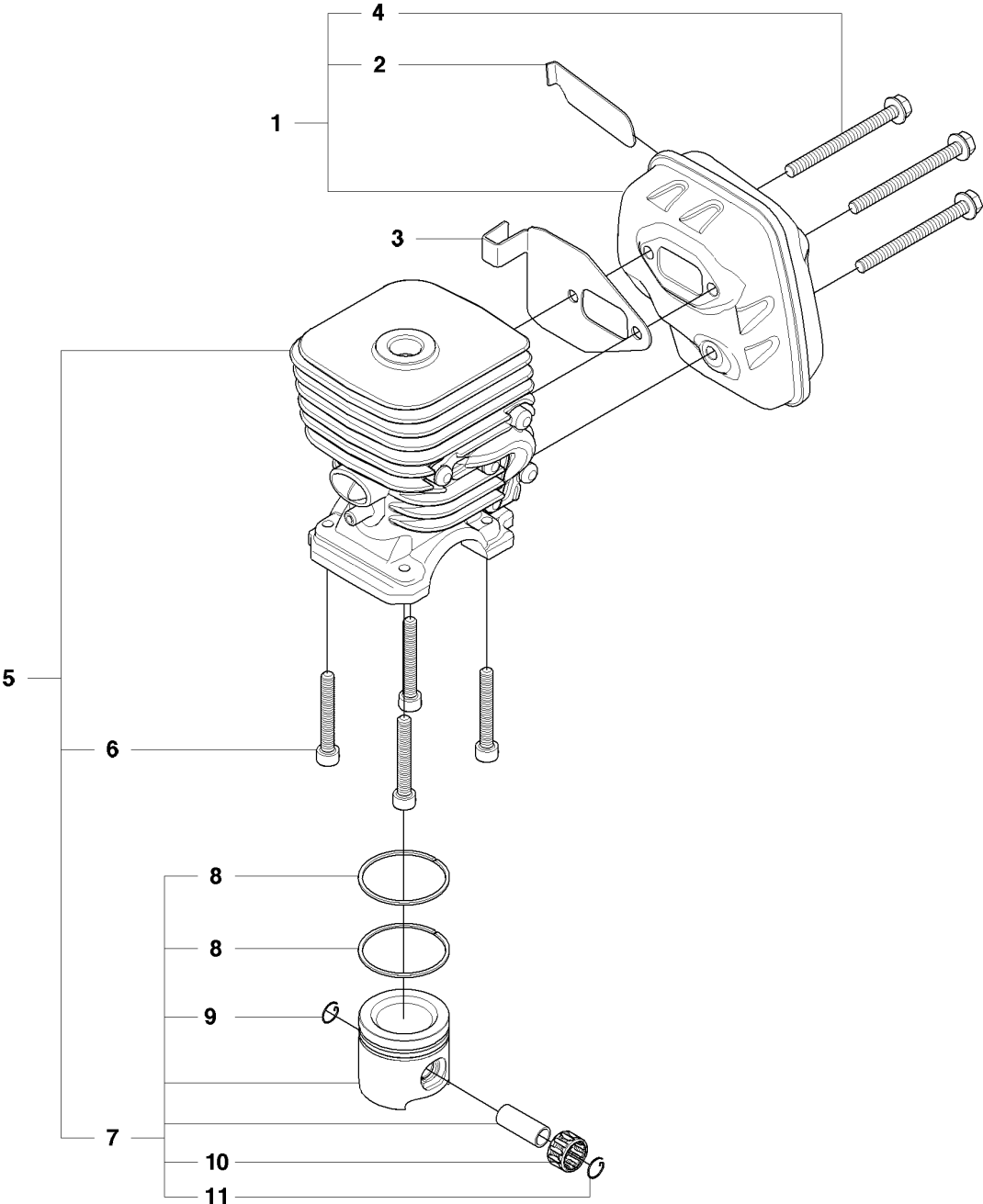


CYLINDER COVER

327 HE3 X-SERIES from 2015-02 -

| Ref | Part No | Description | Remark | QTY | KIT |
|-----|--------------|----------------|--------|-----|-----|
| 1 | 537 21 32-10 | KNOB | | 1 | |
| 2 | 502 48 13-01 | FILTER COVER | | 1 | 1 |
| 4 | 503 21 35-12 | SCREW CCRPANT | | 2 | 1 |
| 5 | 502 48 16-01 | ARM PROTECTION | | 1 | 1 |
| 6 | 544 84 81-01 | HEAT PROTECTOR | | 1 | |
| 7 | 503 21 75-20 | SCREW IHSCFT | | 1 | |
| 8 | 503 22 24-01 | LOCK NUT | | 1 | |
| 9 | 502 48 14-01 | CYLINDER COVER | | 1 | |
| 10 | 503 96 13-01 | SCREW | | 2 | |
| 11 | 740 42 06-00 | O-RING | | 2 | |
| 12 | 502 48 15-01 | COVER | | 1 | |
| 3 | 503 20 03-03 | SCREW IHSCFM | M5X16 | 1 | |

P 327HDA65x, HE3x, HE4x
CYLINDER PISTON & MUFFLER

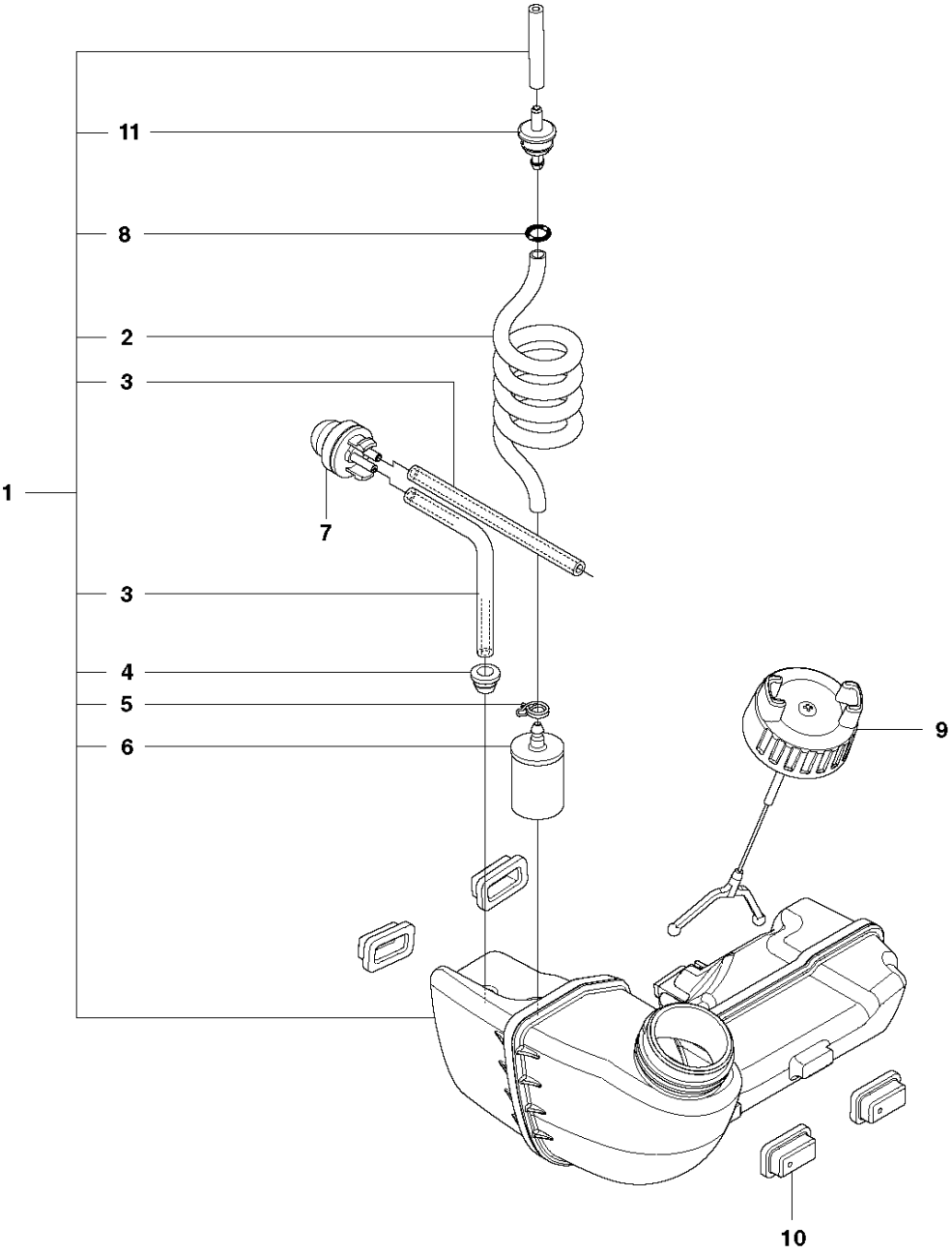


CYLINDER, PISTON & MUFFLER

327 HE3 X-SERIES from 2015-02 -

| Ref | Part No | Description | Remark | QTY KIT | |
|-----|--------------|-----------------------|--------|---------|---|
| 1 | 504 03 78-01 | MUFFLER KIT | | 1 | |
| 2 | 537 22 18-01 | SPARK ARRESTER SCREEN | | 1 | 1 |
| 3 | 537 01 41-01 | GASKET | | 1 | |
| 4 | 502 07 81-01 | SCREW EHHFM | | 3 | 1 |
| 5 | 537 08 51-03 | CYLINDER | | 1 | |
| 6 | 725 53 37-55 | SCREW IHSCM | | 4 | 5 |
| 7 | 537 40 59-02 | PISTON | | 1 | 5 |
| 8 | 537 40 62-01 | PISTON RING | | 2 | 7 |
| 9 | 737 44 08-00 | CIRCLIP | | 1 | 7 |
| 10 | 503 71 22-01 | BEARING | | 1 | 7 |
| 11 | 737 44 08-00 | CIRCLIP | | 1 | 7 |

M 327HDA65x, HE3x, HE4x
FUEL TANK

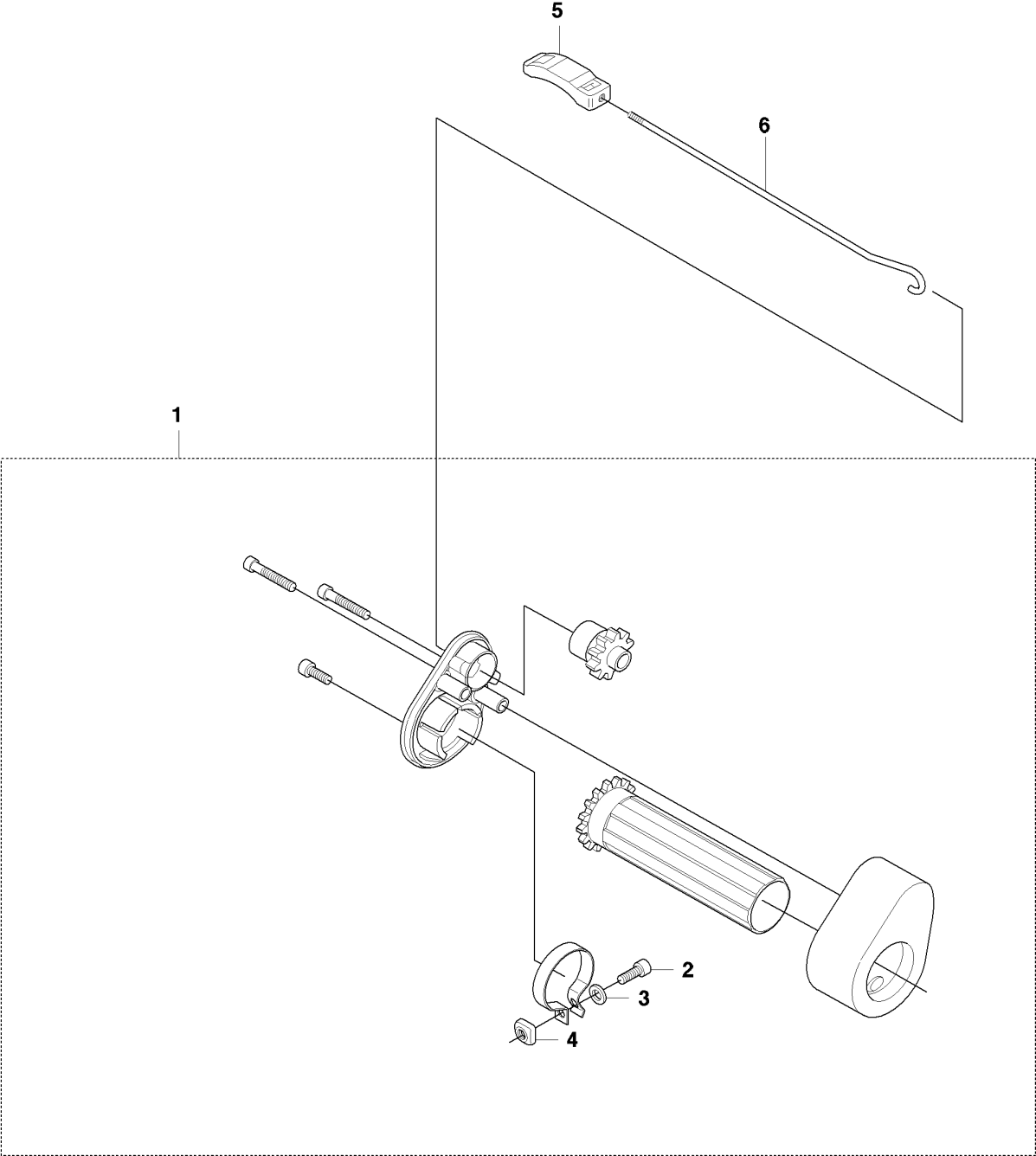


FUEL TANK

327 HE3 X-SERIES from 2015-02 -

| Ref | Part No | Description | Remark | QTY | KIT |
|-----|--------------|----------------|--------|-----|-----|
| 1 | 584 25 80-01 | FUEL TANK ASSY | | 1 | |
| 2 | 581 75 62-01 | FUEL HOSE | | 1 | 1 |
| 3 | 537 04 24-01 | FUEL HOSE | | 2 | 1 |
| 4 | 503 73 58-01 | BUSHING | | 2 | 1 |
| 5 | 504 02 24-01 | HOSE CLAMP | | 1 | 1 |
| 6 | 503 44 32-01 | FILTER | | 1 | 1 |
| 7 | 503 93 66-01 | PRIMER HOUSING | | 1 | |
| 8 | 537 18 49-01 | O-RING | | 1 | |
| 9 | 544 88 97-02 | TANK CAP | | 1 | |
| 10 | 503 91 10-01 | SUSPENSION | | 4 | |
| 11 | 578 29 56-01 | HOSE NIPPLE | | 1 | 2 |

E 327 HE4x, 327 HE3x
LEVER

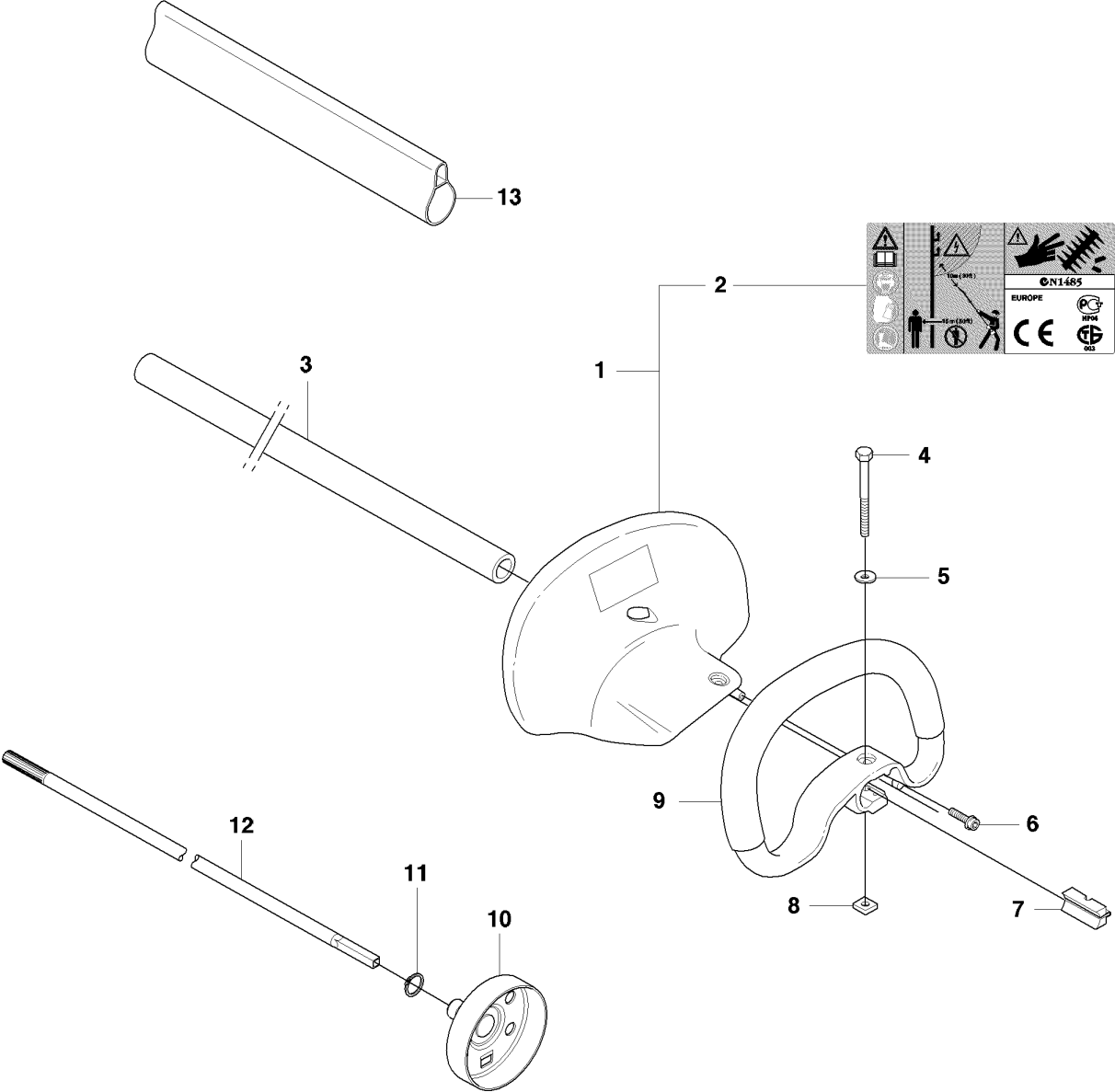


HANDLE

327 HE3 X-SERIES from 2015-02 -

| Ref | Part No | Description | Remark | QTY | KIT |
|-----|--------------|-------------|--------|-----|-----|
| 1 | 537 29 50-02 | HANDLE | | 1 | |
| 2 | 725 53 29-55 | SCREW IHSCM | | 1 | 1 |
| 3 | 734 11 46-01 | WASHER | | 1 | 1 |
| 4 | 503 22 65-01 | SQUARE NUT | | 1 | 1 |
| 5 | 537 29 56-01 | CLAMP | | 1 | |
| 6 | 522 84 89-01 | SHAFT | | 1 | |

D2 327 HE3x
HANDLEBAR

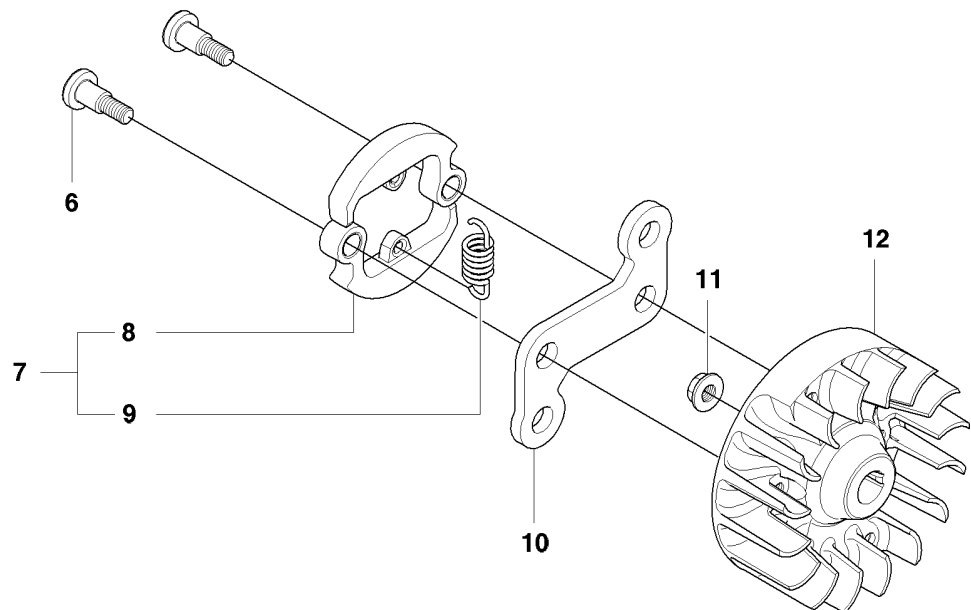
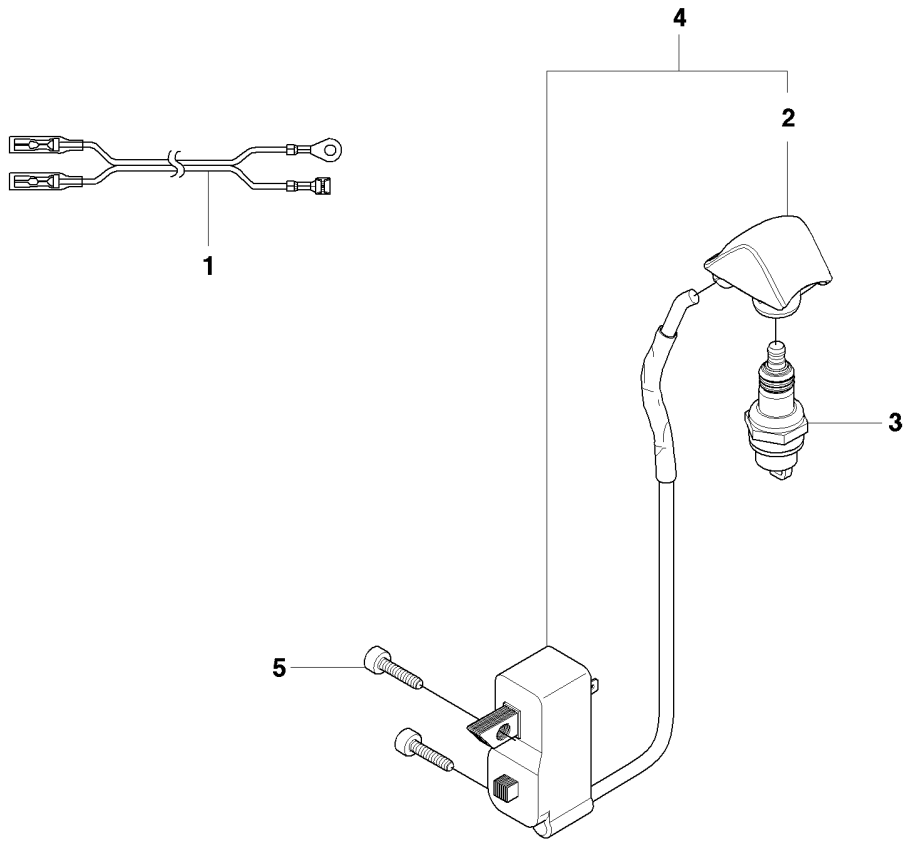


HANDLE

327 HE3 X-SERIES from 2015-02 -

| Ref | Part No | Description | Remark | QTY KIT |
|-----|--------------|------------------|--------|---------|
| 1 | 544 11 89-03 | HAND GUARD | | 1 |
| 2 | 587 11 37-01 | LABEL | | 1 |
| 3 | 537 08 27-01 | TUBE | | 1 |
| 4 | 725 23 78-51 | SCREW EHHM | | 1 |
| 5 | 734 11 52-01 | WASHER | | 1 |
| 6 | 503 21 75-16 | SCREW IHSCFT | | 1 |
| 7 | 503 94 03-01 | DISTANCE | | 1 |
| 8 | 502 19 71-01 | SQUARE NUT | | 1 |
| 9 | 503 87 19-03 | HANDLE | | 1 |
| 10 | 537 24 00-01 | CLUTCH DRUM ASSY | | 1 |
| 11 | 735 31 12-00 | CIRCLIP | | 1 |
| 12 | 537 23 48-04 | DRIVE SHAFT | | 1 |
| 13 | 537 41 64-02 | COVER | | 1 |

N 327HDA65x, HE3x, HE4x
IGNITION & CLUTCH



IGNITION SYSTEM & CLUTCH

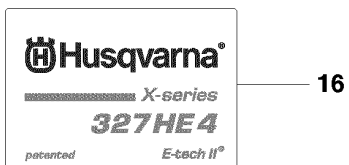
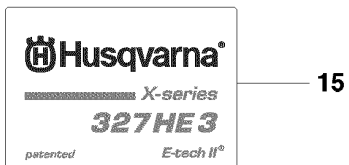
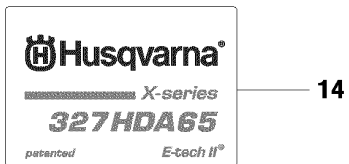
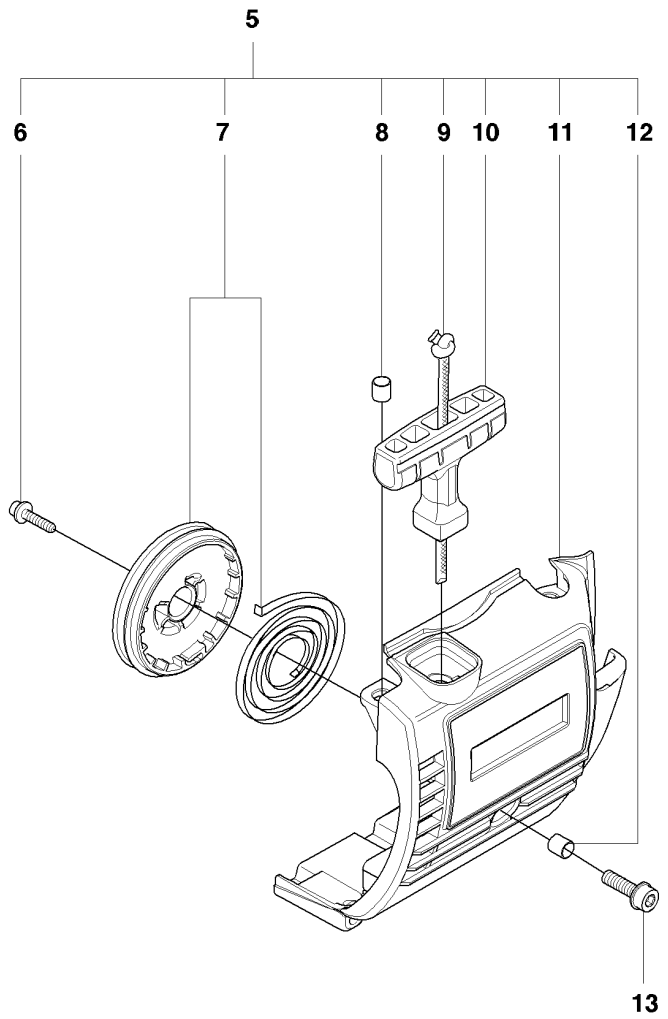
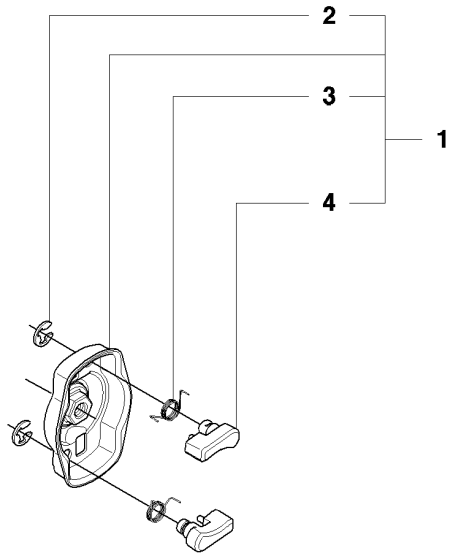
327 HE3 X-SERIES from 2015-02 -

| Ref | Part No | Description | Remark | QTY | KIT |
|-----|--------------|---------------------|--------|-----|-----|
| 1 | 502 49 36-01 | SHORT CIRCUIT CABLE | | 1 | |
| 2 | 537 43 43-01 | SPARK PLUG CAP | | 1 | 4 |
| 3 | 503 23 51-09 | SPARK PLUG | | 1 | |
| 4 | 502 49 37-01 | IGNITION MODULE | | 1 | |
| 5 | 503 21 66-18 | SCREW IH SCT | | 2 | |
| 6 | 503 84 29-02 | SCREW | | 2 | |
| 7 | 537 04 01-02 | CLUTCH ASSY | | 1 | |
| 9 | 503 14 51-01 | CLUTCH SPRING | | 1 | 9 |
| 10 | 537 04 68-02 | WASHER | | 1 | |
| 11 | 537 24 25-01 | CLUTCH HUB | | 1 | |
| 12 | 537 24 96-02 | FLYWHEEL | | 1 | |
| 8 | 537 04 00-02 | CLUTCH SHOE | | 1 | |

STARTER

327 HE3 X-SERIES from 2015-02 -

L 327HDA65x, HE3x, HE4x
STARTER

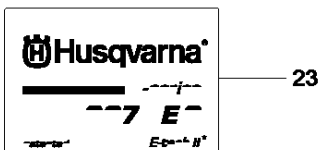
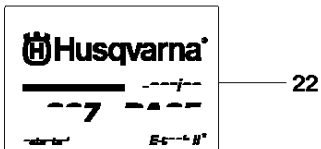
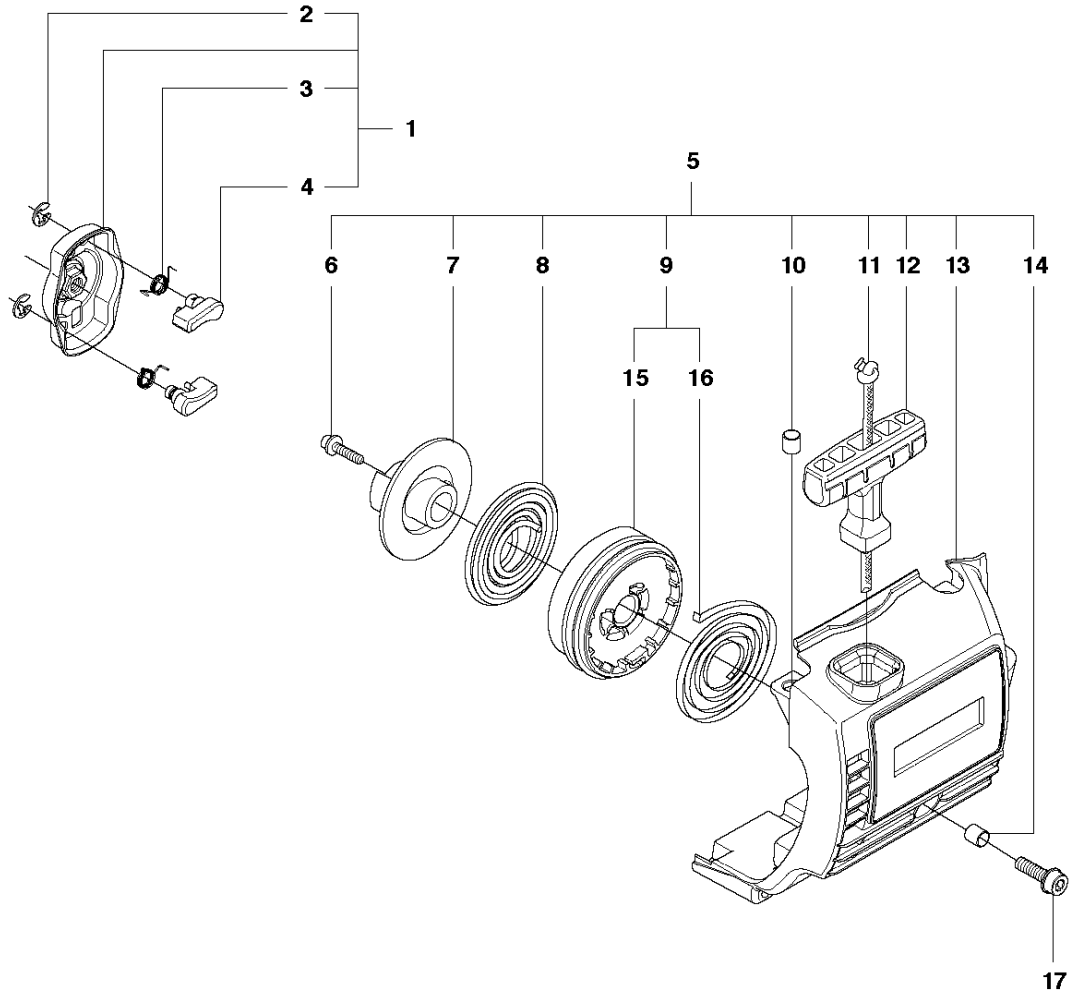


STARTER

327 HE3 X-SERIES from 2015-02 -

| Ref | Part No | Description | Remark | QTY KIT | |
|-----|--------------|-----------------|-----------|---------|---|
| 1 | 503 87 33-05 | BRIDGE | | 1 | |
| 2 | 735 31 08-20 | E-CLIP | | 2 | 1 |
| 3 | 503 87 36-01 | SPRING | | 1 | 1 |
| 4 | 503 87 35-02 | STARTER PAWL | | 2 | 1 |
| 5 | 503 85 28-06 | STARTER ASSY | | 1 | |
| 6 | 503 21 77-16 | SCREW IH SCT | | 1 | 5 |
| 7 | 503 96 49-01 | STARTER PULLEY | | 1 | 5 |
| 8 | 537 37 93-02 | SPACING SLEEVE | | 2 | 5 |
| 9 | 503 85 89-01 | STARTER CORD | | 1 | 5 |
| 10 | 537 00 84-01 | STARTER HANDLE | | 1 | 5 |
| 11 | 503 85 87-02 | STARTER HOUSING | | 1 | 5 |
| 12 | 537 37 93-02 | SPACING SLEEVE | | 1 | 5 |
| 13 | 503 20 03-16 | SCREW IH SCFM | | 1 | |
| 14 | 537 35 34-66 | LABEL | 327HDA65x | 1 | |
| 15 | 537 35 34-67 | LABEL | 327HE3x | 1 | |
| 16 | 537 35 34-68 | LABEL | 327HE4x | 1 | |

K1 327HDA65x, HE3x
STARTER

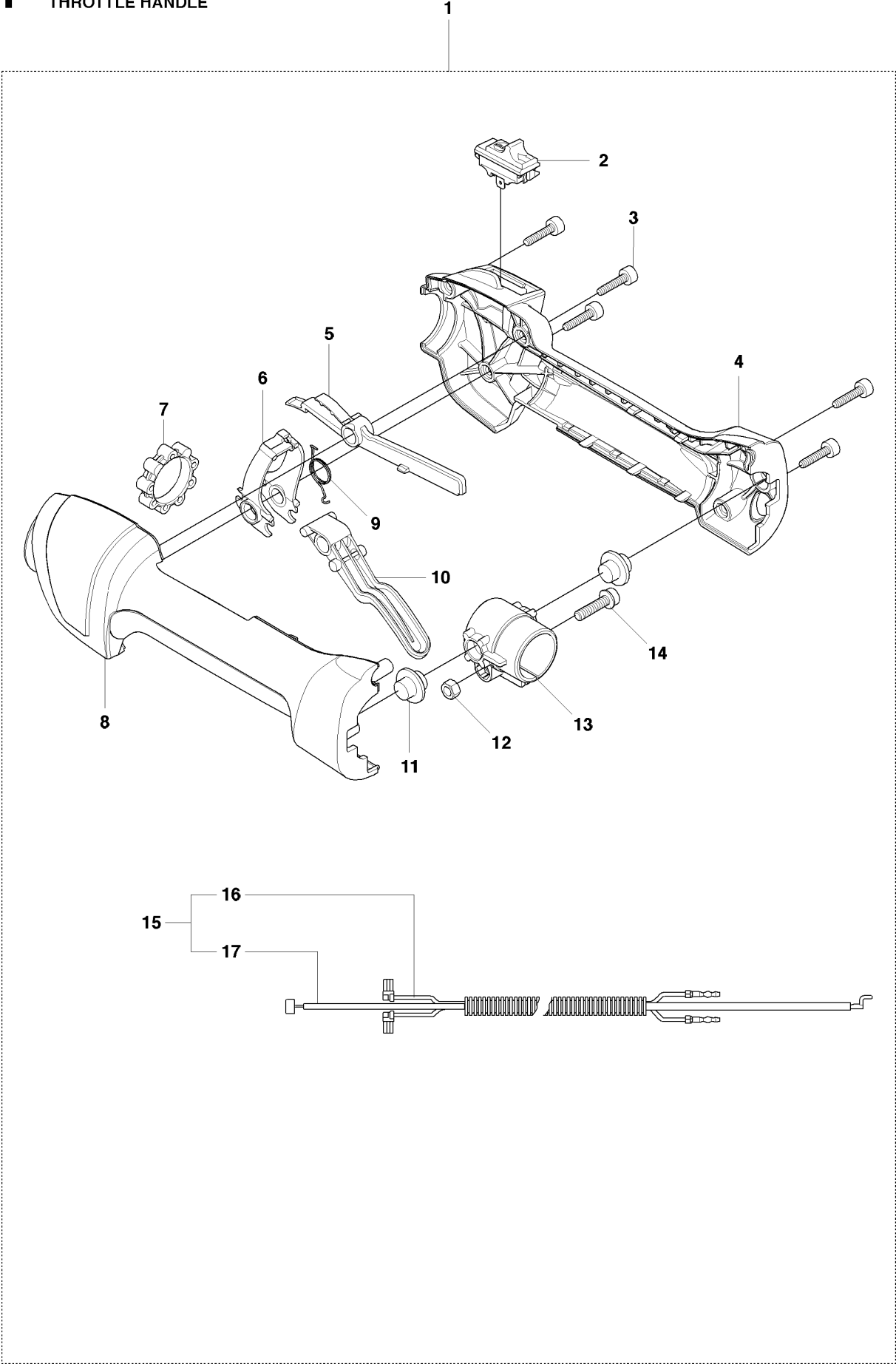


STARTER

327 HE3 X-SERIES from 2015-02 -

| Ref | Part No | Description | Remark | QTY | KIT |
|-----|--------------|---------------------|---------|-----|------|
| 1 | 503 87 33-05 | BRIDGE | | 1 | |
| 2 | 735 31 08-20 | E-CLIP | | 2 | 1 |
| 3 | 503 87 36-01 | SPRING | | 2 | 1 |
| 4 | 503 87 35-02 | STARTER PAWL | | 2 | 1 |
| 5 | 544 07 11-02 | STARTER ASSY | | 1 | |
| 6 | 503 21 77-25 | SCREW IH SCT | | 1 | 5 |
| 7 | 544 03 87-01 | DRIVER | | 1 | 5 |
| 8 | 544 03 88-01 | SPRING | | 1 | 5 |
| 9 | 544 16 65-01 | STARTER PULLEY ASSY | | 1 | 5 |
| 10 | 537 37 93-02 | SPACING SLEEVE | | 2 | 5 |
| 11 | 503 85 89-01 | STARTER CORD | | 1 | 5 |
| 12 | 537 00 84-01 | STARTER HANDLE | | 1 | 5 |
| 13 | 537 41 16-01 | STARTER HOUSING | | 1 | 5 |
| 14 | 537 37 93-02 | SPACING SLEEVE | | 1 | 5 |
| 15 | 544 03 86-01 | STARTER PULLEY | | 1 | 5, 9 |
| 16 | 503 85 90-01 | RECOIL SPRING | | 1 | 5, 9 |
| 17 | 503 20 03-03 | SCREW IHSCFM | M5X16 | 1 | |
| 22 | 537 35 34-66 | LABEL | 327HE3x | 1 | |
| 23 | 537 35 34-67 | LABEL | 327HE3x | 1 | |

F 327HDA65x, HE3x, HE4x
THROTTLE HANDLE



THROTTLE CONTROLS

327 HE3 X-SERIES from 2015-02 -

| Ref | Part No | Description | Remark | QTY | KIT |
|-----|--------------|---------------------|--------|-----|-------|
| 1 | 544 14 36-04 | CONTROL | | 1 | |
| 2 | 537 41 90-01 | SWITCH | | 1 | 1 |
| 3 | 503 21 66-18 | SCREW IH SCT | | 5 | 1 |
| 4 | 544 10 02-02 | HANDLE HALF | | 1 | 1 |
| 5 | 503 87 80-01 | THROTTLE LOCKOUT | | 1 | 1 |
| 6 | 503 91 81-01 | THROTTLE LEVER | | 1 | 1 |
| 7 | 503 96 14-01 | ABSORBER | | 1 | 1 |
| 8 | 544 10 03-02 | HANDLE HALF | | 1 | 1 |
| 9 | 544 10 08-01 | RECOIL SPRING | | 1 | 1 |
| 10 | 503 87 79-03 | THROTTLE TRIGGER | | 1 | 1 |
| 11 | 544 10 17-02 | DAMPER | | 2 | 1 |
| 12 | 731 23 14-01 | HEXAGON NUT | | 1 | 1 |
| 13 | 544 11 21-01 | RETAINER | | 1 | 1 |
| 14 | 503 20 03-20 | SCREW IH SCFM | | 1 | 1 |
| 15 | 502 65 13-01 | WIRING | | 1 | 1 |
| 16 | 502 53 16-01 | SHORT CIRCUIT CABLE | | 1 | 1, 16 |
| 17 | 544 17 17-03 | THROTTLE WIRE ASSY | | 1 | 1, 16 |

Illustrated Parts List - IPL Update



Product Name(s)

327 HE3 X-SERIES

Description of change

Warning label changed.

Comments

Fully exchangeable.

Introduced from

| Serial number / Date | Remark |
|-----------------------------|---------------------|
| 2014-08 | Label: 587 11 37-01 |

IPL updates

| Page Title | Ref. no | New part no | Name | Excl. part no. | Remark |
|-------------------|----------------|--------------------|-------------|-----------------------|---------------|
| Handle | 2 | 587 11 37-01 | Label | 544 04 41-02 | |