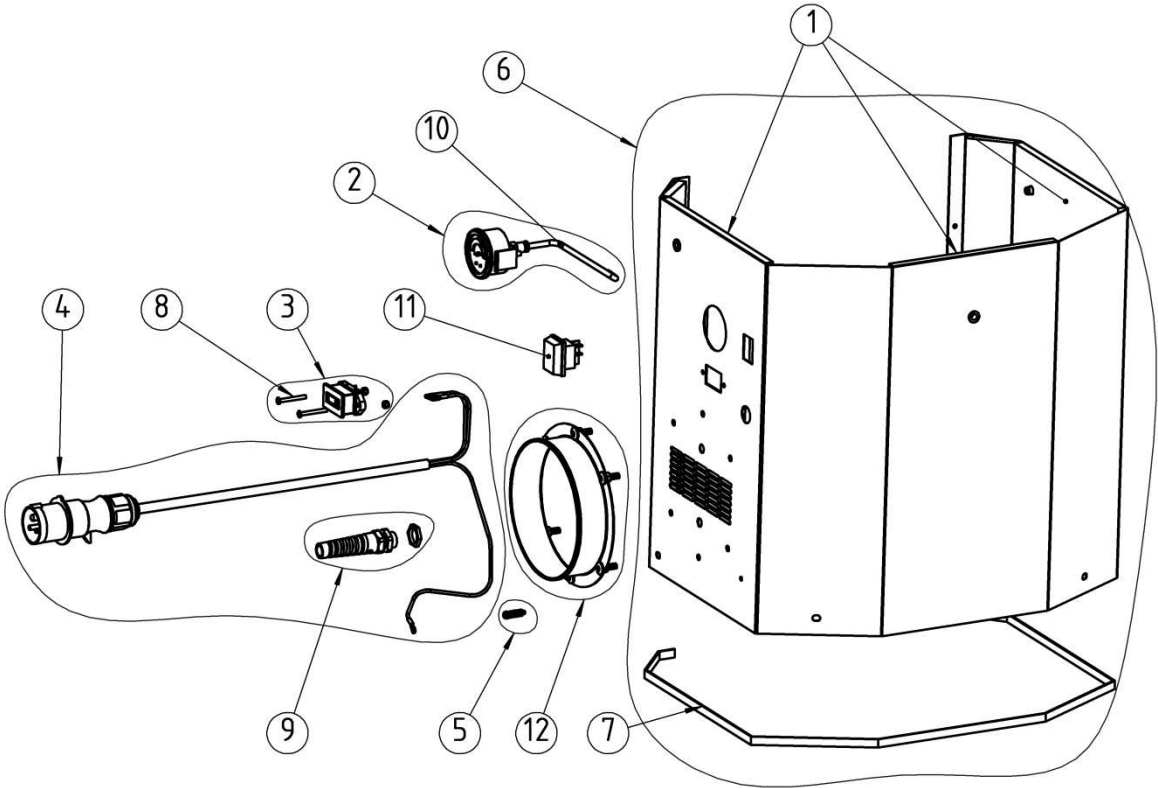


# S36 230V

MOTOR COVER



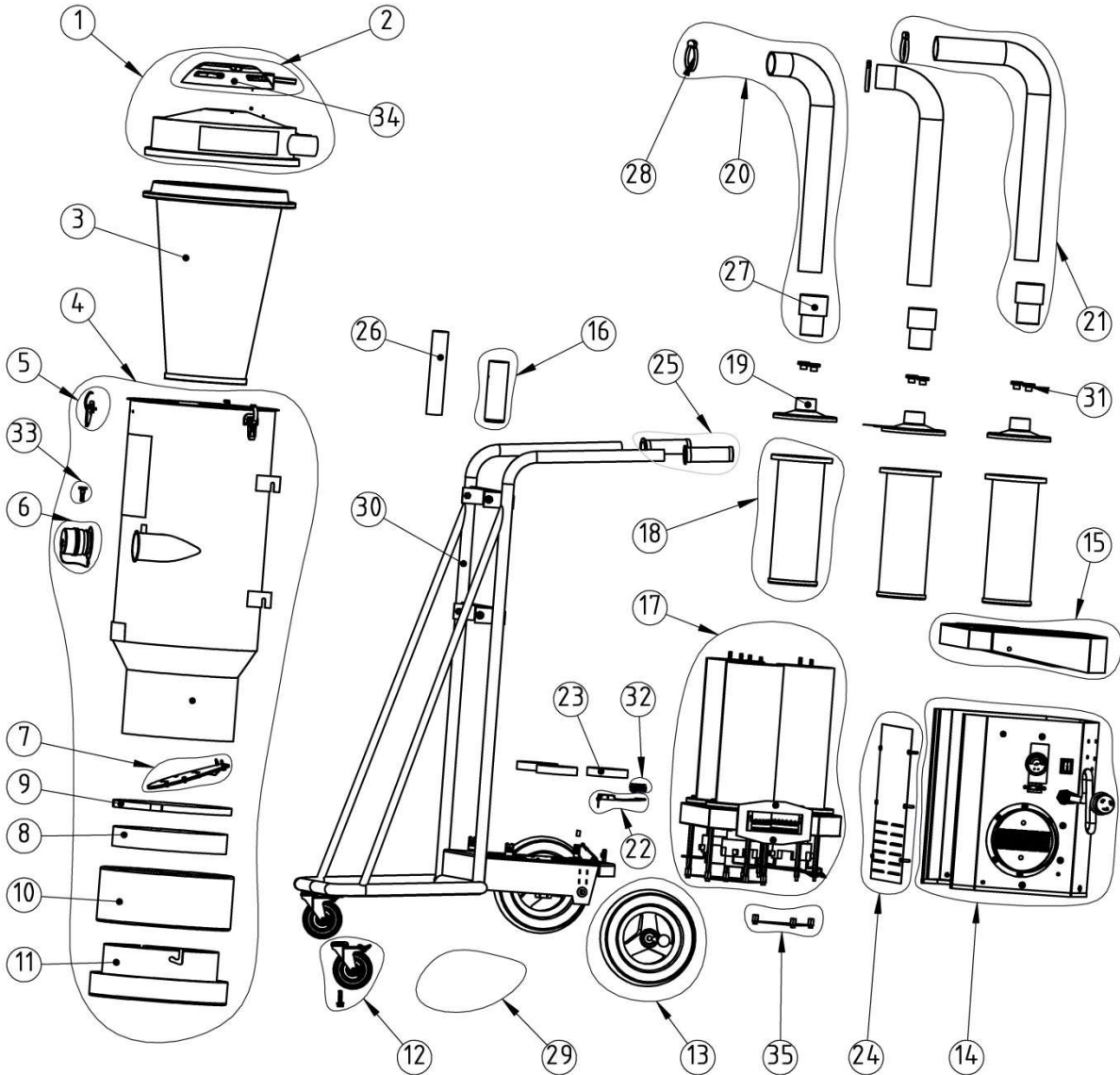
S36

230V MOTOR COVER

	<b>P.E Article</b>	<b>HVA Article</b>		
	<b>Number (valid until</b>	<b>Number (valid from</b>		
<b>Pos</b>	<b>2018-02-28)</b>	<b>2017-11-27)</b>	<b>Description</b>	<b>QTY</b>
1	201100165	590450601	AC FOAM PACKING	1
2	200700413	590396701	MANOMETER KIT	1
3	201000133	590415301	COUNTER SET	1
4	201100149	590450201	CORD SET PACKING	1
5	201000211	590449601	GROUNDING SCREW KIT	1
6	201000212	590449701	MOTOR COVER	1
7	201100163	590450401	SEALING PACKING	1
8	201000213	590449801	SCREW SET OF COUNTER	2
9	201100150	590402501	CABLE FIX KIT (PG13)	1
10	201100164	590450501	HOSE PACKING	1
11	201100151	590402601	SWITCH PACKING	1
12	201000208	590449301	160MM EXHAUST AIR OUTLET PACKING	1

# S36 230V 30A

EXPLODED VIEW



S36

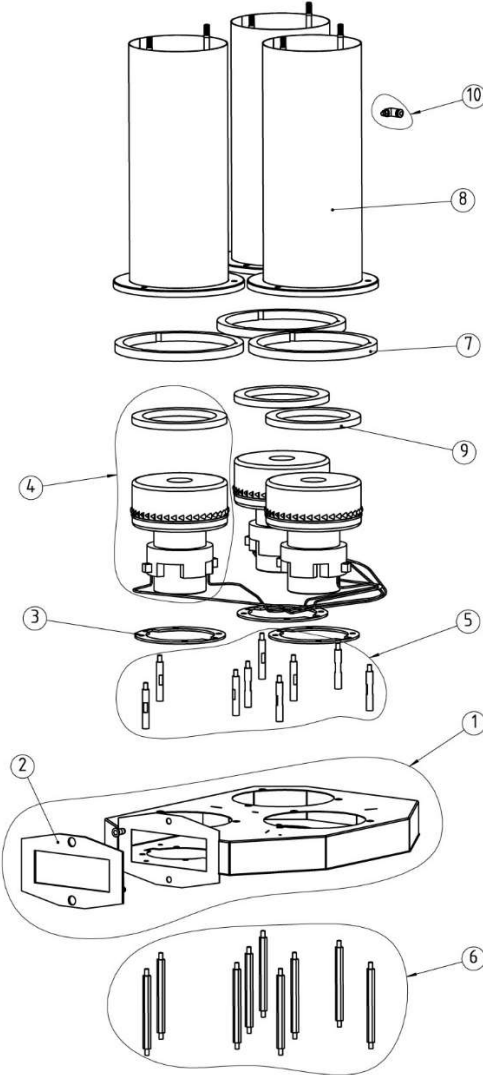
230V

30A EXPLODED VIEW

<b>Pos</b>	<b>P.E Article Number (valid until</b>	<b>HVA Article Number (valid from</b>	<b>Description</b>	<b>QTY</b>
1	201100160	590478601	TOP COVER PACKING (ex. S36)	1
2	201000118	590415001	CLEAN UNIT ASSEMBLY PACKING	1
3	200900051	590430202	FILTER	1
4	201000200	590478501	TANK COMPLETE (ex. S36)	1
5	200600799	590396401	HOLDER KIT	3
6	201000145	590426701	INLET SEAL COMPLETE SET	1
7	201000116	590398601	FLAP KIT	1
8	201100141	590402301	ANTI-SKID PACKING	1
9	201100140	590401801	BELT PACKING	1
10	1376013	590429201	LONGOPAC BAG 4 PACK	1
11	201100135	590426901	LONGOPAC HOLDER PACKING	1
12	200800152	590397201	FRONT WHEEL KIT	1
13	200800151	590397001	REAR WHEEL KIT	1
14	201100167a	590478801	MOTOR COVER ASSEMBLY (ex. S36 30 A OUTLET)	1
15	201000201	590448701	TOP MOTOR COVER KIT (ex.S36)	1
16	200800153	590426401	CLIP HOLDER KIT	1
17	201100169	590450701	MOTOR BOX KIT PACKING	1
18	200700070a	590429801	HEPA FILTER S-LINE USA	3
19	201000121	590398901	FILTER COVER KIT	3
20	201000203	590448801	MIDDLE HOSE KIT OF S36	2
21	201000204	590448901	HOSE KIT OF S36	1
22	200700410	590426201	SOFT START 230V, KIT	1
23	201100161	590450301	INSULATION PACKING	3
24	201000205	590449001	PLATE COVER KIT OF MOTOR COVER	1
25	201000206	590449101	HANDLE KIT PACKING	1
26	95102	590426001	LONGOPAC SEAL CLIPS(60 PCS)	1
27	201100125	590438101	HOSE END (51MM) PACKING	3
28	201100137	590400801	HOSE CLAMP 60-65 PACKING	3
29	201000207	590449201	SCREW AND NUT SET OF S36	1
30	201000209	590449401	WAGON ASSEMBLY	1
31	201100128	590400701	KUNRLED THUMB NUT	6
32	201000210	590449501	CONNECTION BRIDGE KIT	1
33	201100139	590401601	LOCKING DEVICE PACKING	1
34	201000670	590399601	TOP COVER KIT ex. CLEAN UNIT	1
35	201500175	590476801	BOTTOM COVER KIT	3

# S36 230V 30A

MOTOR PACAKAGE

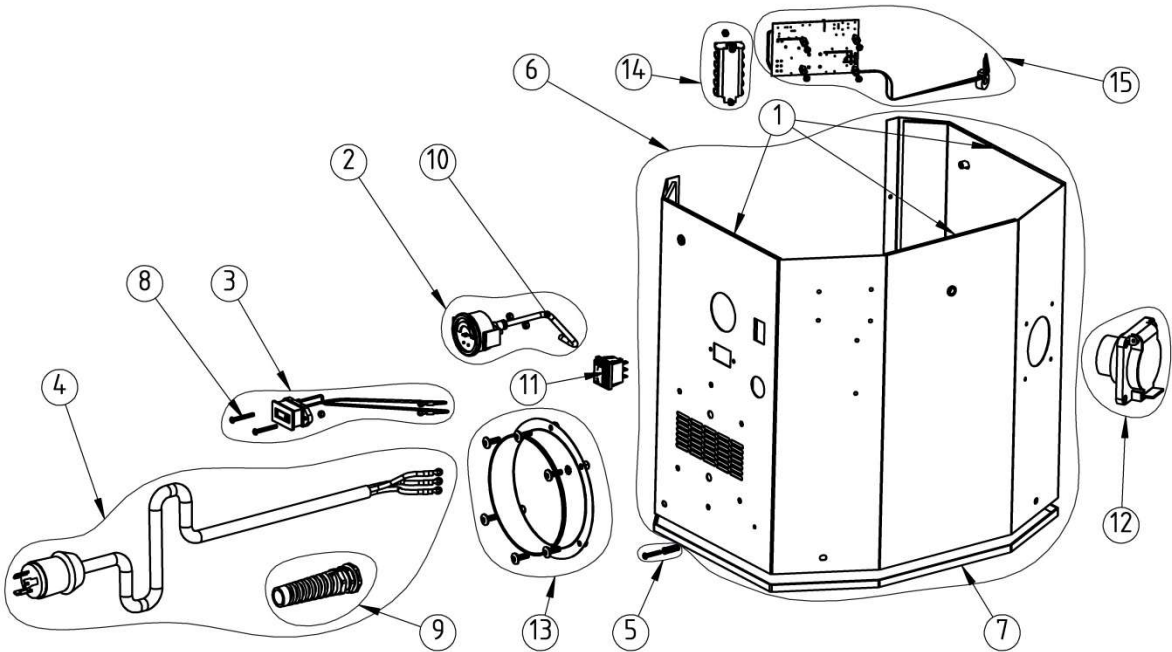


S36  
230V  
30A MOTOR PACKAGE

<b>Pos</b>	<b>P.E Article Number (valid until</b>	<b>HVA Article Number (valid from</b>	<b>Description</b>	<b>QTY</b>
1	201100171	590450901	MOTOR BOX (ex. S36)	1
2	201100172	590451001	SEALING 160 mm OUTLET	1
3	201100173	590451101	SEALING PACKING	1
4	200800060	590396901	MOTOR 230V KIT	3
5	201100174	590451201	UPPER SUPPORT PIN KIT (ex. S36)	1
6	201100175	590451301	LOWER SUPPORT PIN KIT (ex. S36)	1
7	201100170	590450801	TOP MOTOR SEALING	1
8	201100176	590451401	FILTER HOUSING	3
9	201100177	590451501	MOTOR SEALING KIT	1
10	201000178	590448601	NIPPLE ANGLE KIT	1

# S36 230V 30A

MOTOR COVER



S36

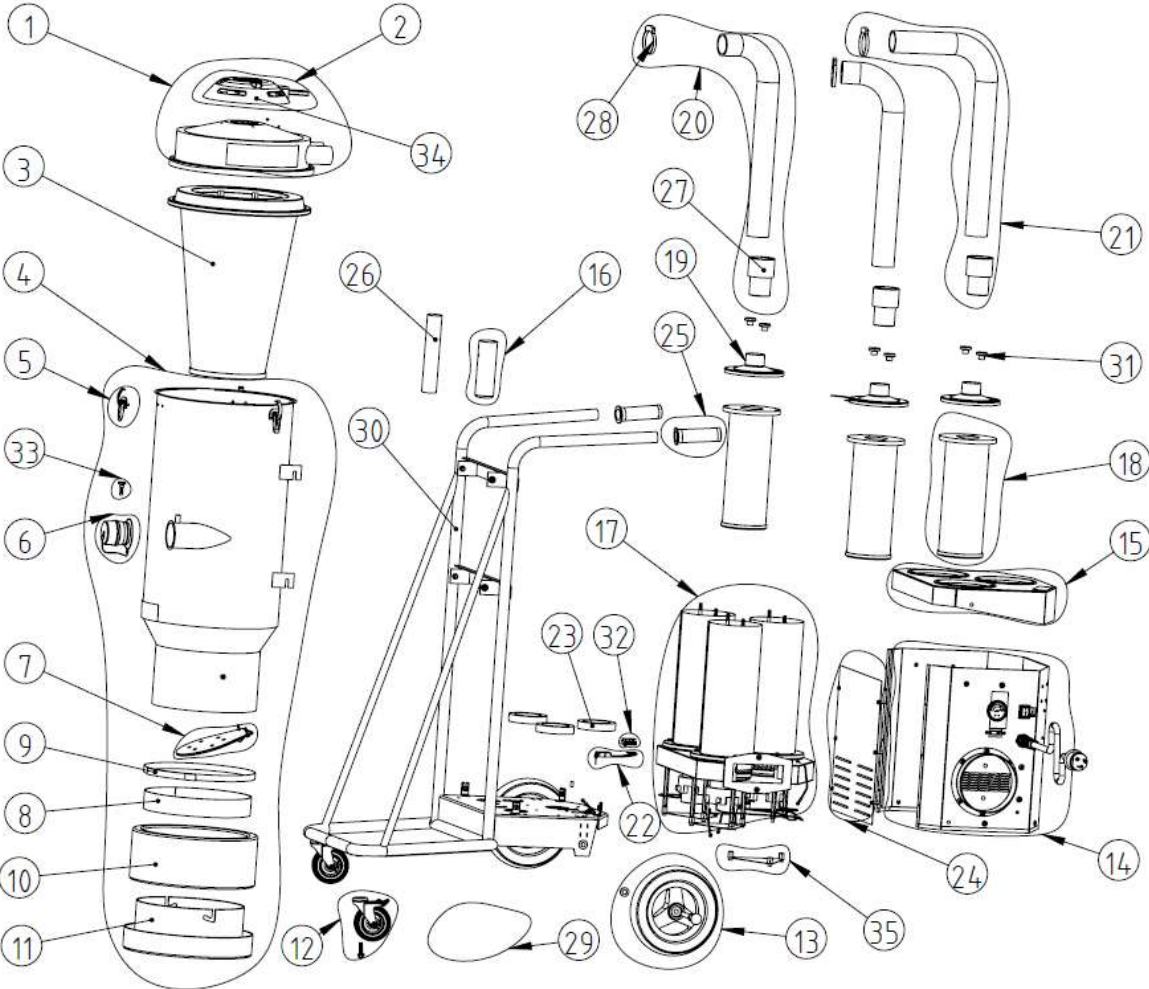
230V

30A MOTOR COVER

<b>Pos</b>	<b>P.E Article Number (valid until</b>	<b>HVA Article Number (valid from</b>	<b>Description</b>	<b>QTY</b>
1	201100165a	590452101	AC FOAM ETL VERSION PACKING	1
2	200700413	590396701	MANOMETER KIT	1
3	201000133	590415301	COUNTER SET	1
4	201000705	590450101	CORD SET KIT (ex. S36 30A OUTLET)	1
5	201000211	590449601	GROUNDING SCREW KIT	1
6	201000212a	590452001	MOTOR COVER KIT (ex.S36a)	1
7	201100163	590450401	SEALING PACKING	1
8	201000213	590449801	SCREW SET OF COUNTER	1
9	201500181	590451801	CABLE FIX KIT PG21	1
10	201100164	590450501	HOSE PACKING	1
11	201100236	590403001	SWITCH PACKING	1
12	201000666	590449901	ELECTRICAL OUTLET 30A	1
13	201000208	590449301	160MM EXHAUST AIR OUTLET PACKING	1
14	201500179	590451601	TERMINAL STRIP KIT (ex.S36 30A)	1
15	201500180	590451701	PCBA KIT (ex.S36a 30A)	1



# S36 230V 50A



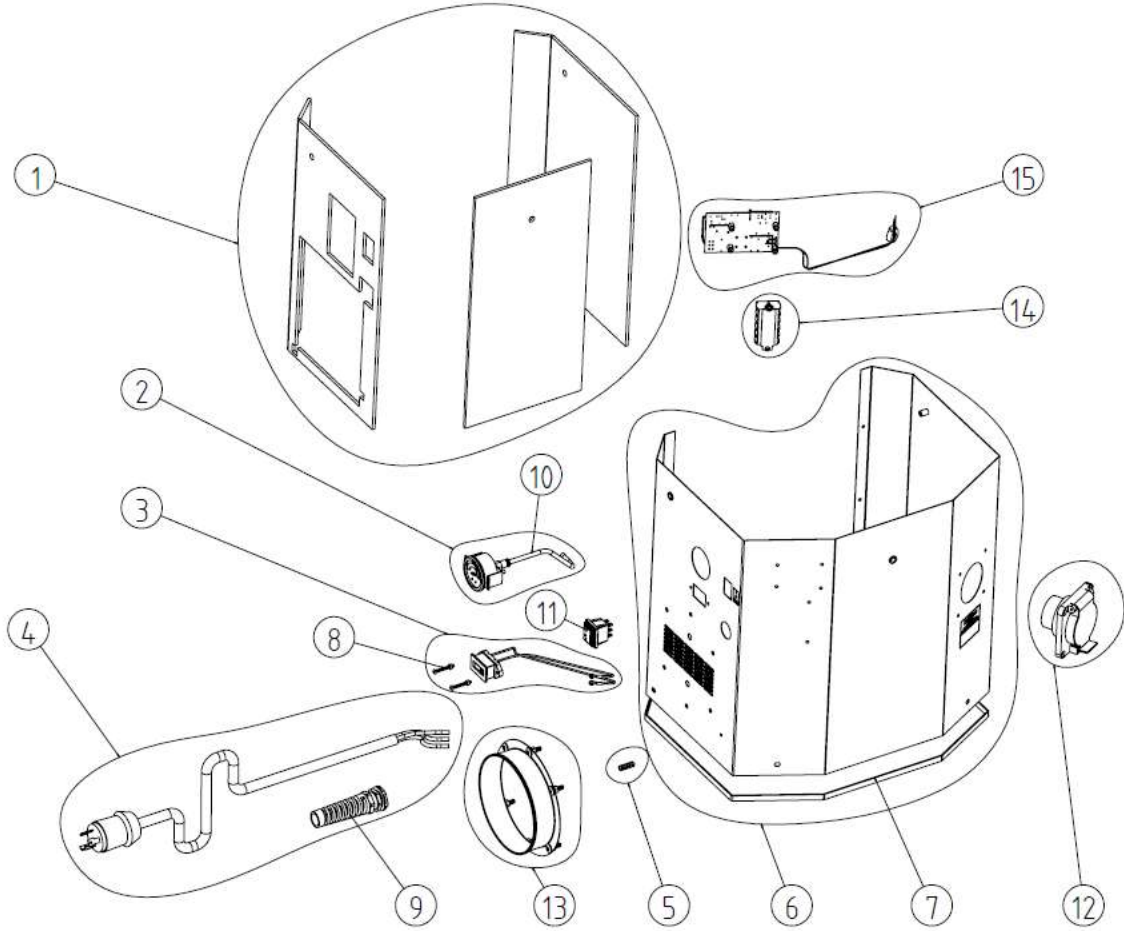
S36

230V

50A EXPLODED VIEW

	<b>P.E Article</b>	<b>HVA Article</b>		
	<b>Number (valid until</b>	<b>Number (valid from</b>		
<b>Pos</b>	<b>2018-02-28)</b>	<b>2017-11-27)</b>	<b>Description</b>	<b>QTY</b>
1	201100160	590478601	TOP COVER PACKING (ex. S36 )	1
2	201000118	590415001	CLEAN UNIT ASSEMBLY PACKING	1
3	200900051	590430202	FILTER	1
4	201000200	590478501	TANK COMPLETE (ex. S36 )	1
5	200600799	590396401	HOLDER KIT	3
6	201000145	590426701	INLET SEAL COMPLETE SET	1
7	201000116	590398601	FLAP KIT	1
8	201100141	590402301	ANTI-SKID PACKING	1
9	201100140	590401801	BELT PACKING	1
10	1376013	590429201	LONGOPAC BAG 4 PACK	1
11	201100135	590426901	LONGOPAC HOLDER PACKING	1
12	200800152	590397201	FRONT WHEEL KIT	1
13	200800151	590397001	REAR WHEEL KIT	1
			MOTOR COVER ASSEMBLY (ex. S36 50A	
14	N/A	N/A	OUTLET)	1
15	201000201	590448701	TOP MOTOR COVER KIT (ex.S36)	1
16	200800153	590426401	CLIP HOLDER KIT	1
17	201100169	590450701	MOTOR BOX KIT PACKING	1
18	200700070a	590429801	HEPA FILTER S-LINE USA	3
19	201000121	590398901	FILTER COVER KIT	3
20	201000203	590448801	MIDDLE HOSE KIT OF S36	2
21	201000204	590448901	HOSE KIT OF S36	1
22	200700410	590426201	SOFT START 230V, KIT	1
23	201100161	590450301	INSULATION PACKING	3
24	201000205	590449001	PLATE COVER KIT OF MOTOR COVER	1
25	201000206	590449101	HANDLE KIT PACKING (ex.S36)	1
26	95102	590426001	LONGOPAC SEAL CLIPS(60 PCS)	1
27	201100125	590438101	HOSE END (51MM) PACKING	3
28	201100137	590400801	HOSE CLAMP 60-65 PACKING	3
29	201000207	590449201	SCREW AND NUT SET OF S36	1
30	201000209	590449401	WAGON ASSEMBLY	1
31	201100128	590400701	KUNRLED THUMB NUT	6
32	201000210	590449501	CONNECTION BRIDGE KIT	1
33	201100139	590401601	LOCKING DEVICE PACKING	1
34	201000670	590399601	TOP COVER KIT ex. CLEAN UNIT	1
35	201500175	590476801	BOTTOM COVER KIT	3

# S36 230V 50A

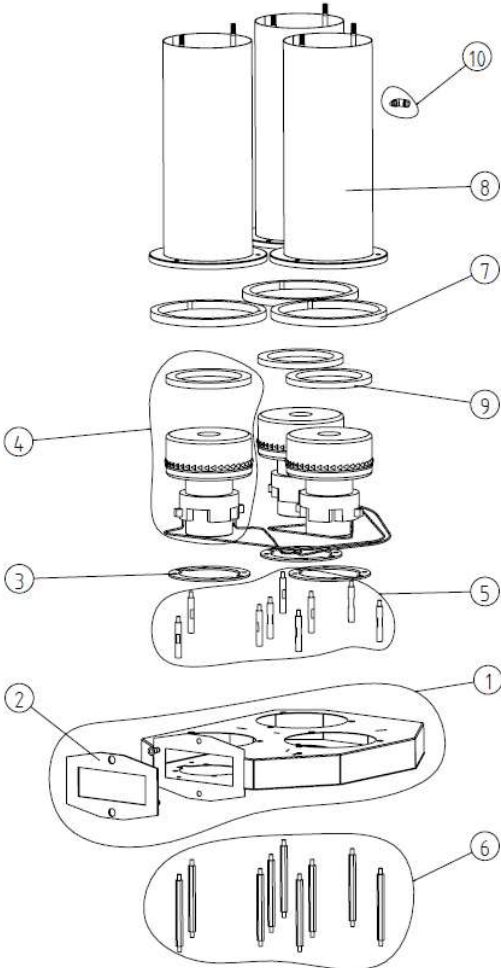


S36  
230V  
50A

MOTOR COVER

	<b>P.E Article</b>	<b>HVA Article</b>		
	<b>Number (valid until</b>	<b>Number (valid from</b>		
<b>Pos</b>	<b>2018-02-28)</b>	<b>2017-11-27)</b>	<b>Description</b>	<b>QTY</b>
1	201100165a	590452101	AC FOAM ETL VERSION PACKING	1
2	200700413	590396701	MANOMETER KIT	1
3	201000133	590415301	COUNTER SET	1
4	N/A	N/A	CORD SET KIT (ex. S36 50A OUTLET)	1
5	201000211	590449601	GROUNDING SCREW KIT	1
6	201000212d		MOTOR COVER KIT (ex.S36 50A )	1
7	201100163	590450401	SEALING PACKING	1
8	201000213	590449801	SCREW SET OF COUNTER	1
9	N/A	N/A	RACO CONNECTOR CABLE CORD KIT	1
10	201100164	590450501	HOSE PACKING	1
11	201100236	590403001	SWITCH PACKING	1
12	201000666	590449901	ELECTRICAL OUTLET 30A	1
13	201000208	590449301	160MM EXHAUST AIR OUTLET PACKING	1
14	N/A	N/A	TERMINAL STRIP KIT (ex.S36 50A)	1
15	201500180	590451701	PCBA KIT (ex.S36a 30A)	1

# S36 230 V 50A

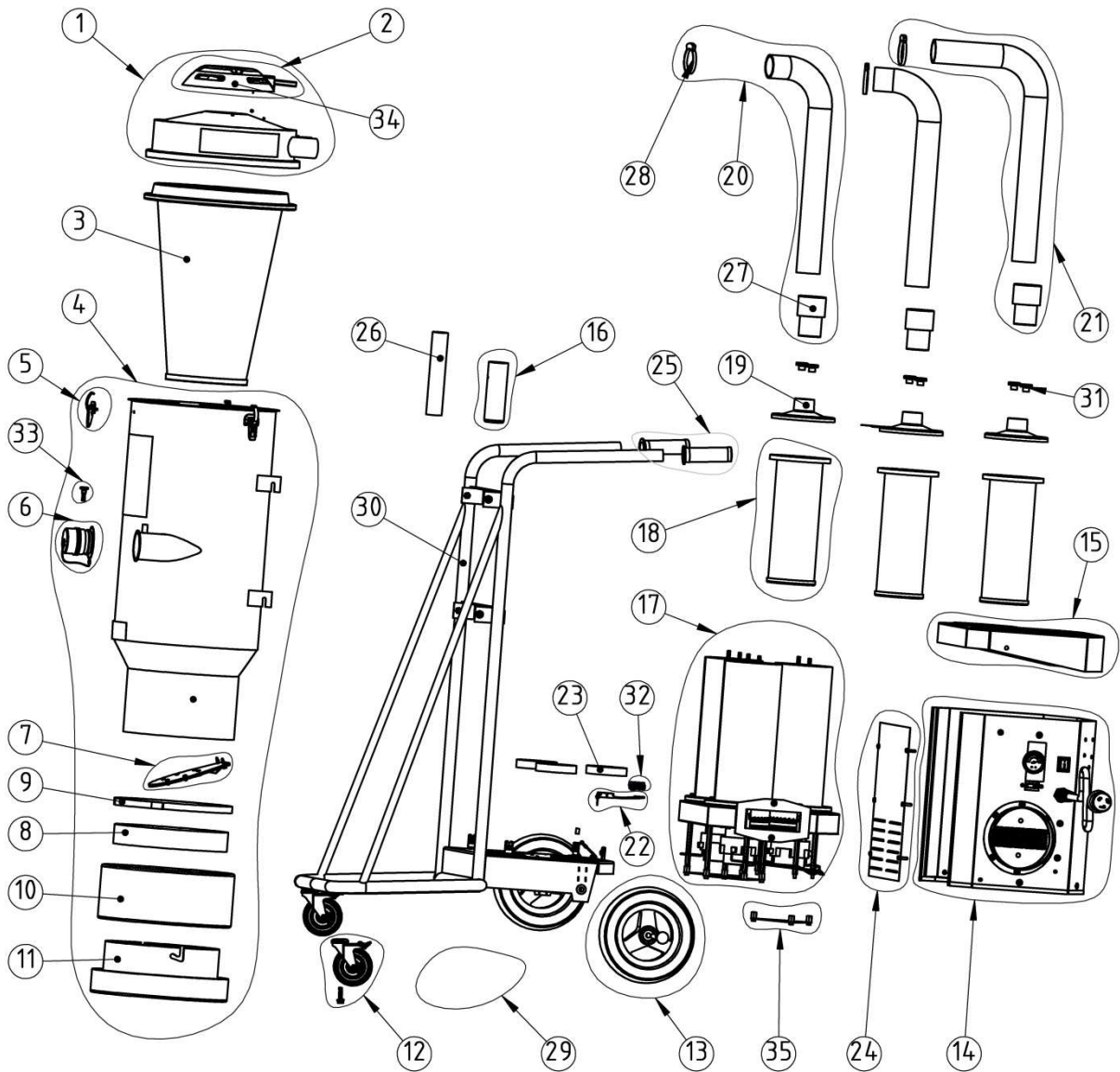


S36  
230V  
50A MOTOR PACKAGE

<b>Pos</b>	<b>P.E Article Number (valid until</b>	<b>HVA Article Number (valid from</b>	<b>Description</b>	<b>QTY</b>
1	201100171	590450901	MOTOR BOX (ex. S36)	1
2	201100172	590451001	SEALING 160 mm OUTLET	1
3	201100173	590451101	SEALING PACKING	1
4	200800060	590396901	MOTOR 230V KIT	3
5	201100174	590451201	UPPER SUPPORT PIN KIT (ex. S36)	1
6	201100175	590451301	LOWER SUPPORT PIN KIT (ex. S36)	1
7	201100170	590450801	TOP MOTOR SEALING	1
8	201100176	590451401	FILTER HOUSING	3
9	201100177	590451501	MOTOR SEALING KIT	1
10	201000178	590448601	NIPPLE ANGLE KIT	1

# S36 120V

EXPLODED VIEW



S36

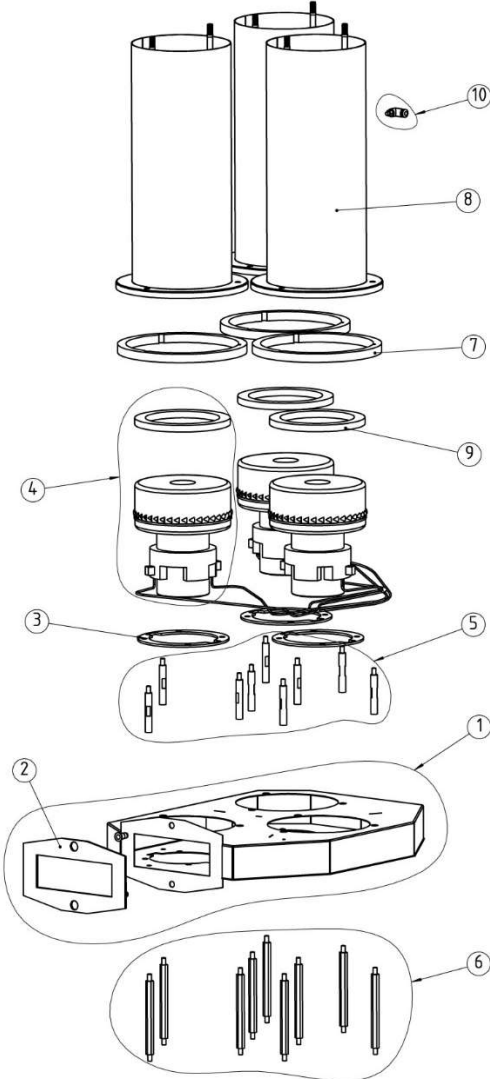
120V EXPLODED VIEW

Pos	P.E Article	HVA Article	Description	QTY
	Number (valid until 2018-02-28)	Number (valid from 2017-11-27)		
1	201100160	590478601	TOP COVER PACKING (ex. S36)	1
2	201000118	590415001	CLEAN UNIT ASSEMBLY PACKING	1
3	200900051	590430202	FILTER	1
4	201000200	590478501	TANK COMPLETE (ex. S36)	1
5	200600799	590396401	HOLDER KIT	3
6	201000145	590426701	INLET SEAL COMPLETE SET	1
7	201000116	590398601	FLAP KIT	1
8	201100141	590402301	ANTI-SKID PACKING	1
9	201100140	590401801	BELT PACKING	1
10	1376013	590429201	LONGOPAC BAG 4 PACK	1
11	201100135	590426901	LONGOPAC HOLDER PACKING	1
12	200800152	590397201	FRONT WHEEL KIT	1
13	200800151	590397001	REAR WHEEL KIT	1
			MOTOR COVER ASSEMBLY (ex. S36 USA	
14	N/A	N/A	120V)	1
15	201000201	590448701	TOP MOTOR COVER KIT (ex.S36)	1
16	200800153	590426401	CLIP HOLDER KIT	1
17	N/A	N/A	MOTOR BOX KIT(ex.S36 USA 120V)	1
18	200700070a	590429801	HEPA FILTER S-LINE USA	3
19	201000121	590398901	FILTER COVER KIT	3
20	201000203	590448801	MIDDLE HOSE KIT OF S36	2
21	201000204	590448901	HOSE KIT OF S36	1
22	200700410	590426201	SOFT START 230V, KIT	1
23	201100161	590450301	INSULATION PACKING	3
24	201000205	590449001	PLATE COVER KIT OF MOTOR COVER	1
25	201000206	590449101	HANDLE KIT PACKING	1
26	95102	590426001	LONGOPAC SEAL CLIPS(60 PCS)	1
27	201100125	590438101	HOSE END (51MM) PACKING	3
28	201100137	590400801	HOSE CLAMP 60-65 PACKING	3
29	201000207	590449201	SCREW AND NUT SET OF S36	1
30	201000209	590449401	WAGON ASSEMBLY	1
31	201100128	590400701	KUNRLED THUMB NUT	6
32	201000210	590449501	CONNECTION BRIDGE KIT	1
33	201100139	590401601	LOCKING DEVICE PACKING	1
34	201000670	590399601	TOP COVER KIT ex. CLEAN UNIT	1
35	201500175	590476801	BOTTOM COVER KIT	3



# S36 120V

MOTOR PACKAGE



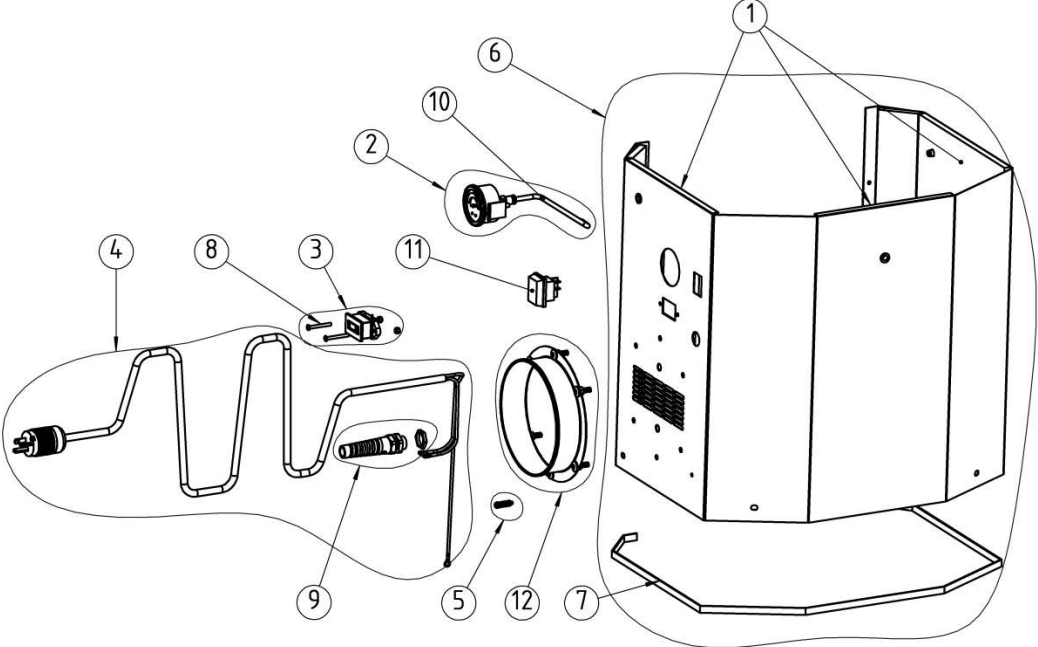
S36

120V MOTOR PACKAGE

<b>Pos</b>	<b>P.E Article Number (valid until</b>	<b>HVA Article Number (valid from</b>	<b>Description</b>	<b>QTY</b>
1	2018-02-28) 201100171	2017-11-27) 590450901	MOTOR BOX (ex. S36)	1
2	201100172	590451001	SEALING 160 mm OUTLET	1
3	201100173	590451101	SEALING PACKING	1
4	N/A	N/A	MOTOR 120V 800W KIT	3
5	201100174	590451201	UPPER SUPPORT PIN KIT (ex. S36)	1
6	201100175	590451301	LOWER SUPPORT PIN KIT (ex. S36)	1
7	201100170	590450801	TOP MOTOR SEALING	1
8	201100176	590451401	FILTER HOUSING	3
9	201100177	590451501	MOTOR SEALING KIT	1
10	201000178	590448601	NIPPLE ANGLE KIT	1

# S36 120V

MOTOR COVER

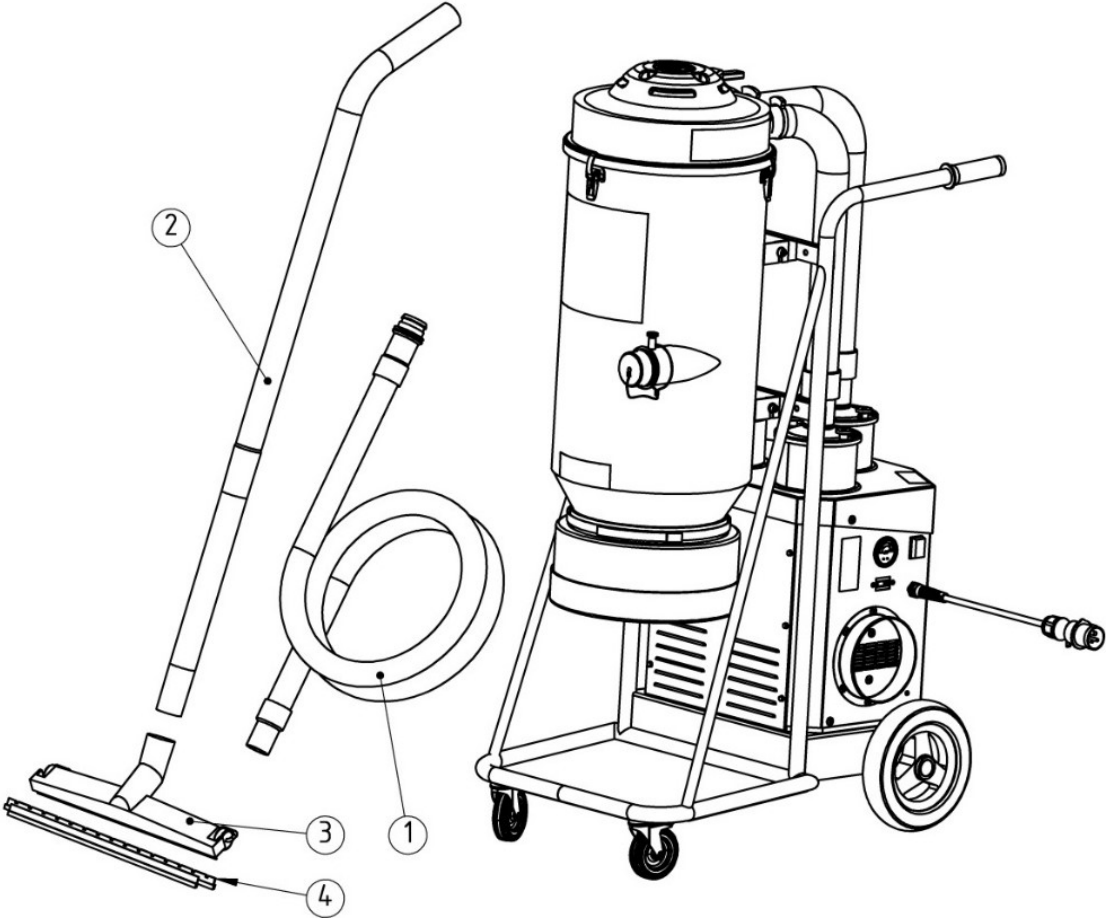


S36

120V MOTOR COVER

	<b>P.E Article</b>	<b>HVA Article</b>		
	<b>Number (valid until</b>	<b>Number (valid from</b>		
<b>Pos</b>	<b>2018-02-28)</b>	<b>2017-11-27)</b>	<b>Description</b>	<b>QTY</b>
1	201100165a	590452101	AC FOAM ETL VERSION	1
2	200700413	590396701	MANOMETER KIT	1
3	201000133	590415301	COUNTER SET	1
4	201500177	590427301	CORD SET PACKING (NEMA 5-20P)	1
5	201000211	590449601	GROUNDING SCREW KIT	1
6	N/A	N/A	MOTOR COVER 120V KIT	1
7	201100163	590450401	SEALING PACKING	1
8	201000213	590449801	SCREW SET OF COUNTER	2
9	201100150	590402501	CABLE FIX KIT (PG13)	1
10	201100164	590450501	HOSE PACKING	1
11	201100151	590402601	SWITCH PACKING	1
12	201000208	590449301	160MM EXHAUST AIR OUTLET PACKING	1

# ACCESSORIES S36



## S36 ACCESSORIES

	<b>P.E Article</b>	<b>HVA Article</b>		
	<b>Number (valid until</b>	<b>Number (valid from</b>		
<b>Pos</b>	<b>2018-02-28)</b>	<b>2017-11-27)</b>	<b>Description</b>	<b>QTY</b>
1	201000128	590437401	HOSE 63mm x 10m (ex. S36)	1
(1)	201000061	590437301	HOSE 51mm x 7,5m (ex. S26)	1
2	1224035	590829401	50S Wand Kit (2pc) dia 50	1
3	1326087	590428302	S450 Floor Tool 50mm x 450mm	1
4	1340005	590428503	AG46A BRUSHES (L=400/445)	1