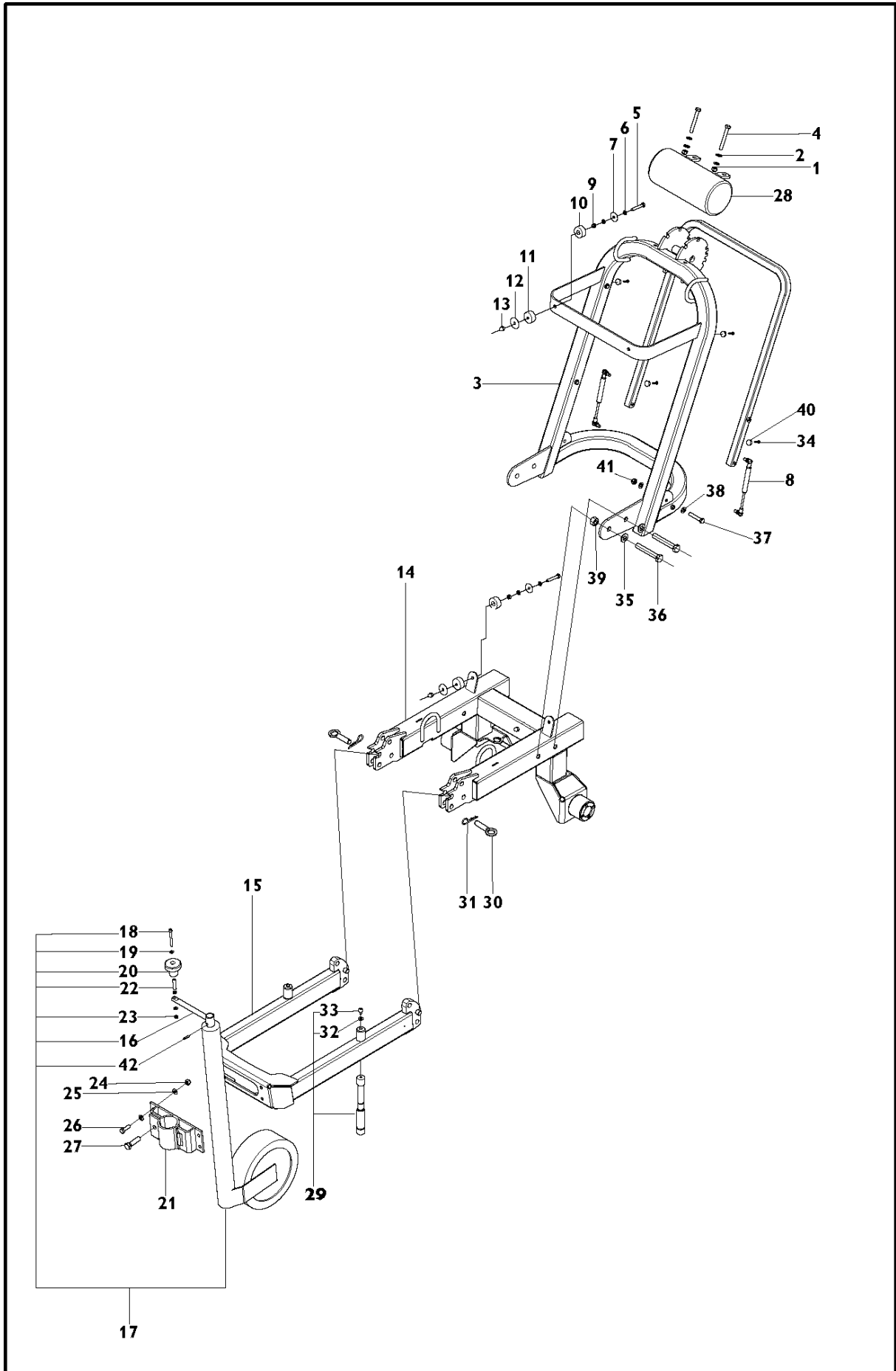




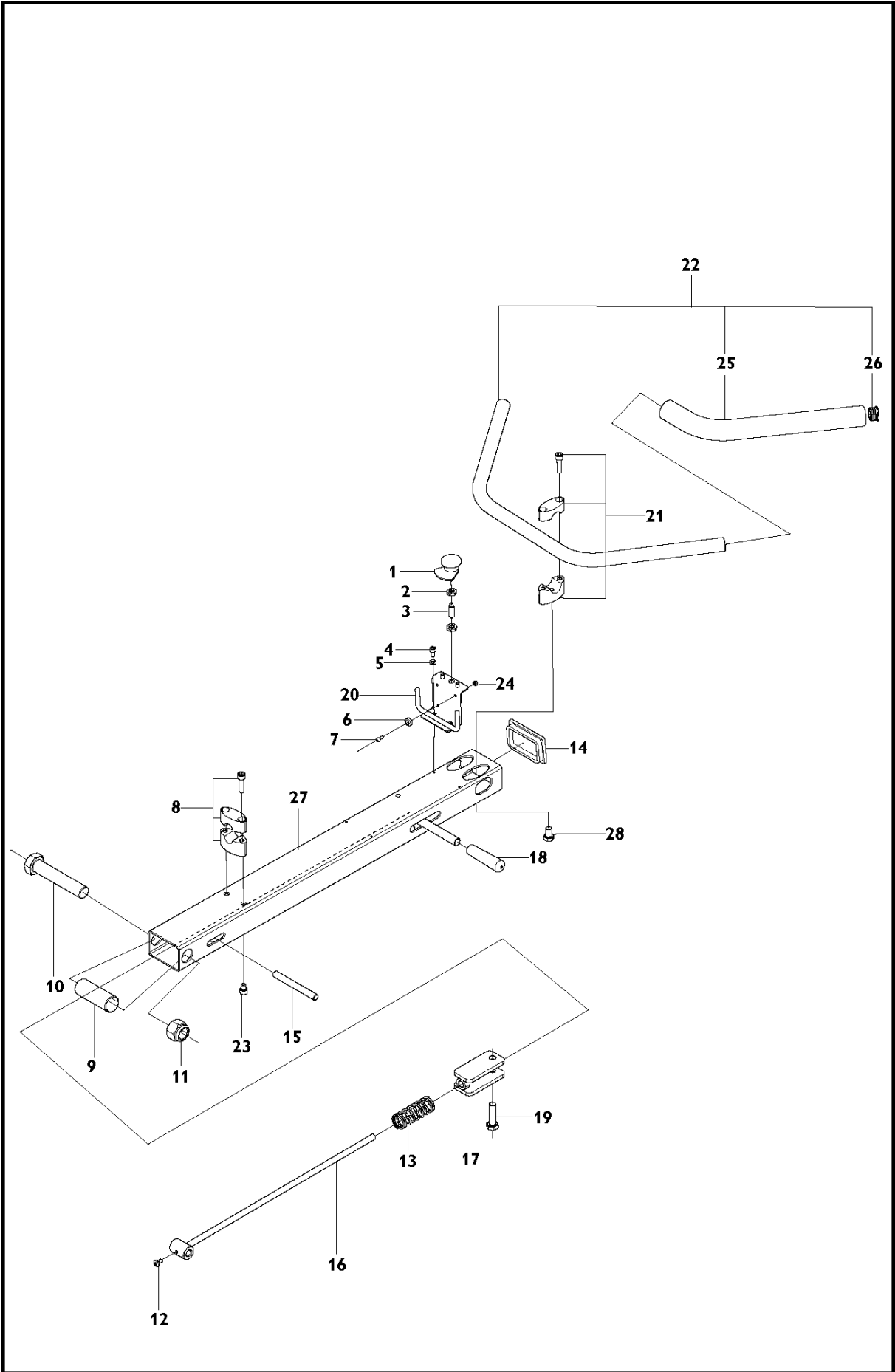
# SPARE PARTS LIST

SURFACE PREPARATION EQUIPMENT

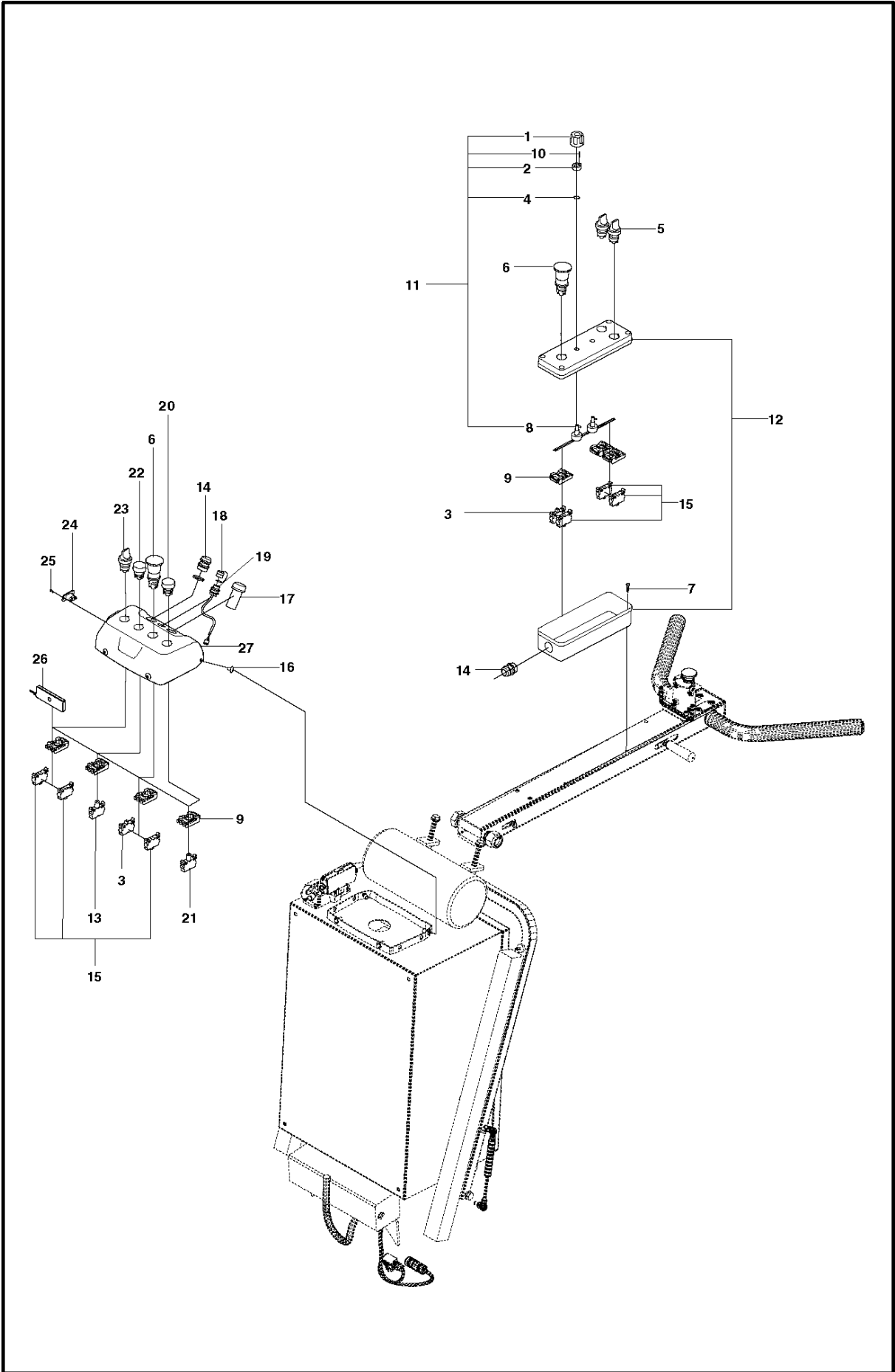
PG 820RC, 2015-02



| Ref | Part No      | Description         | Remark | QTY | KIT |
|-----|--------------|---------------------|--------|-----|-----|
| 1   | 732 25 20-01 | HEXAGON LOCKING NUT |        | 2   |     |
| 2   | 734 11 72-01 | WASHER              |        | 4   |     |
| 3   | 588 09 1601  | TBD                 |        | 1   |     |
| 4   | 725 25 07-51 | SCREW EHHM          |        | 2   |     |
| 5   | 725 24 61-71 | SCREW EHHM          |        | 4   |     |
| 6   | 735 21 64-01 | LOCKWASHER          |        | 8   |     |
| 7   | 504 74 73-01 | WASHER              |        | 4   |     |
| 8   | 502 54 47-11 | GAS SPRING          |        | 2   |     |
| 9   | 732 25 18-01 | HEXAGON LOCKING NUT |        | 4   |     |
| 10  | 502 53 39-01 | WASHER              |        | 4   |     |
| 11  | 515 98 41-01 | WASHER              |        | 4   |     |
| 12  | 521 88 67-01 | WASHER              |        | 4   |     |
| 13  | 543 04 47-66 | NUT                 |        | 4   |     |
| 14  | 586 71 69-01 | CHASSIS             |        | 1   |     |
| 15  | 586 73 50-01 | SUPPORT             |        | 1   |     |
| 16  | 587 27 21-01 | ARM                 |        | 1   | 17  |
| 17  | 588 09 18-01 | SUPPORT WHEEL       |        | 1   |     |
| 18  | 725 53 82-05 | SCREW IHSCM         |        | 1   | 17  |
| 19  | 734 11 52-01 | WASHER              |        | 3   | 17  |
| 20  | 574 34 13-01 | KNOB                |        | 1   | 17  |
| 21  | 587 20 33-01 | BRACKET             |        | 1   |     |
| 22  | 574 34 16-01 | TUBE                |        | 1   | 17  |
| 23  | 732 25 16-01 | HEXAGON LOCKING NUT |        | 1   | 17  |
| 24  | 732 25 20-01 | HEXAGON LOCKING NUT |        | 4   |     |
| 25  | 734 11 72-01 | WASHER              |        | 8   |     |
| 26  | 725 24 95-71 | SCREW EHHM          |        | 4   |     |
| 27  | 587 20 34-01 | SCREW               |        | 1   |     |
| 28  | 504 73 04-01 | WEIGHT              |        | 1   |     |
| 29  | 588 09 17-01 | GAS SPRING          |        | 2   |     |
| 30  | 504 72 97-01 | PEN                 |        | 4   |     |
| 31  | 721 68 02-51 | SPRING COTTER       |        | 4   |     |
| 32  | 734 11 52-01 | WASHER              |        | 2   | 29  |
| 33  | 725 53 62-01 | SCREW IHSCM         |        | 2   | 29  |
| 34  | 521 88 65-01 | SCREW               |        | 4   |     |
| 35  | 734 11 86-01 | WASHER              |        | 4   |     |
| 36  | 505 75 13-01 | PLUG                |        | 4   |     |
| 37  | 725 25 02-51 | SCREW EHHM          |        | 2   |     |
| 38  | 734 11 72-01 | WASHER              |        | 4   |     |
| 39  | 731 23 24-01 | HEXAGON NUT         |        | 2   |     |
| 40  | 516 05 96-01 | BUMPER              |        | 4   |     |
| 41  | 732 25 20-01 | HEXAGON LOCKING NUT |        | 2   |     |
| 42  | 721 43 43-00 | SPRING PIN          |        | 1   | 17  |



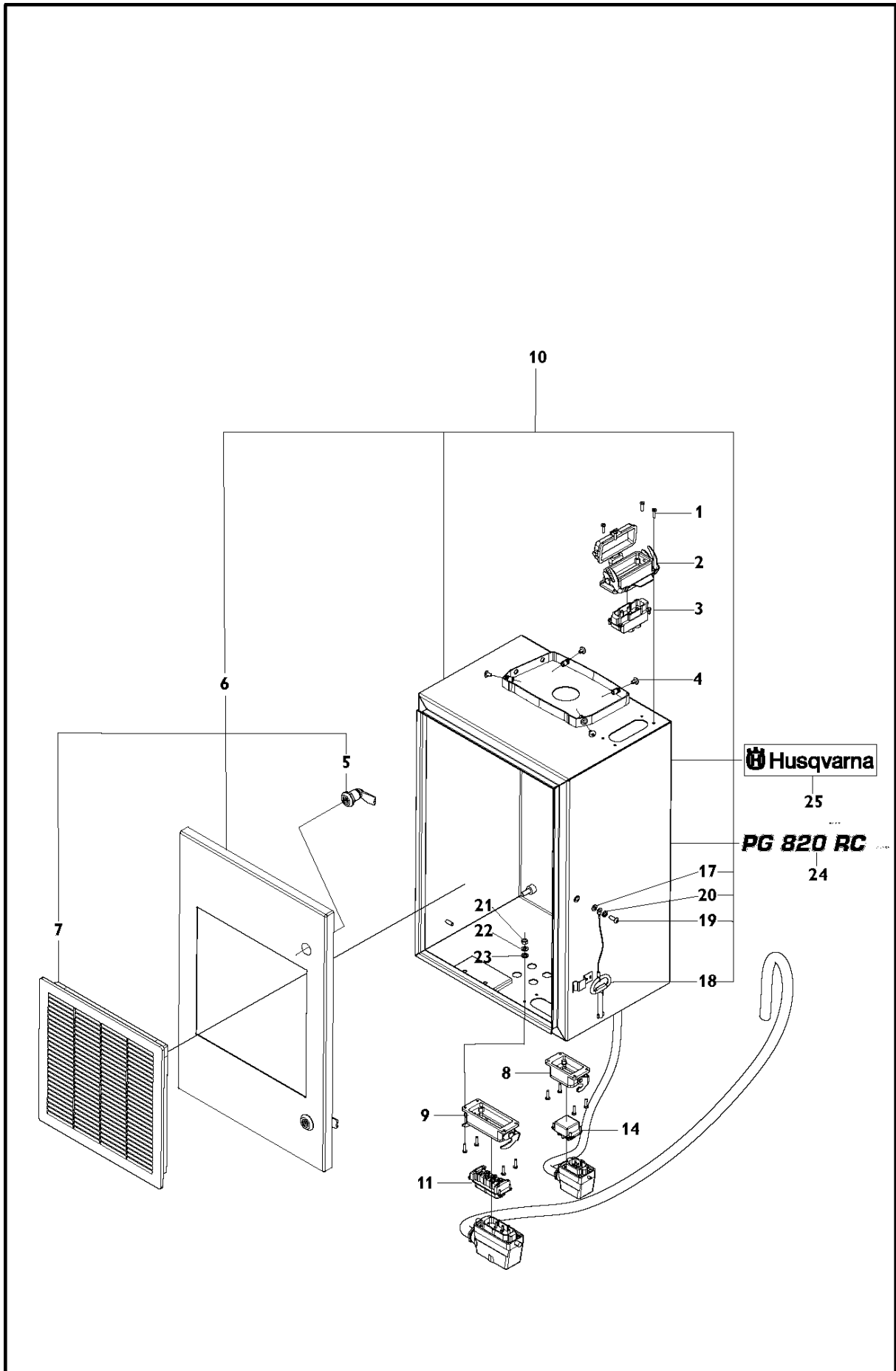
| Ref | Part No      | Description           | Remark | QTY | KIT |
|-----|--------------|-----------------------|--------|-----|-----|
| 1   | 587 07 21-01 | KNOB                  |        | 1   |     |
| 2   | 503 22 10-02 | HEXAGON NUT           |        | 2   |     |
| 3   | 587 20 71-01 | ADJUSTMENT SCREW      |        | 1   |     |
| 4   | 535 42 58-01 | SCREW IH PANM         |        | 4   |     |
| 5   | 734 11 52-01 | WASHER                |        | 4   |     |
| 6   | 587 22 31-01 | PROTECTION            |        | 4   |     |
| 7   | 725 52 89-01 | SCREW IHSCM           |        |     |     |
| 8   | 502 54 49-26 | HANDLEBAR             |        | 1   |     |
| 9   | 516 05 97-01 | SLEEVE                |        | 1   |     |
| 10  | 504 75 07-01 | SCREW                 |        | 1   |     |
| 11  | 504 75 06-01 | LOCK NUT              |        | 1   |     |
| 12  | 724 13 64-51 | SCREW CR PANM         |        | 1   |     |
| 13  | 502 54 49-27 | COMPRESSION SPRING    |        | 1   |     |
| 14  | 516 05 90-01 | HUB CAP               |        | 1   |     |
| 15  | 516 05 93-01 | PEN                   |        |     |     |
| 16  | 516 05 95-01 | ROD                   |        | 1   |     |
| 17  | 502 54 49-05 | BRACKET               |        | 1   |     |
| 18  | 502 54 49-23 | RUBBER COVER          |        | 1   |     |
| 19  | 725 24 55-76 | SCREW EHHM            |        | 1   |     |
| 20  | 587 06 00-01 | SHEET                 |        | 1   |     |
| 21  | 502 54 49-25 | HANDLEBAR             |        | 2   |     |
| 22  | 588 23 57-01 | HANDLEBAR             |        | 1   |     |
| 23  | 725 54 45-01 | SCREW IHSCM           |        | 2   |     |
| 24  | 732 25 12-01 | HEXAGON LOCKING NUT   |        | 4   |     |
| 25  | 502 54 49-22 | RUBBER COVER          |        | 2   | 22  |
| 26  | 543 04 60-41 | EMBOUT REF 320 GL 25/ |        | 2   | 22  |
| 27  | 502 54 49-02 | HANDLEBAR ASSY        |        | 1   |     |
| 28  | 725 24 89-76 | SCREW EHHM            |        | 2   |     |



## CONTROLS

PG 820RC, 2015-02

| Ref | Part No      | Description       | Remark | QTY | KIT |
|-----|--------------|-------------------|--------|-----|-----|
| 1   | 576 25 94-01 | TURNING KNOB ASSY |        | 2   | 11  |
| 2   | 586 99 01-01 | NUT               |        | 2   | 11  |
| 3   | 510 43 14-01 | CONTACT PLATE     |        | 1   |     |
| 4   | 576 26 16-01 | O-RING            |        | 2   | 11  |
| 5   | 585 59 27-01 | SWITCH            |        | 2   |     |
| 6   | 585 63 80-01 | SWITCH            |        | 1   |     |
| 7   | 504 75 20-01 | SCREW CRCSFT      |        | 4   |     |
| 8   | 587 27 88-01 | POTENTIOMETER     |        | 2   | 11  |
| 9   | 585 63 76-01 | HOLDER            |        | 3   |     |
| 10  | 720 11 90-00 | PARALLEL PIN      |        | 2   | 11  |
| 11  | 587 28 36-01 | SWITCH            |        | 2   |     |
| 12  | 586 71 87-01 | ELECTRONIC BOX    |        | 1   |     |
| 13  | 585 66 10-03 | BLOCK             |        | 1   |     |
| 14  | 587 10 12-01 | GROMMET           |        | 2   |     |
| 15  | 510 43 15-01 | CONTACT PLATE     |        | 6   |     |
| 16  | 504 75 89-02 | SCREW IHANM       |        | 4   |     |
| 17  | 587 25 91-01 | BUZZER            |        | 1   |     |
| 18  | 501 11 97-01 | LID               |        | 1   |     |
| 19  | 501 11 96-01 | CONTACT           |        | 1   |     |
| 20  | 585 58 18-03 | LAMP              |        | 1   |     |
| 21  | 586661004    | TBD               |        | 1   |     |
| 22  | 585 58 18-01 | LAMP              |        | 1   |     |
| 23  | 585 59 28-01 | SWITCH            |        | 1   |     |
| 24  | 586 72 17-01 | CONNECTOR         |        | 1   |     |
| 25  | 729 51 93-75 | SCREW CRPANT      |        | 2   |     |
| 26  | 587 18 95-01 | ANTENNA           |        | 1   |     |
| 27  | 582 11 42-01 | ELECTRIC BOX      |        | 1   |     |

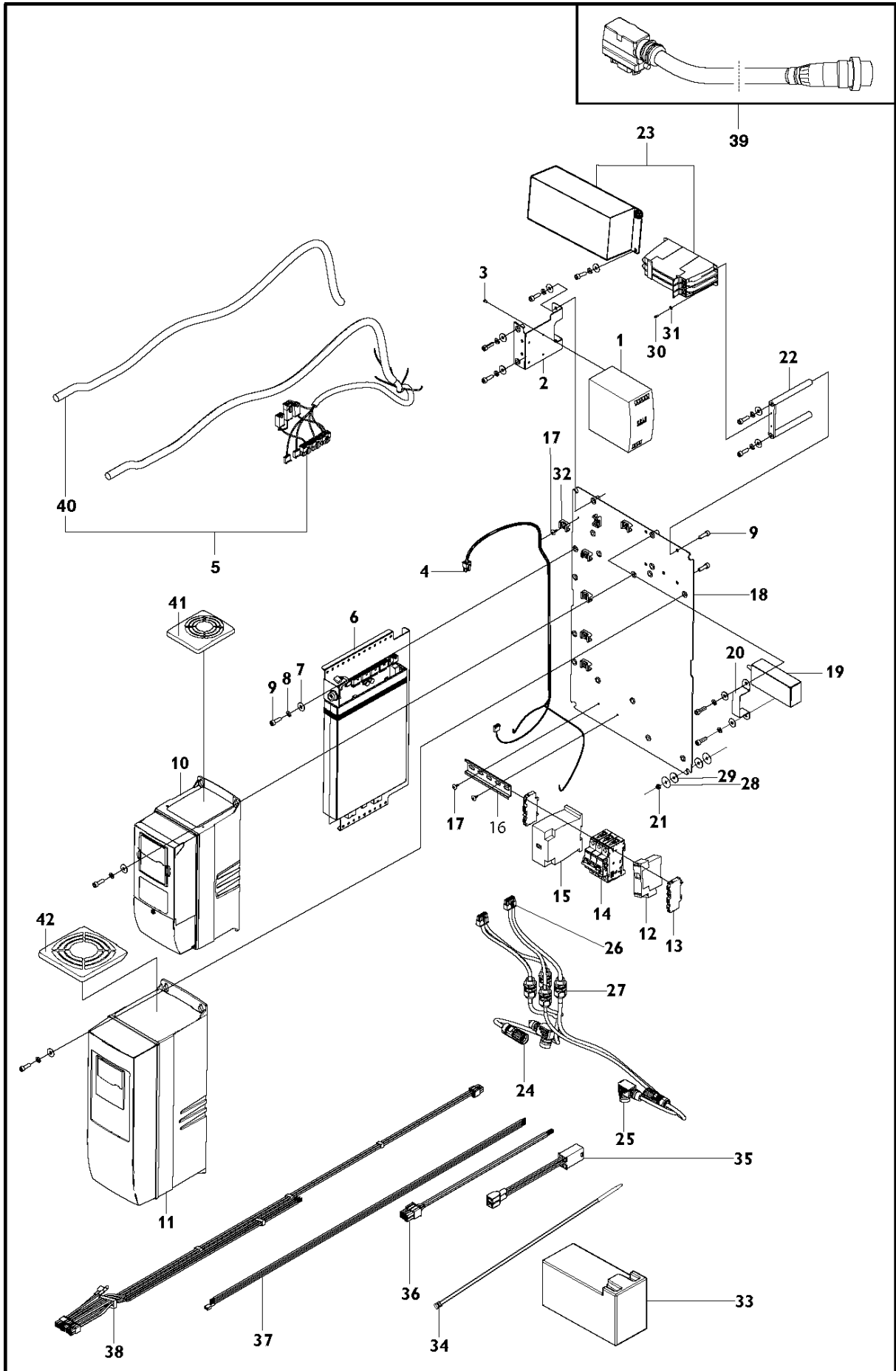




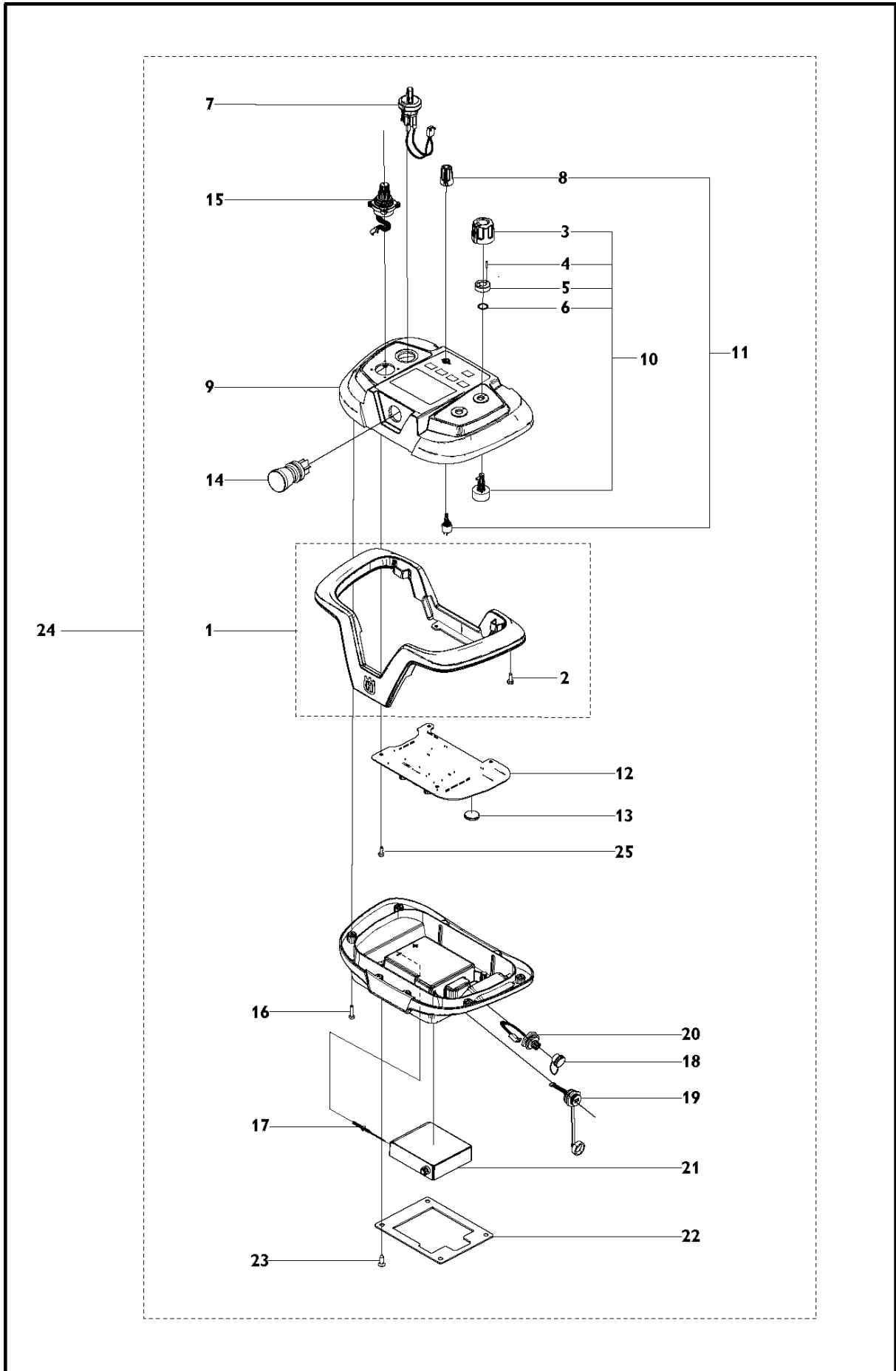
## ELECTRICAL

PG 820RC, 2015-02

| Ref | Part No      | Description         | Remark         | QTY | KIT   |
|-----|--------------|---------------------|----------------|-----|-------|
| 1   | 724 12 93-51 | SCREW CRPANM        |                | 12  |       |
| 2   | 516 06 06-02 | HOUSING             |                | 1   |       |
| 3   | 504 76 25-01 | CONNECTOR           |                | 1   |       |
| 4   | 504 75 89-02 | SCREW IHPANM        |                | 4   |       |
| 5   | 516 05 98-01 | LATCH               |                | 2   | 6, 10 |
| 6   | 574 44 10-01 | ELECTRIC BOX        |                | 1   | 6, 10 |
| 7   | 502 54 41-01 | VENT                |                | 1   | 6, 10 |
| 8   | 516 06 04-01 | HOUSING             |                | 1   |       |
| 9   | 516 06 06-01 | HOUSING             |                | 1   |       |
| 10  | 588 23 71-01 | ELECTRIC BOX        |                | 1   | KIT   |
| 10  | 588 23 71-02 | ELECTRIC BOX        |                |     | KIT   |
| 11  | 516 06 07-01 | CONNECTOR           | CONNECTOR      | 1   |       |
| 14  | 516 06 05-01 | CONNECTOR           | CONNECTOR      | 1   |       |
| 17  | 734 11 52-01 | WASHER              | WASHER         | 1   | 10    |
| 18  | 574 44 11-01 | KEY                 | KEY - KIT ASSY | 1   | 10    |
| 19  | 725 53 68-01 | SCREW IHSCM         | SCREW IHPANM   | 1   | 10    |
| 20  | 735 11 53-01 | WASHER              | WASHER         | 1   | 10    |
| 21  | 732 25 12-01 | HEXAGON LOCKING NUT | LOCK NUT       | 12  |       |
| 22  | 734 11 36-01 | WASHER              | WASHER         | 12  |       |
| 23  | 735 21 36-01 | LOCKWASHER          | LOCK WASHER    | 12  |       |
| 24  | 587 92 19-01 | DECAL               | DECAL          | 1   |       |
| 25  | 525 48 88-01 | DECAL               | DECAL          | 1   |       |



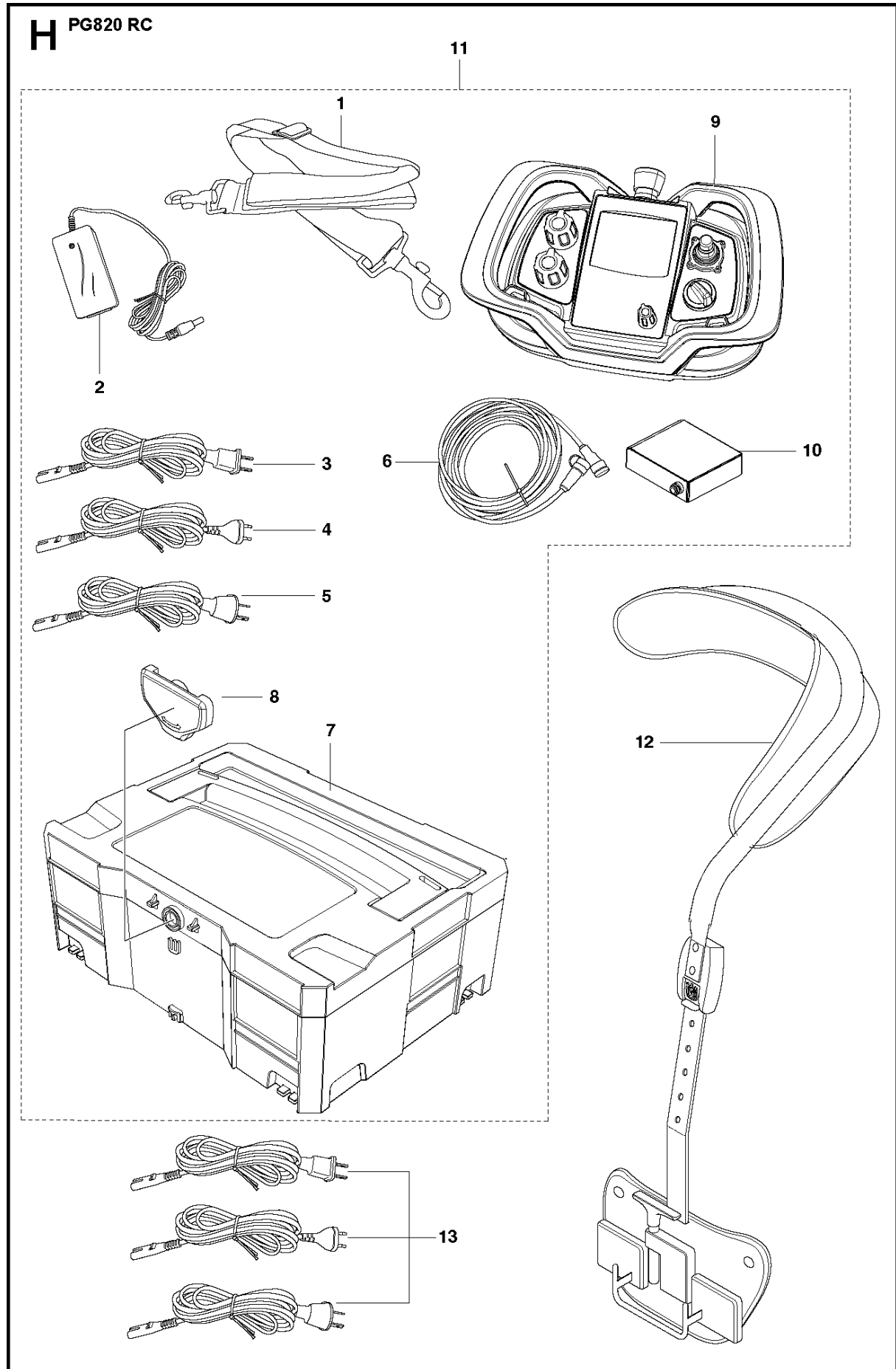
| Ref | Part No      | Description           | Remark                           | QTY KIT |
|-----|--------------|-----------------------|----------------------------------|---------|
| 1   | 505 52 74-01 | TRANSFORMER           |                                  | 1       |
| 2   | 586 81 29-01 | BRACKET               |                                  | 1       |
| 3   | 525 88 89-02 | SCREW CITXPANT        |                                  | 4       |
| 4   | 586 96 42-01 | HARNESS               |                                  | 1       |
| 5   | 586 72 61-01 | CABLE ASSY            |                                  | 1       |
| 6   | 586 81 28-01 | CIRCUIT BOARD         |                                  | 1       |
| 7   | 734 11 54-41 | WASHER                | WASHER (CE:22, UL:18)            |         |
| 8   | 735 11 53-01 | WASHER                | WASHER (CE:22, UL:18)            |         |
| 9   | 725 53 70-51 | SCREW IHSCM           | SCREW IHSCM (CE:22, UL:18)       |         |
| 10  | 502 54 26-03 | FREQUENCY INVERTER    |                                  | 1       |
| 11  | 502 54 25-03 | FREQUENCY INVERTER    |                                  | 1       |
| 12  | 522 86 92-01 | RELAY                 |                                  | 1       |
| 13  | 502 54 38-01 | TERMINAL BLOCK        |                                  | 2       |
| 14  | 587 07 30-01 | CIRCUIT BREAKER       |                                  | 1       |
| 15  | 502 54 36-01 | CONTACTOR             |                                  | 1       |
| 16  | 586 85 28-01 | RAIL                  |                                  | 1       |
| 17  | 521 88 64-02 | SCREW                 |                                  | 9       |
| 18  | 586 81 33-01 | PLATE                 |                                  | 1       |
| 19  | 586 71 97-01 | BATTERY CHARGER       |                                  | 1       |
| 20  | 586 81 30-01 | BRACKET               |                                  | 1       |
| 21  | 732 25 18-01 | HEXAGON LOCKING NUT   |                                  | 4       |
| 22  | 586 72 06-01 | BRACKET               |                                  | 1       |
| 23  | 586 84 88-01 | FILTER                |                                  | 1       |
| 24  | 586 87 57-01 | CABLE ASSY            |                                  | 2       |
| 25  | 586 87 58-01 | CABLE ASSY            |                                  | 2       |
| 26  | 586 71 88-01 | CONNECTOR             |                                  | 2       |
| 27  | 522 66 03-01 | GROMMET               |                                  | 4       |
| 28  | 521 88 67-01 | WASHER                |                                  | 8       |
| 29  | 516 06 01-01 | WASHER                |                                  | 8       |
| 30  | 725 52 87-01 | SCREW IHSCM           | SCREW IHSCM (CE:0, UL:4)         |         |
| 31  | 735 11 36-01 | SPRING WASHER 4.1X7.1 | WASHER (CE:0, UL:4)              |         |
| 32  | 525 57 02-01 | MOUNT                 |                                  | 7       |
| 33  | 587 06 87-01 | BATTERY               |                                  | 1       |
| 34  | 588 11 81-01 | TIE STRAP             |                                  | 2       |
| 35  | 586 87 76-01 | HARNESS               | WIRING HARNESS - BATTERY         | 1       |
| 36  | 586 87 78-01 | HARNESS               | WIRING HARNESS - CONTACTOR       | 1       |
| 37  | 586 87 84-01 | HARNESS               | WIRING HARNESS - PSU PRIMARY     | 1       |
| 38  | 586 96 41-01 | HARNESS               | WIRING HARNESS - POWER SECONDARY | 1       |
| 39  | 574 44 13-01 | PLUG                  | EU                               | 1       |
| 39  | 574 44 13-02 | PLUG                  | AU                               | 1       |
| 39  | 574 44 13-03 | PLUG                  | US                               | 1       |
| 39  | 574 44 13-04 | PLUG                  | JP, 220 V                        | 1       |
| 40  | 586 01 01-02 | WIRING PROTECTION     |                                  | 1       |



REMOTE CONTROL

PG 820RC, 2015-02

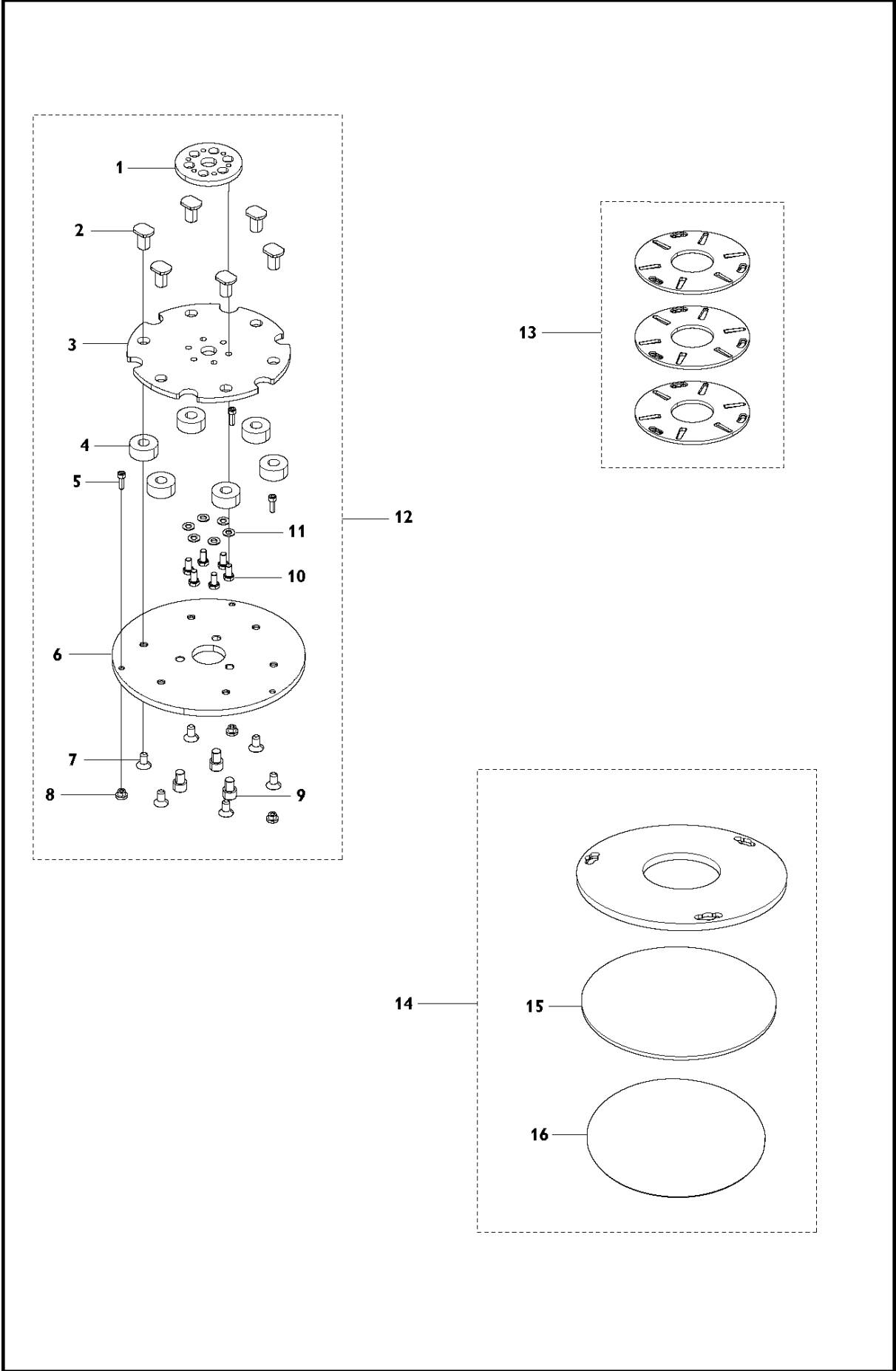
| Ref | Part No      | Description          | Remark | QTY KIT |    |
|-----|--------------|----------------------|--------|---------|----|
| 1   | 576 25 34-01 | HANDLE ASSY          |        | 1       |    |
| 2   | 578 77 61-01 | SCREW ITXPANT        |        | 4       | 1  |
| 3   | 576 25 94-01 | TURNING KNOB ASSY    |        | 2       | 10 |
| 4   | 720 11 90-00 | PARALLEL PIN         |        | 2       | 10 |
| 5   | 576 26 14-01 | NUT                  |        | 2       | 10 |
| 6   | 576 26 16-01 | O-RING               |        | 2       | 10 |
| 7   | 587 12 92-01 | KNOB                 |        | 1       |    |
| 8   | 577 73 55-01 | KNOB                 |        | 1       |    |
| 9   | 587 07 29-01 | DISPLAY              |        | 1       |    |
| 10  | 577 70 95-01 | CONTROL              |        | 2       |    |
| 11  | 577 70 94-01 | CONTROL              |        | 1       |    |
| 12  | 587 71 61-01 | PRINTED CIRCUIT ASSY |        | 1       |    |
| 13  | 577 76 37-01 | BATTERY              |        | 1       |    |
| 14  | 576 81 51-01 | SWITCH               |        | 1       |    |
| 15  | 587 01 16-01 | JOYSTICK             |        | 1       |    |
| 16  | 578 77 61-02 | SCREW ITXPANT        |        | 8       |    |
| 17  | 577 71 10-01 | SPRING PIN           |        | 2       |    |
| 18  | 585 47 86-01 | RUBBER PLUG          |        | 1       |    |
| 19  | 586 14 66-02 | CONTACT              |        | 1       |    |
| 20  | 576 87 78-02 | CONTACT              |        | 1       |    |
| 21  | 510 10 91-01 | BATTERY              |        | 1       |    |
| 22  | 510 10 85-01 | PLATE                |        | 1       |    |
| 23  | 729 52 55-75 | SCREW CRPANT         |        | 4       |    |
| 25  | 729 52 55-75 | SCREW CRPANT         |        | 1       |    |
| 24  | 576 25 92-01 | REMOTE CONTROL       |        | 1       |    |



REMOTE CONTROL ACCESSORIES

PG 820RC, 2015-02

| Ref | Part No      | Description    | Remark                  | QTY | KIT |
|-----|--------------|----------------|-------------------------|-----|-----|
| 1   | 506 29 76-02 | STRAP          |                         | 1   | 11  |
| 2   | 510 28 50-03 | CHARGER        |                         | 1   | 11  |
| 3   | 510 28 07-02 | CABLE          | CABLE US, 2 M           | 1   | 11  |
| 4   | 510 28 07-01 | CABLE          | CABLE EU, 2 M           | 1   | 11  |
| 5   | 510 28 07-04 | CABLE          | CABLE AU, 2 M           | 1   | 11  |
| 6   | 577 05 99-02 | CABLE ASSY     | CABLE ASSY              | 1   | 11  |
| 7   | 587 18 97-01 | BOX            |                         | 1   | 11  |
| 8   | 582 82 02-01 | LOCK           |                         | 1   | 11  |
| 9   | 576 25 92-01 | REMOTE CONTROL |                         | 1   | 11  |
| 10  | 510 10 91-01 | BATTERY        |                         | 1   | 11  |
| 11  | 587 25 88-01 | CONTROL UNIT   |                         | 1   |     |
| 12  | 510 28 00-01 | HARNESS        |                         | 1   |     |
| 13  | 587 06 94-01 | CABLE          | CABLE MACHINE EU, 4 M   | 1   |     |
| 13  | 587 06 94-02 | CABLE          | CABLE MACHINE US, 4 M   | 1   |     |
| 13  | 587 06 94-03 | CABLE          | CABLE MACHINE AU, 1,8 M | 1   |     |

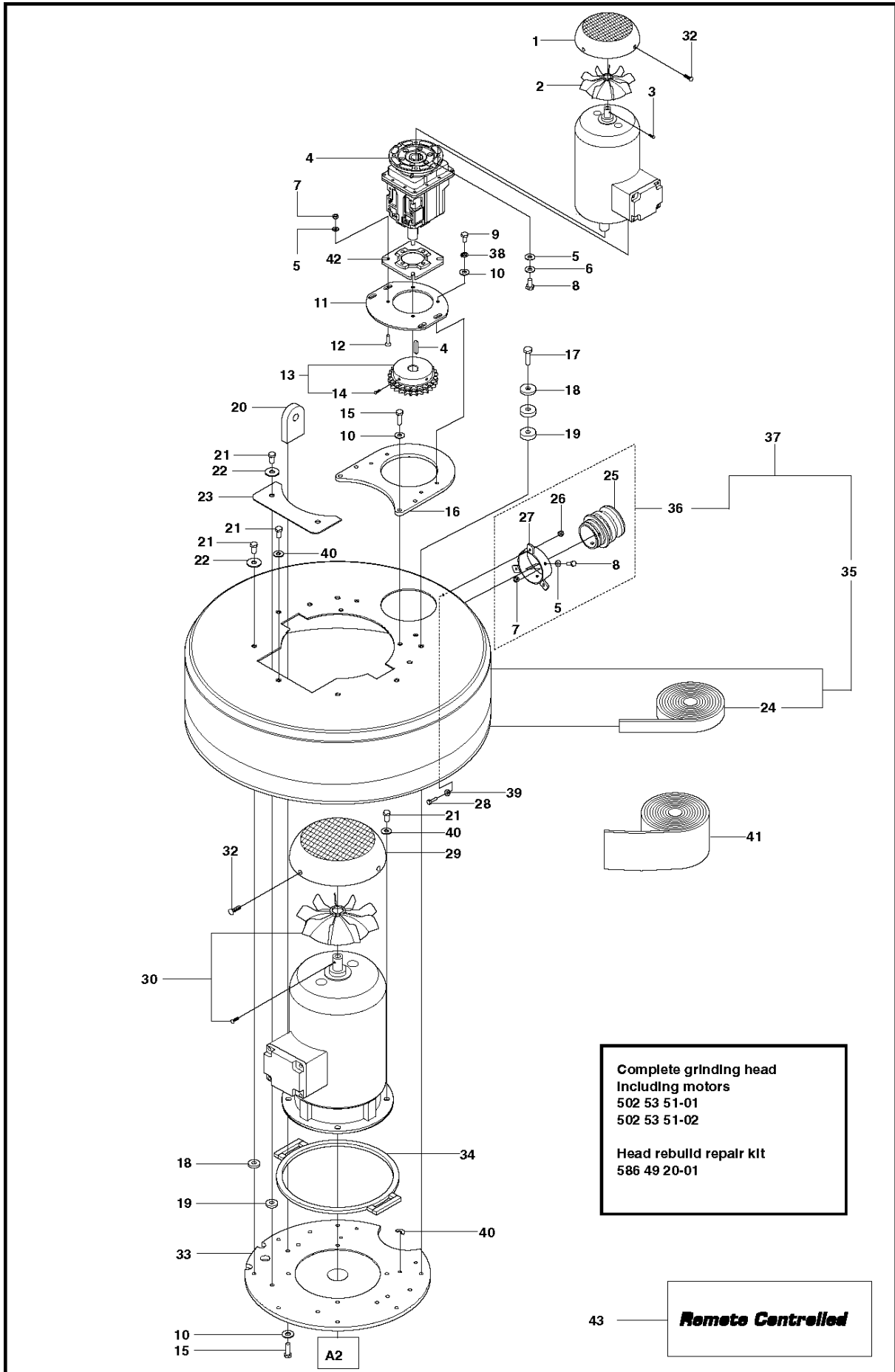




## GRINDING HEAD

PG 820RC, 2015-02

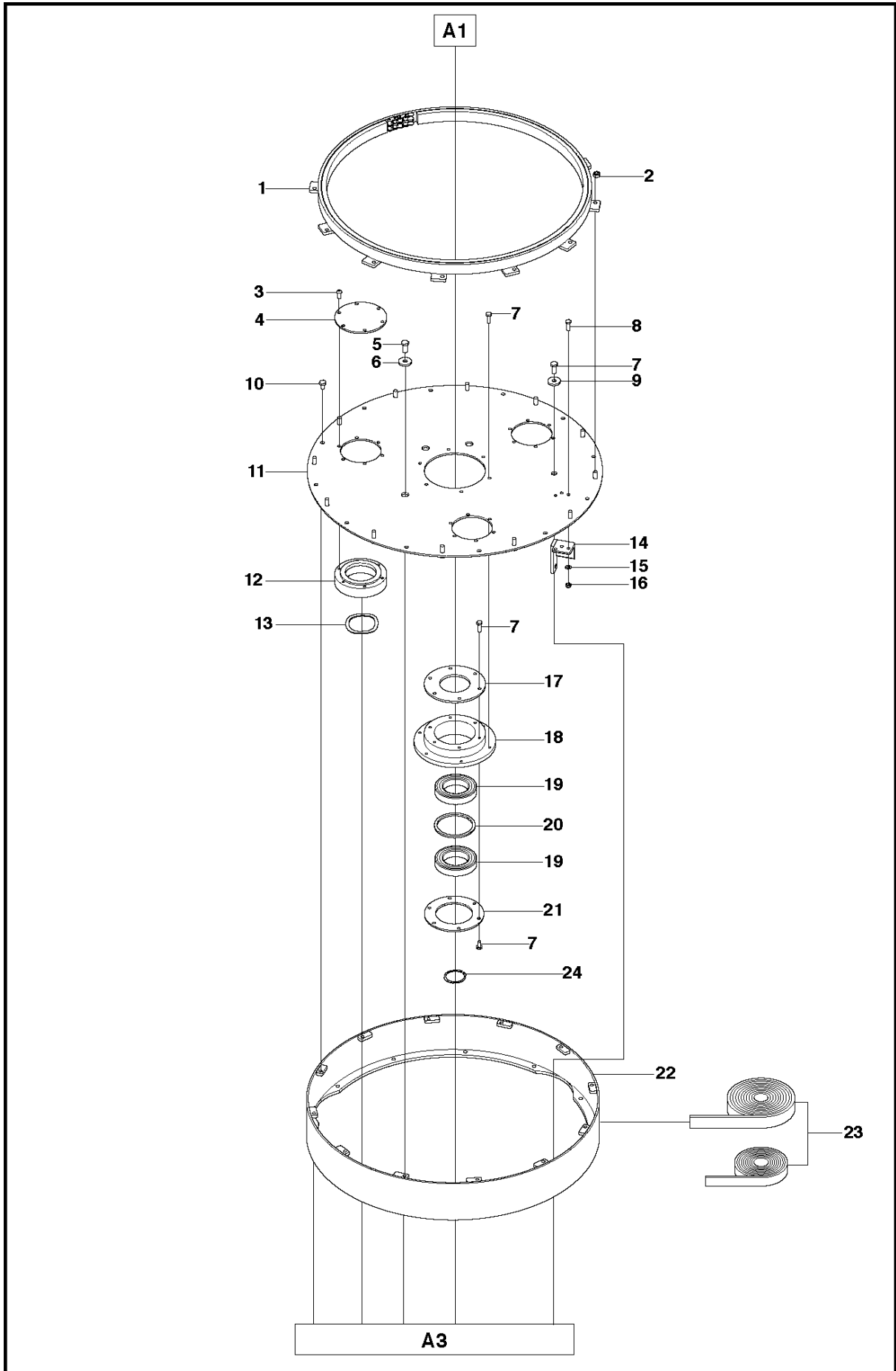
| Ref | Part No      | Description   | Remark       | QTY | KIT |
|-----|--------------|---------------|--------------|-----|-----|
| 1   | 502 53 40-06 | HUB           |              | 1   | 1   |
| 2   | 522 65 98-03 | PEN           |              | 6   | 1   |
| 3   | 575 74 54-01 | PLATE         |              | 1   | 1   |
| 4   | 502 53 39-01 | WASHER        |              | 6   | 1   |
| 5   | 725 53 70-51 | SCREW IHSCM   |              | 3   | 1   |
| 6   | 575 74 51-01 | PLATE         |              | 1   | 1   |
| 7   | 725 64 91-51 | SCREW IHCSFM  |              | 3   | 1   |
| 8   | 502 53 44-01 | LOCK          |              | 3   | 1   |
| 9   | 504 74 84-01 | SCREW IHSCM   |              | 3   | 1   |
| 10  | 725 24 49-76 | SCREW EHHM    |              | 6   | 1   |
| 11  | 734 11 63-01 | WASHER        |              | 6   | 1   |
| 12  | 502 53 38-01 | GRINDING HEAD |              | 1   |     |
| 13  | 502 53 22-01 | HOLDER        | 1 in package | 3   |     |
| 14  | 587 15 49-01 | DISC          | 1 in package | 3   |     |
| 15  | 502 53 19-01 | HOLDER        | 1 in package | 3   | 14  |
| 16  | 587 15 47-01 | DISC          | 1 in package | 3   | 14  |



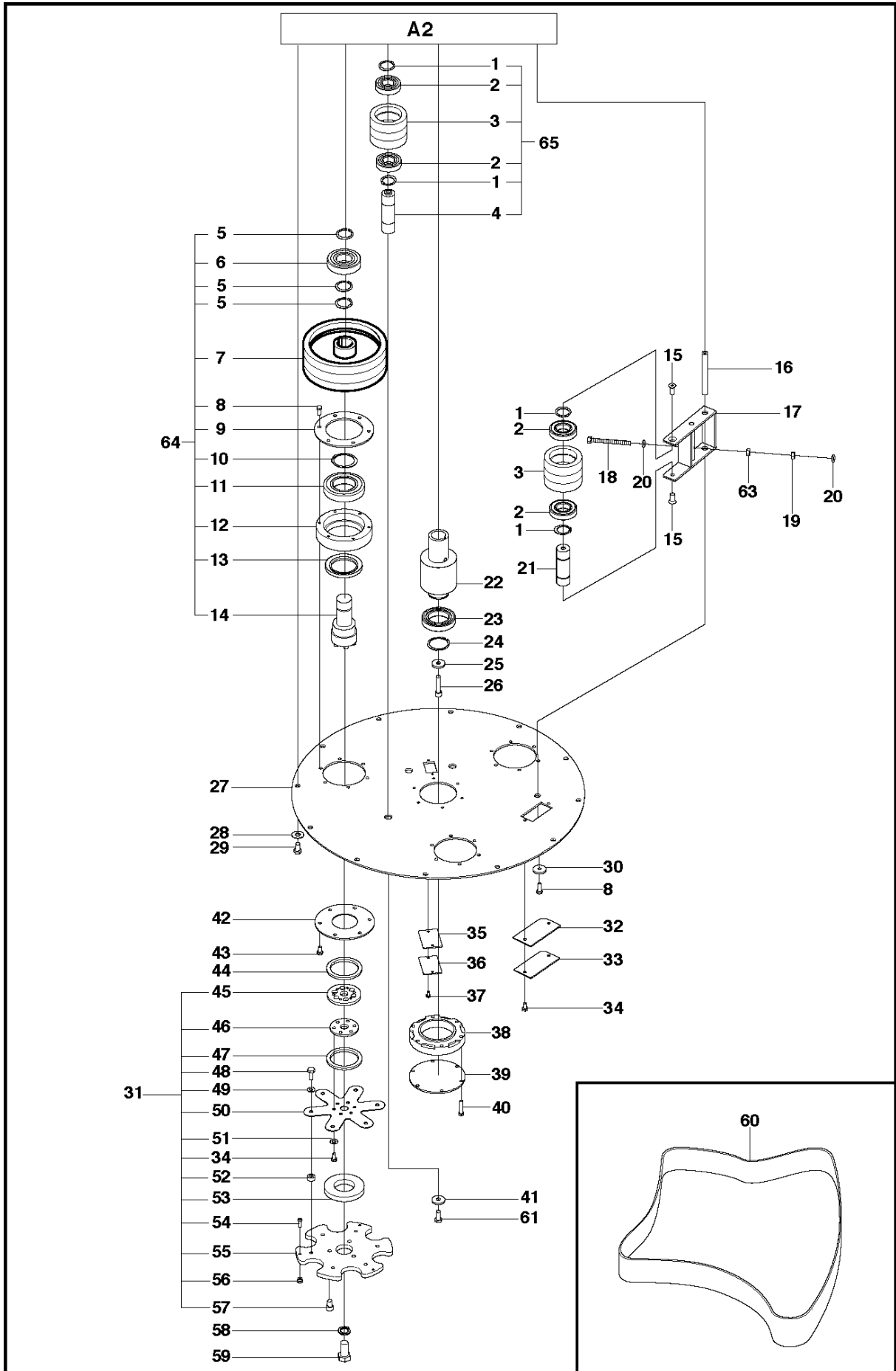
## GRINDER

PG 820RC, 2015-02

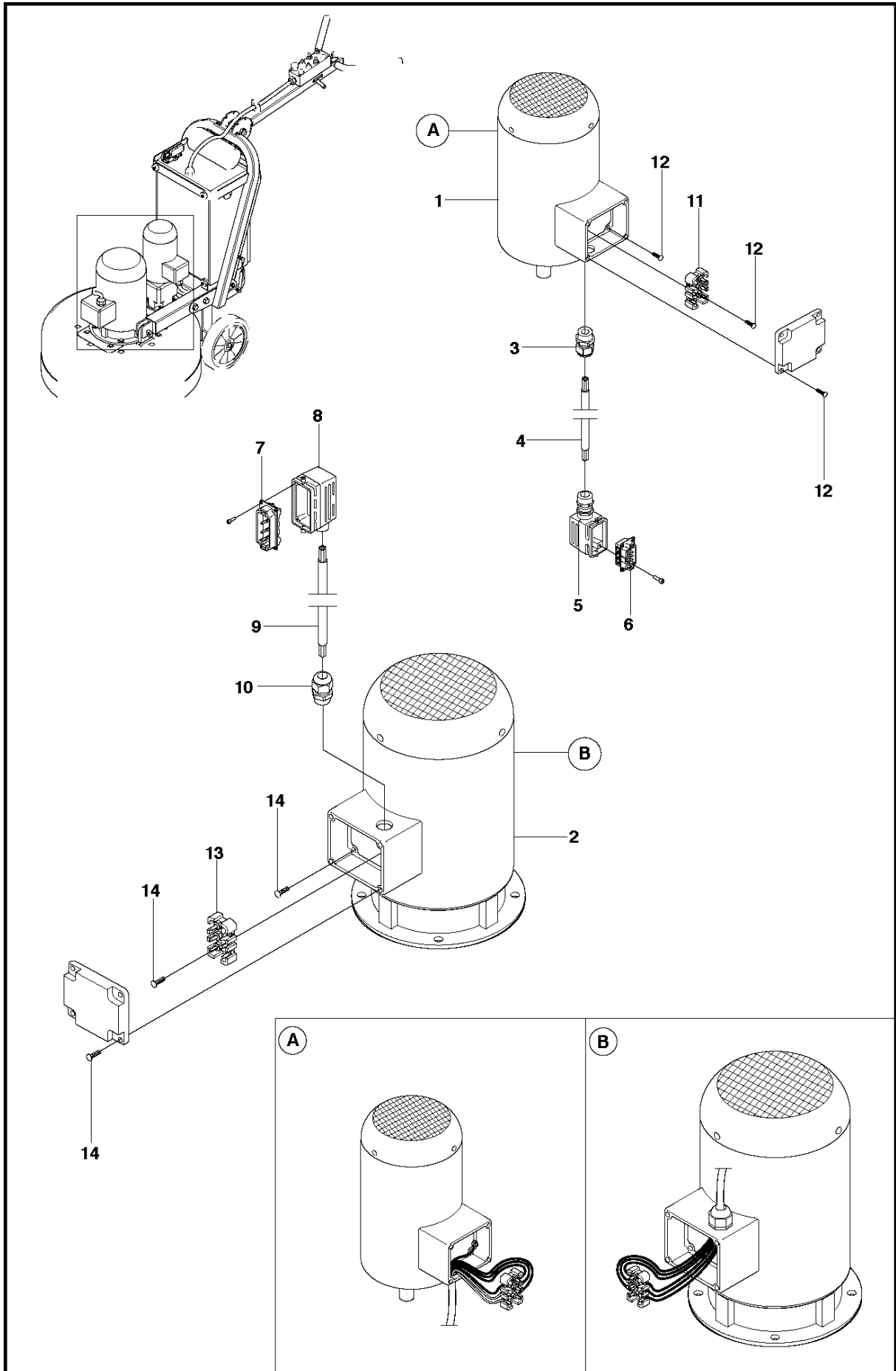
| Ref | Part No      | Description         | Remark | QTY | KIT |
|-----|--------------|---------------------|--------|-----|-----|
| 1   | 516 05 68-01 | COVER               |        | 1   |     |
| 2   | 516 05 70-01 | FAN                 |        | 1   |     |
| 3   | 516 05 71-01 | PEN                 |        | 1   |     |
| 4   | 580 99 98-01 | GEARBOX ASSY        |        | 1   |     |
| 5   | 734 11 63-01 | WASHER              |        | 10  | 36  |
| 6   | 735 11 64-01 | SPRING WASHER       |        | 4   |     |
| 7   | 732 25 18-01 | HEXAGON LOCKING NUT |        | 6   | 36  |
| 8   | 725 24 53-76 | SCREW EHHM          |        | 6   | 36  |
| 9   | 725 24 91-76 | SCREW EHHM          |        | 4   |     |
| 10  | 734 11 72-01 | WASHER              |        | 12  |     |
| 11  | 586 96 48-01 | PLATE               |        | 1   |     |
| 12  | 725 64 53-51 | SCREW IHCSFM        |        | 4   |     |
| 13  | 502 54 24-01 | DRIVE SPROCKET      |        | 1   |     |
| 14  | 728 54 53-05 | SCREW IHSETM        |        | 2   | 13  |
| 15  | 725 24 97-71 | SCREW EHHM          |        | 6   |     |
| 16  | 586 96 50-01 | BRACKET             |        | 1   |     |
| 17  | 725 25 02-51 | SCREW EHHM          |        | 2   |     |
| 18  | 504 72 63-04 | WASHER              |        | 11  |     |
| 19  | 504 72 63-03 | WASHER              |        | 4   |     |
| 20  | 504 72 90-01 | LIFTING LUG         |        | 2   |     |
| 21  | 725 25 34-71 | SCREW EHHM          |        | 13  |     |
| 22  | 734 11 78-01 | WASHER              |        | 5   |     |
| 23  | 504 72 93-01 | COVER PLATE         |        | 1   |     |
| 24  | 504 74 76-01 | STRIP               |        | 2   |     |
| 25  | 502 56 96-03 | COUPLING            |        | 1   | 36  |
| 26  | 732 25 16-01 | HEXAGON LOCKING NUT |        | 3   | 36  |
| 27  | 522 44 83-01 | BRACKET             |        | 1   | 36  |
| 28  | 524337051    | TBD                 |        | 3   |     |
| 29  | 516 05 72-01 | COVER               |        | 1   |     |
| 30  | 516 05 73-01 | FAN                 |        | 1   |     |
| 32  | 723 13 20-51 | SCREW SLCHM         |        | 7   |     |
| 33  | 502 53 76-01 | PLATE               |        | 1   |     |
| 34  | 516 05 78-02 | SEAL                |        | 1   |     |
| 35  | 502 53 84-01 | COVER               |        | 1   | 37  |
| 36  | 522 44 82-01 | PORT                |        | 1   | 37  |
| 37  | 516 05 79-01 | COVER               |        | 1   |     |
| 38  | 735 11 73-01 | SPRING WASHER       |        | 4   |     |
| 39  | 504 74 83-01 | WASHER              |        | 8   |     |
| 40  | 521 88 67-01 | WASHER              |        | 2   |     |
| 41  | 590 49 92-03 | RUBBER SKIRT        |        | 1   |     |
| 42  | 587 04 09-01 | MOUNTING PLATE      |        | 1   |     |
| 43  | 587 99 21-01 | DECAL               |        | 1   |     |



| Ref | Part No      | Description         | Remark | QTY KIT |
|-----|--------------|---------------------|--------|---------|
| 1   | 502 53 86-01 | CHAIN               |        | 1       |
| 2   | 732 25 20-01 | HEXAGON LOCKING NUT |        | 12      |
| 3   | 504 75 02-01 | SCREW IHPANM        |        | 18      |
| 4   | 502 53 79-01 | COVER PLATE         |        | 3       |
| 5   | 725 25 34-71 | SCREW EHHM          |        | 3       |
| 6   | 504 72 95-01 | WASHER              |        | 3       |
| 7   | 725 24 51-76 | SCREW EHHM          |        | 19      |
| 8   | 725 24 53-76 | SCREW EHHM          |        | 3       |
| 9   | 543 04 66-47 | WASHER              |        | 1       |
| 10  | 725 24 89-76 | SCREW EHHM          |        | 12      |
| 11  | 502 53 74-01 | TOP PLATE           |        | 1       |
| 12  | 502 53 71-01 | BEARING HOUSING     |        | 3       |
| 13  | 502 53 99-01 | WAVE WASHER         |        | 3       |
| 14  | 504 72 99-01 | STRUT               |        | 1       |
| 15  | 734 11 63-01 | WASHER              |        | 3       |
| 16  | 732 21 18-01 | LOCK NUT            |        | 3       |
| 17  | 504 72 82-01 | PLATE               |        | 1       |
| 18  | 502 53 72-01 | BEARING HOUSING     |        | 1       |
| 19  | 502 53 89-01 | BALL BEARING        |        | 2       |
| 20  | 504 72 88-01 | SPACER              |        | 1       |
| 21  | 504 72 81-01 | PLATE               |        | 1       |
| 22  | 502 53 83-01 | RIM                 |        | 1       |
| 23  | 582 31 86-01 | SEAL KIT            |        | 1       |
| 24  | 502 53 90-01 | CIRCLIP             |        | 1       |



| Ref | Part No      | Description         | Remark | QTY | KIT |
|-----|--------------|---------------------|--------|-----|-----|
| 1   | 735 31 33-00 | CIRCLIP             |        | 8   |     |
| 2   | 502 53 91-01 | BALL BEARING        |        | 8   |     |
| 3   | 502 53 68-01 | PULLEY              |        | 4   |     |
| 4   | 502 53 67-01 | SHAFT               |        | 3   |     |
| 5   | 735 31 37-00 | CIRCLIP             |        | 9   |     |
| 6   | 502 53 93-01 | BALL BEARING        |        | 3   |     |
| 7   | 502 53 64-01 | PULLEY              |        | 3   |     |
| 8   | 725 24 51-76 | SCREW EHHM          |        | 19  |     |
| 9   | 502 53 77-01 | PLATE               |        | 3   |     |
| 10  | 502 53 96-01 | CIRCLIP             |        | 3   |     |
| 11  | 502 53 95-01 | BALL BEARING        |        | 3   |     |
| 12  | 502 53 70-01 | BEARING HOUSING     |        | 3   |     |
| 13  | 502 53 97-01 | RADIAL SEAL         |        | 3   |     |
| 14  | 502 53 66-01 | PULLEY              |        | 3   |     |
| 15  | 725 64 93-51 | SCREW IHCSFM        |        | 2   |     |
| 16  | 516 05 81-01 | SHAFT               |        | 1   |     |
| 17  | 502 53 82-01 | FRAME               |        | 1   |     |
| 18  | 725 25 15-71 | SCREW EHHM          |        | 1   |     |
| 19  | 731 23 20-01 | HEXAGON NUT         |        | 1   |     |
| 20  | 734 11 72-01 | WASHER              |        | 2   |     |
| 21  | 502 53 69-01 | SHAFT               |        | 1   |     |
| 22  | 502 53 65-01 | PULLEY              |        | 1   |     |
| 23  | 502 53 87-01 | BALL BEARING        |        | 1   |     |
| 24  | 502 53 88-01 | CIRCLIP             |        | 1   |     |
| 25  | 504 72 63-03 | WASHER              |        | 1   |     |
| 26  | 504 74 88-01 | SCREW IHSCM         |        | 1   |     |
| 27  | 502 53 75-01 | BOTTOM PLATE        |        | 1   |     |
| 28  | 734 11 78-01 | WASHER              |        | 12  |     |
| 29  | 725 25 32-71 | SCREW EHHM          |        | 12  |     |
| 30  | 543 04 66-47 | WASHER              |        | 1   |     |
| 31  | 502 53 40-01 | SPRING              |        | 3   |     |
| 32  | 516 05 84-01 | SEAL                |        | 1   |     |
| 33  | 504 72 78-01 | COVER PLATE         |        | 1   |     |
| 34  | 503 20 00-45 | SCREW EHHFM         |        | 20  |     |
| 35  | 516 05 85-01 | SEAL                |        | 1   |     |
| 36  | 504 72 79-01 | COVER PLATE         |        | 1   |     |
| 37  | 725 23 66-71 | SCREW EHHM          |        | 2   |     |
| 38  | 502 53 73-01 | BEARING HOUSING     |        | 1   |     |
| 39  | 502 53 78-01 | COVER PLATE         |        | 1   |     |
| 40  | 725 24 60-81 | SCREW EHHM          |        | 6   |     |
| 41  | 504 72 95-01 | WASHER              |        | 3   |     |
| 42  | 504 72 80-01 | COVER PLATE         |        | 3   |     |
| 43  | 725 24 53-76 | SCREW EHHM          |        | 18  |     |
| 44  | 502 53 98-01 | SEAL                |        | 3   |     |
| 45  | 502 53 40-06 | HUB                 |        | 3   | 31  |
| 46  | 502 53 40-04 | SPACER PLATE        |        | 3   | 31  |
| 47  | 502 53 40-05 | RUBBER RING         |        | 3   | 31  |
| 48  | 725 24 93-76 | SCREW EHHM          |        | 18  | 31  |
| 49  | 734 11 72-01 | WASHER              |        | 18  | 31  |
| 50  | 502 53 42-01 | SPRING              |        | 3   | 31  |
| 51  | 734 11 63-01 | WASHER              |        | 18  | 31  |
| 52  | 502 53 40-14 | SPACER              |        | 18  | 31  |
| 53  | 502 53 43-01 | RING                |        | 3   | 31  |
| 54  | 725 53 70-51 | SCREW IHSCM         |        | 9   | 31  |
| 55  | 502 53 40-02 | PLATE               |        | 3   | 31  |
| 56  | 502 53 44-01 | LOCK                |        | 9   | 31  |
| 57  | 504 74 84-01 | SCREW IHSCM         |        | 9   | 31  |
| 58  | 504 74 96-03 | LOCKWASHER          |        | 3   |     |
| 59  | 504 74 89-01 | SCREW EHHM          |        | 3   |     |
| 60  | 502 54 23-01 | DRIVE CABLE         |        | 1   |     |
| 61  | 725 25 34-71 | SCREW EHHM          |        | 3   |     |
| 63  | 732 25 20-01 | HEXAGON LOCKING NUT |        | 1   |     |
| 64  | 576 95 08-01 | PULLEY              |        | 1   |     |

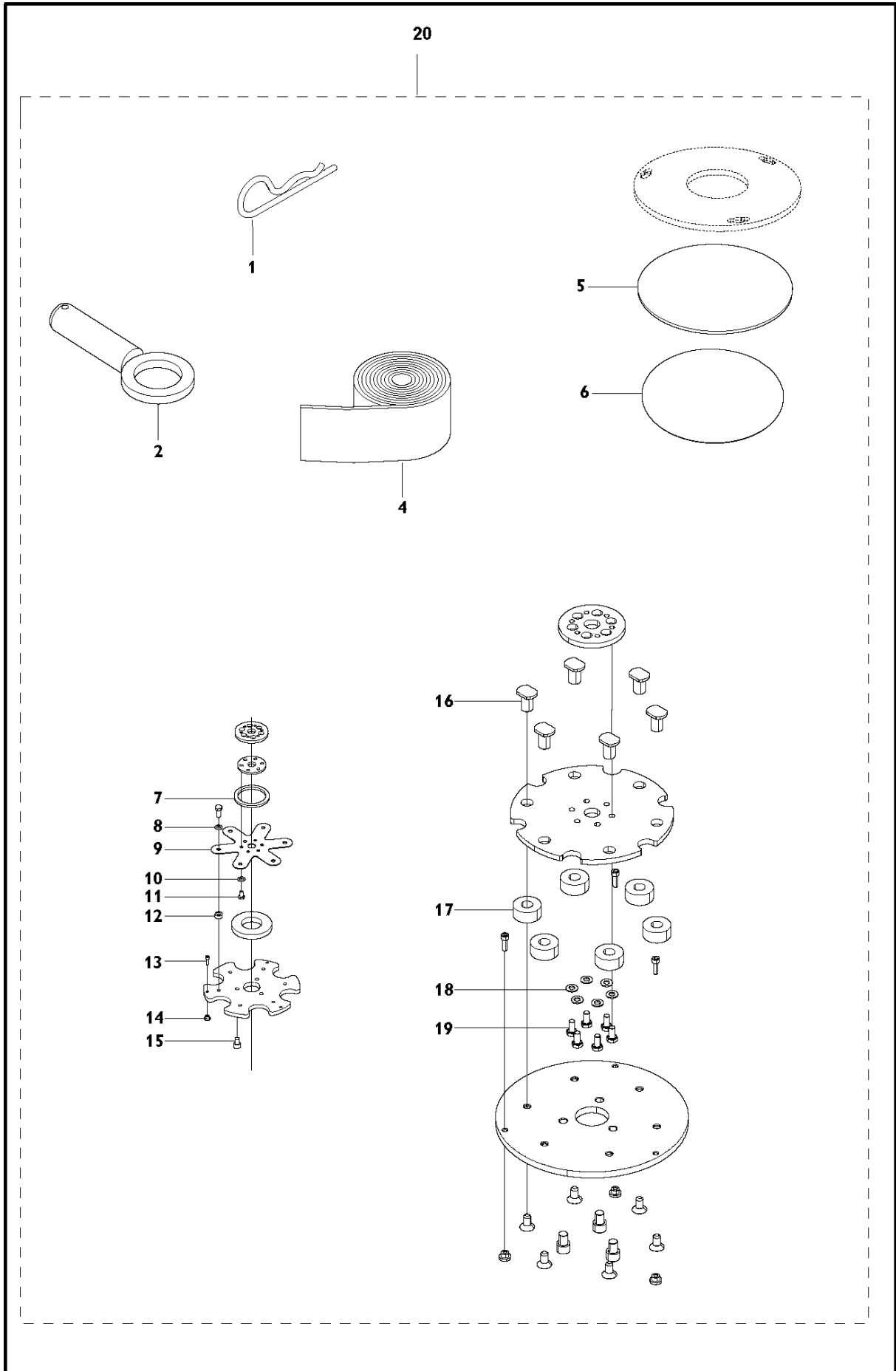




## ELECTRICAL

PG 820RC, 2015-02

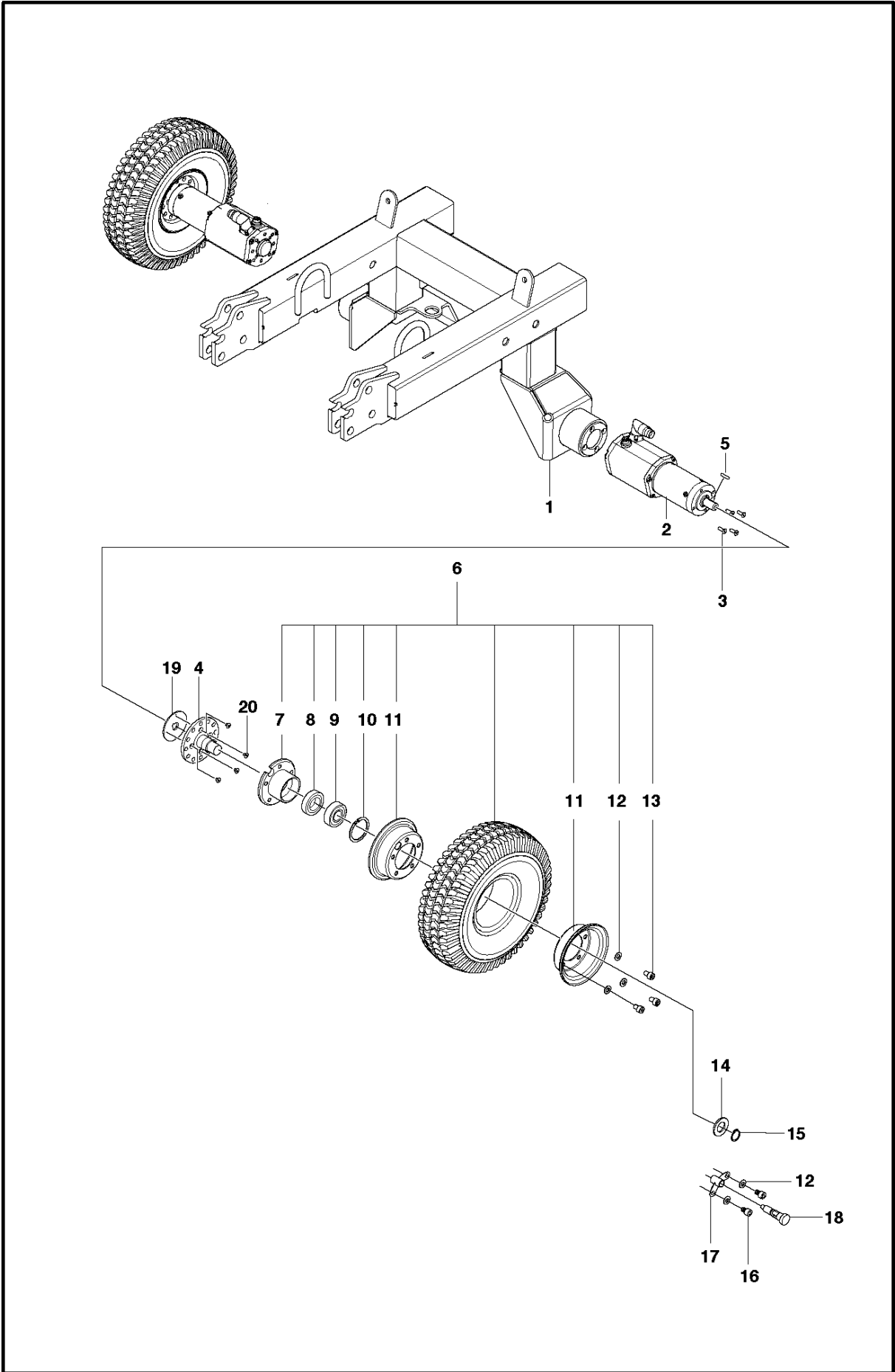
| Ref | Part No      | Description    | Remark    | QTY KIT |
|-----|--------------|----------------|-----------|---------|
| 1   | 502 53 57-01 | ELECTRIC BOX   |           | 1       |
| 1   | 576 93 32-01 | MOTOR          | JP, 220 V | 1       |
| 2   | 502 53 52-01 | ELECTRIC BOX   |           | 1       |
| 2   | 580 68 69-01 | MOTOR          | JP, 220 V | 1       |
| 3   | 516 06 12-01 | GROMMET        |           | 1       |
| 4   | 504 74 03-01 | POWER CABLE    |           | 1       |
| 4   | 504 74 03-02 | POWER CABLE    | US        | 1       |
| 5   | 516 06 13-01 | HOOD           |           | 1       |
| 6   | 516 06 14-01 | CONNECTOR      |           | 1       |
| 7   | 516 06 15-01 | CONNECTOR      |           | 1       |
| 7   | 504 76 25-01 | CONNECTOR      | JP, 220 V | 1       |
| 8   | 516 06 16-01 | HOOD           |           | 1       |
| 9   | 516 06 17-01 | CABLE          |           | 1       |
| 9   | 516 06 17-02 | CABLE          | US        | 1       |
| 9   | 577 20 67-01 | CABLE          | JP, 220 V | 1       |
| 10  | 516 06 18-01 | GROMMET        |           | 1       |
| 10  | 502 54 39-01 | GROMMET        | JP, 220 V | 1       |
| 11  | 516 06 19-01 | TERMINAL BLOCK |           | 1       |
| 12  | 723 13 27-01 | SCREW SLCHM    |           | 9       |
| 13  | 516 06 20-01 | TERMINAL BLOCK |           | 1       |
| 14  | 724 13 68-51 | SCREW CRPANM   |           | 9       |



## ON SITE PARTS

PG 820RC, 2015-02

| Ref | Part No      | Description   | Remark            | QTY | KIT |
|-----|--------------|---------------|-------------------|-----|-----|
| 1   | 721 68 02-51 | SPRING COTTER |                   | 2   | 20  |
| 2   | 504 72 97-01 | PEN           |                   | 2   | 20  |
| 4   | 590 49 92-03 | RUBBER SKIRT  |                   | 1   | 20  |
| 5   | 502 53 19-01 | HOLDER        |                   | 3   | 20  |
| 6   | 587 15 47-01 | DISC          |                   | 3   | 20  |
| 7   | 502 53 40-05 | RUBBER RING   |                   | 3   | 20  |
| 8   | 734 11 72-01 | WASHER        |                   | 6   | 20  |
| 9   | 502 53 42-01 | SPRING        |                   | 3   | 20  |
| 10  | 734 11 63-01 | WASHER        |                   | 6   | 20  |
| 11  | 503 20 00-45 | SCREW EHHFM   |                   | 6   | 20  |
| 12  | 502 53 40-14 | SPACER        |                   | 6   | 20  |
| 13  | 725 53 70-51 | SCREW IHSCM   |                   | 6   | 20  |
| 14  | 502 53 44-01 | LOCK          |                   | 6   | 20  |
| 15  | 504 74 84-01 | SCREW IHSCM   |                   | 6   | 20  |
| 16  | 522 65 98-03 | PEN           |                   | 6   | 20  |
| 17  | 502 53 39-01 | WASHER        |                   | 6   | 20  |
| 18  | 734 11 63-01 | WASHER        |                   | 6   | 20  |
| 19  | 503 20 00-45 | SCREW EHHFM   |                   | 6   | 20  |
| 20  | 588 46 63-01 | KIT           | On site parts kit | 1   |     |



## WHEELS &amp; TIRES

PG 820RC, 2015-02

| Ref | Part No      | Description  | Remark | QTY | KIT |
|-----|--------------|--------------|--------|-----|-----|
| 1   | 586 71 69-01 | CHASSIS      |        | 1   |     |
| 2   | 586 73 23-01 | GEARBOX ASSY |        | 2   |     |
| 3   | 589 03 16-01 | SCREW        |        | 8   |     |
| 4   | 589 75 68-01 | AXLE         |        | 2   |     |
| 5   | 590 26 20-01 | KEY          |        | 1   |     |
| 6   | 586 73 27-01 | WHEEL        |        | 2   |     |
| 7   | 586 73 40-01 | RING         |        | 2   | 6   |
| 8   | 738 21 05-04 | BALL BEARING |        | 2   | 6   |
| 9   | 738 22 04-19 | BALL BEARING |        | 2   | 6   |
| 10  | 735 31 22-00 | CIRCLIP      |        | 2   | 6   |
| 11  | 586 73 38-01 | CLAMP        |        | 4   | 6   |
| 12  | 734 11 63-01 | WASHER       |        | 10  | 6   |
| 13  | 725 54 47-01 | SCREW IHSCM  |        | 6   | 6   |
| 14  | 590 00 58-01 | WASHER       |        | 1   |     |
| 15  | 735 31 22-00 | CIRCLIP      |        | 2   |     |
| 16  | 725 54 53-01 | SCREW IHSCM  |        | 4   |     |
| 17  | 587 71 60-01 | ADAPTER      |        | 2   |     |
| 18  | 587 78 98-01 | SPRING PIN   |        | 2   |     |
| 19  | 589 75 70-01 | WASHER       |        | 2   |     |
| 20  | 725 63 21-01 | SCREW        |        | 8   |     |