

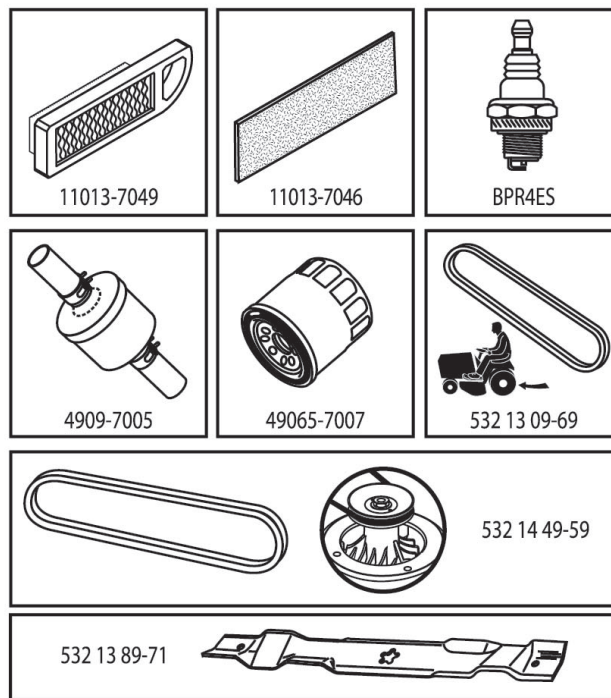
ILLUSTRATED PARTS LIST

MFG. ID NO. 96041034300

CUSTOMER CATALOG NO. YTH 184T

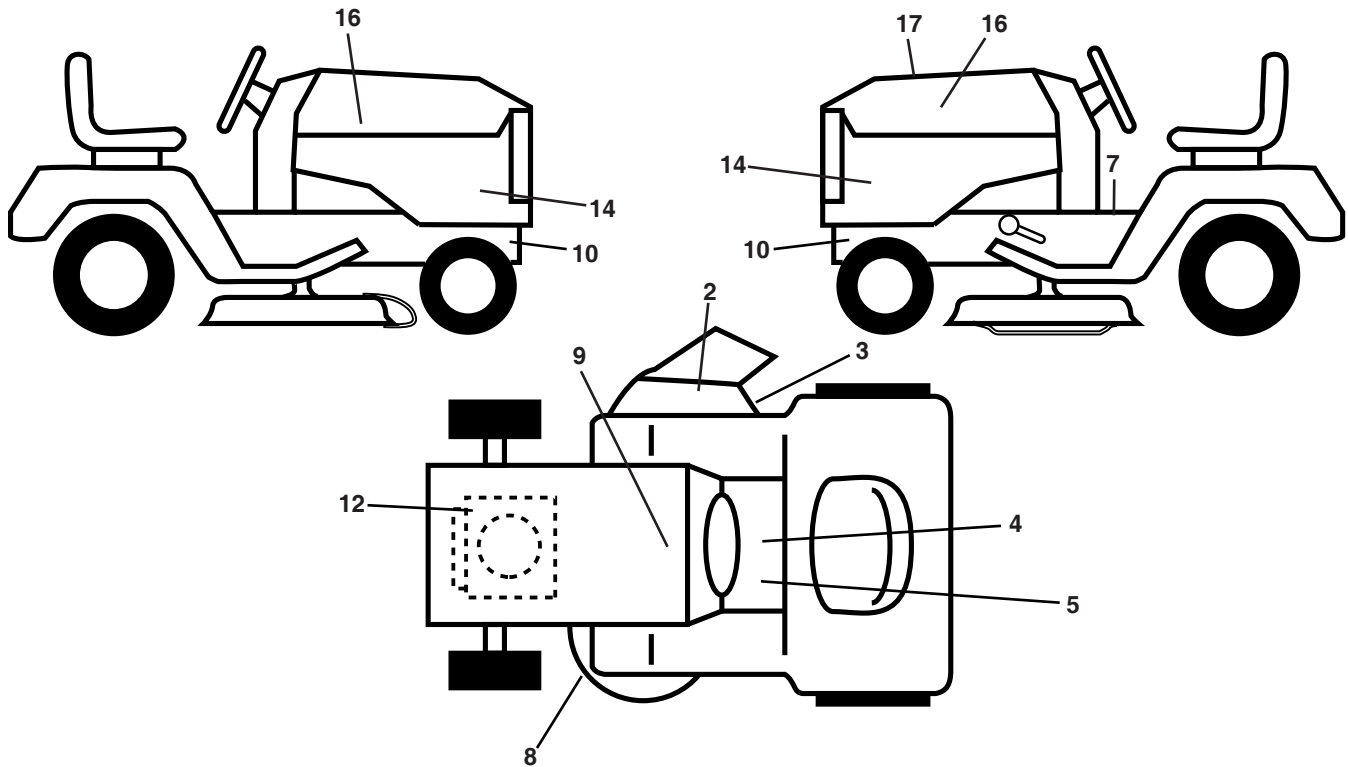
PRODUCT NO. 960 41 03-43

47



581517301

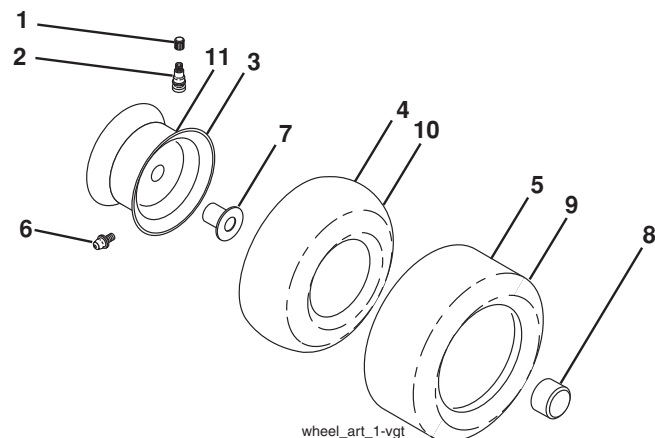
TRACTOR - - MODEL NO. YTH 184T (96041034300), PRODUCT NO. 960 41 03-43
 DECALS **27**



| KEY NO. | PART NO. | DESCRIPTION |
|---------|--------------|----------------------------|
| 2 | 584 90 46-01 | Decal, Deflect. Warning |
| 3 | 581 57 92-01 | Decal, Warning Symbol |
| 4 | 581 57 80-01 | Decal, Brake Parking |
| 5 | 581 57 81-01 | Decal, Warning Symbol CE |
| 7 | 581 72 40-01 | Decal, Brake/Clutch Symbol |
| 8 | 581 58 00-01 | Decal, Mower Sch. |
| 9 | 532 14 50-05 | Decal, Battery Dnge/Poi |
| 10 | 581 57 96-01 | Decal, Hot Muffler |
| 12 | 581 57 97-01 | Decal, Warning Eng. Symbol |
| 14 | 532 44 74-37 | Decal, Panel Side |
| 16 | 581 62 73-01 | Emblem |

| KEY NO. | PART NO. | DESCRIPTION |
|---------|--------------|---------------------|
| 17 | 581 51 73-01 | Decal, Replacement |
| -- | 581 72 48-01 | Decal, Bypass |
| -- | 581 72 46-01 | Decal, Load Limit |
| -- | 532 43 98-82 | Pad, Footrest, LH |
| -- | 532 43 98-81 | Pad, Footrest, RH |
| -- | 115 61 08-20 | Manual Oper. Euro |
| -- | 115 61 08-10 | Manual Oper. Scand |
| -- | 115 61 08-50 | Manual Oper. E-Bloc |
| -- | 115 61 08-40 | Manual Oper. Baltic |

WHEELS AND TIRES

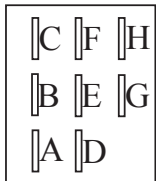
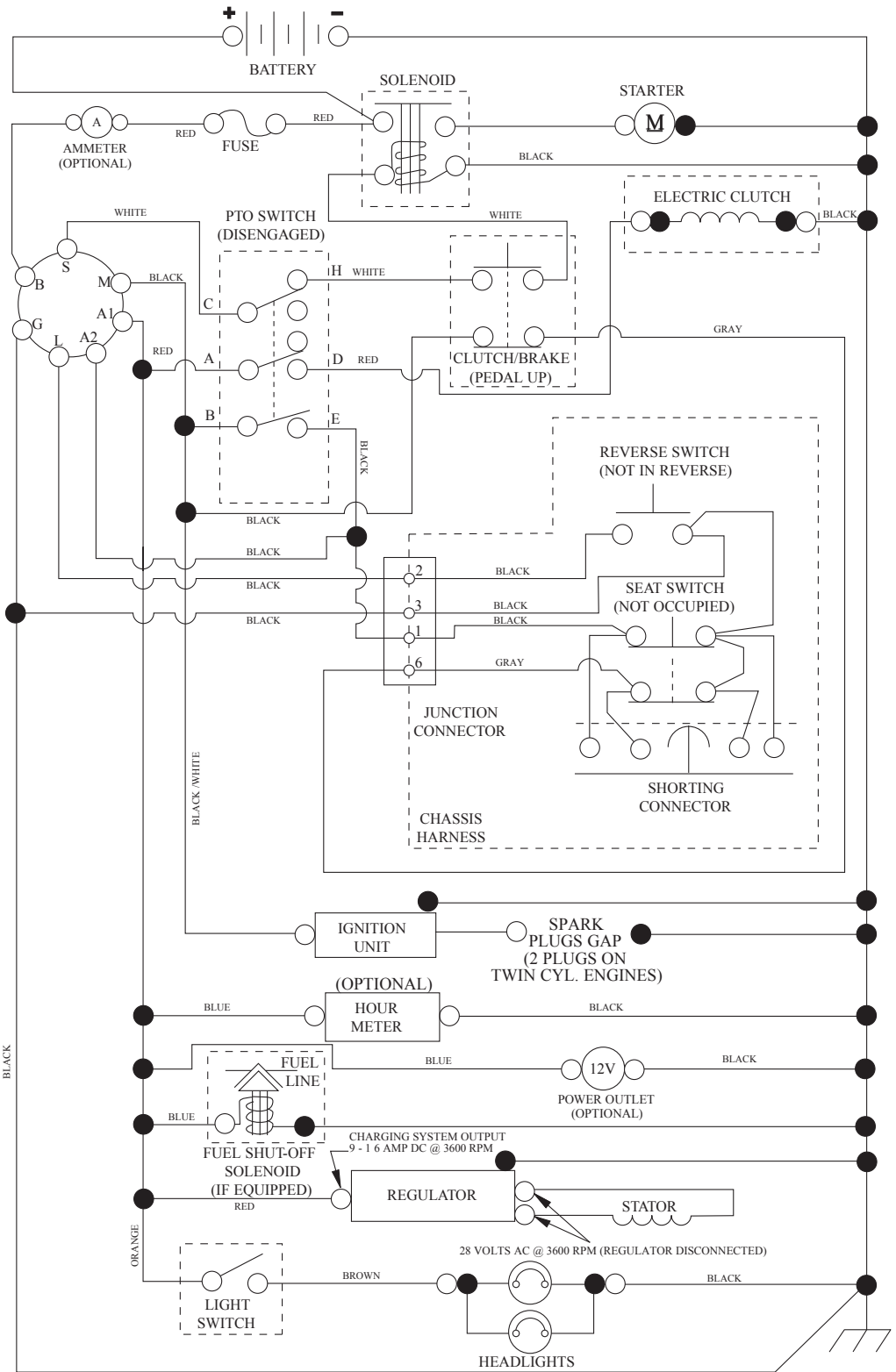


| KEY NO. | PART NO. | DESCRIPTION |
|---------|--------------|------------------------------------|
| 1 | 532 05 91-92 | Cap, Valve, Tire |
| 2 | 532 06 51-39 | Stem, Valve |
| 3 | 532 13 83-36 | Rim Assembly, Front |
| 4 | 532 05 99-04 | Tube, Front (Service Item Only) |
| 5 | 532 10 62-22 | Tire, Front |
| 6 | 532 12 49-57 | Fitting, Grease (Front Wheel Only) |
| 7 | 532 12 49-59 | Bearing, Flange (Front Wheel Only) |
| 8 | 532 17 50-39 | Cap, Axle (Front Wheel Only) |
| 9 | 532 12 20-82 | Tire, Rear |
| 10 | 532 12 49-26 | Tube, Rear (Service Item Only) |
| 11 | 532 13 83-37 | Rim Assembly, Rear |
| -- | 532 14 43-34 | Sealant, Tire (10 oz. Tube) |

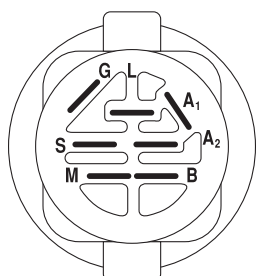
NOTE: All component dimensions given in U.S. inches
 1 inch = 25.4 mm

TRACTOR - - MODEL NO. YTH 184T (96041034300), PRODUCT NO. 960 41 03-43 SCHEMATIC 38

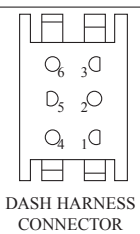
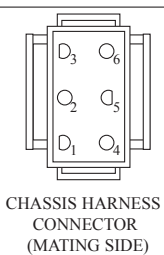
SCH12



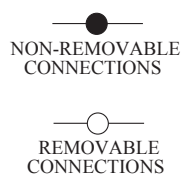
PTO SWITCH (MATING SIDE)



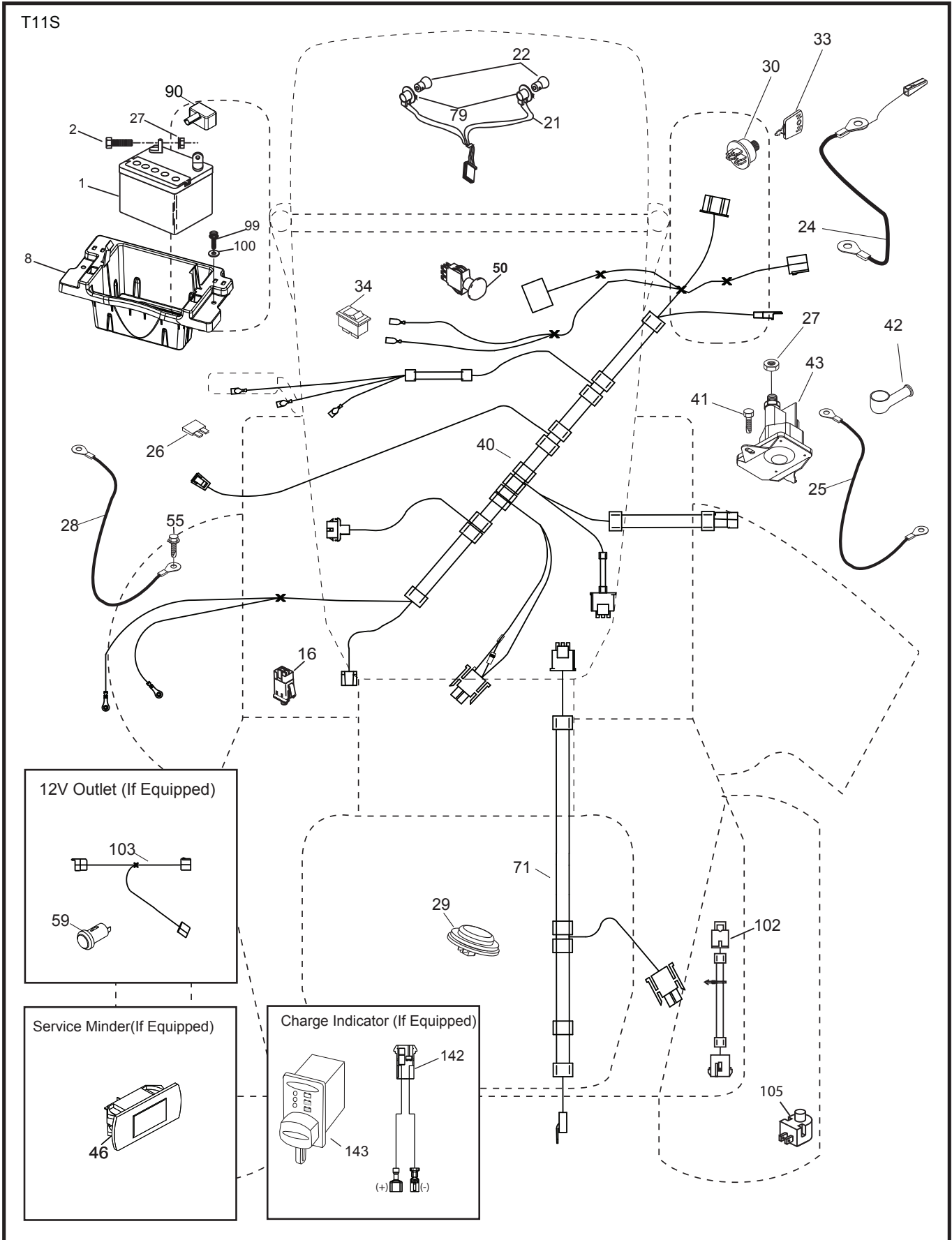
| POSITION | CIRCUIT | "MAKE" |
|--------------|---------|--------|
| OFF | M+G+A1 | |
| RUN/OVERRIDE | B+A1 | |
| RUN | B+A1 | L+A2 |
| START | B+S+A1 | |



WIRING INSULATED CLIPS
NOTE: IF WIRING INSULATED CLIPS WERE REMOVED FOR SERVICING OF UNIT, THEY SHOULD BE RE-INSTALLED TO PROPERLY SECURE YOUR WIRING.



**TRACTOR - - MODEL NO. YTH 184T (96041034300), PRODUCT NO. 960 41 03-43
ELECTRICAL 32**

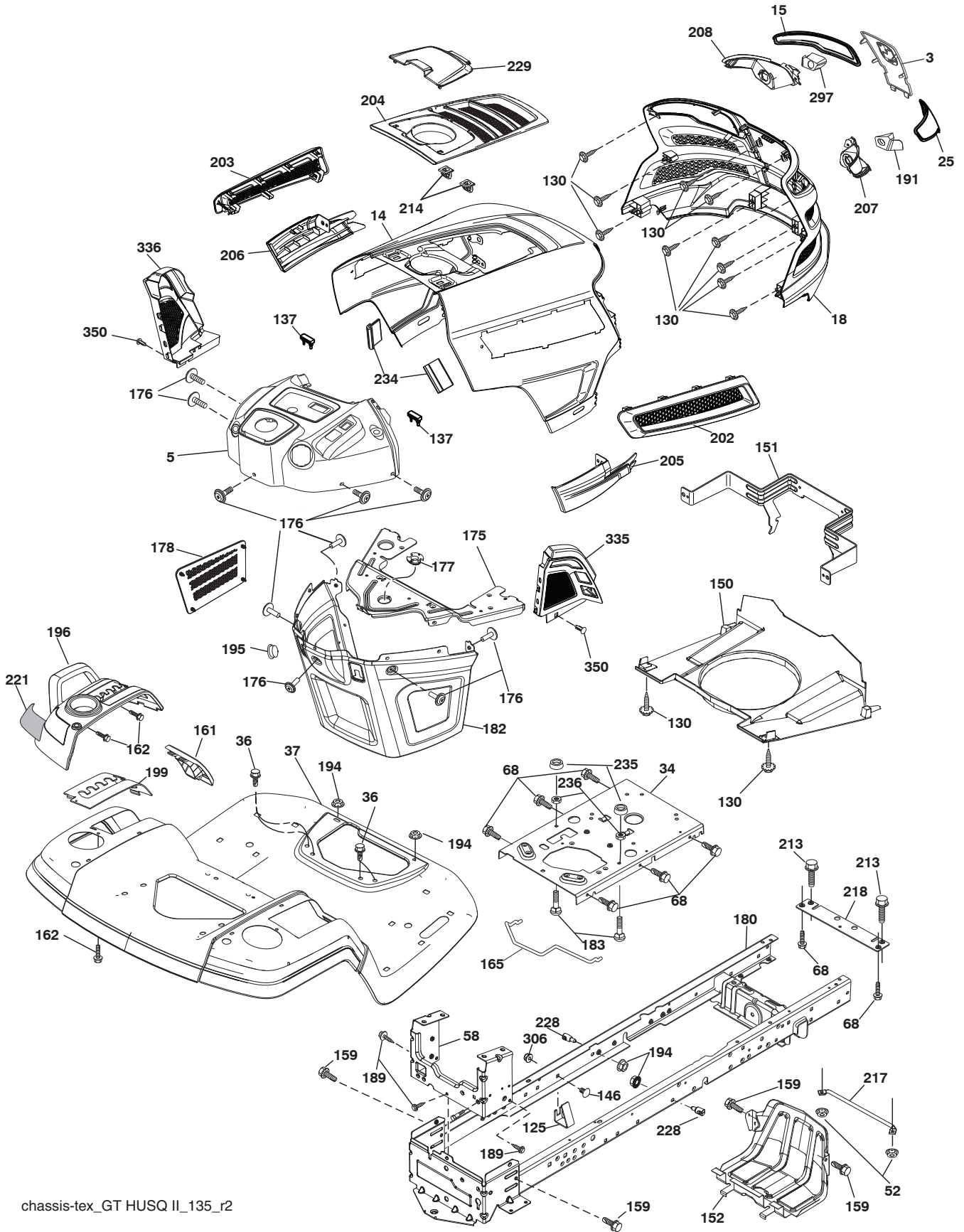


**TRACTOR - - MODEL NO. YTH 184T (96041034300), PRODUCT NO. 960 41 03-43
ELECTRICAL 32**

| KEY NO. | PART NO. | DESCRIPTION |
|----------------|-----------------|----------------------------------|
| 1 | 532 16 34-65 | Battery |
| 2 | 874 76 04-12 | Bolt Hex Hd 1/4-20 unc x 3/4 |
| 8 | 587 20 51-01 | Battery Box |
| 16 | 532 17 61-38 | Switch Interlock |
| 21 | 532 40 02-52 | Harness Socket Light /w 4152J |
| 22 | 532 00 41-52 | Bulb, Light #1156 |
| 24 | 532 40 02-53 | Cable Battery |
| 25 | 532 41 28-95 | Cable Starter |
| 26 | 532 17 51-58 | Fuse |
| 27 | 873 51 04-00 | Nut Keps Hex 1/4-20 unc |
| 28 | 532 14 54-91 | Cable Ground 21" Blk 6 Ga. |
| 29 | 532 40 15-45 | Switch Seat |
| 30 | 532 19 33-50 | Switch Ign |
| 33 | 532 41 19-35 | Key/Chain |
| 34 | 532 11 07-12 | Switch Light/Reset |
| 40 | 581 02 28-01 | Harness Ign Dash |
| 41 | 817 72 04-08 | Screw Thd Cut 1/4-20 x 1/2 |
| 42 | 532 13 15-63 | Cover Terminal Red |
| 43 | 532 19 25-07 | Solenoid |
| 46 | 532 40 17-63 | Gauge Hourmeter |
| 50 | 532 17 46-51 | Switch PTO |
| 55 | 817 06 05-12 | Screw Thdrol 5/16-18 x 3/4 |
| 71 | 532 19 42-76 | Harness Ign. Chassis/Lift |
| 79 | 532 17 52-42 | Socket Asm. Bulb |
| 90 | 532 43 53-95 | Cover Terminal Battery |
| 99 | 817 67 04-12 | Screw Hexwsh Thdrol 1/4-20 x 3/4 |
| 100 | 819 09 14-16 | Washer 9/32 x 7/8 x 16 Ga. |
| 102 | 532 40 75-68 | Switch Pigtail Tex ROS Tufftorq |
| 105 | 532 40 44-54 | Harness Pigtail |
| 142 | 583 85 78-01 | Charge Port Pigtail |
| 143 | 532 44 80-59 | Charge Port |

NOTE: All component dimensions given in U.S. inches
1 inch = 25.4 mm

TRACTOR - - MODEL NO. YTH 184T (96041034300), PRODUCT NO. 960 41 03-43
CHASSIS AND ENCLOSURES **39**



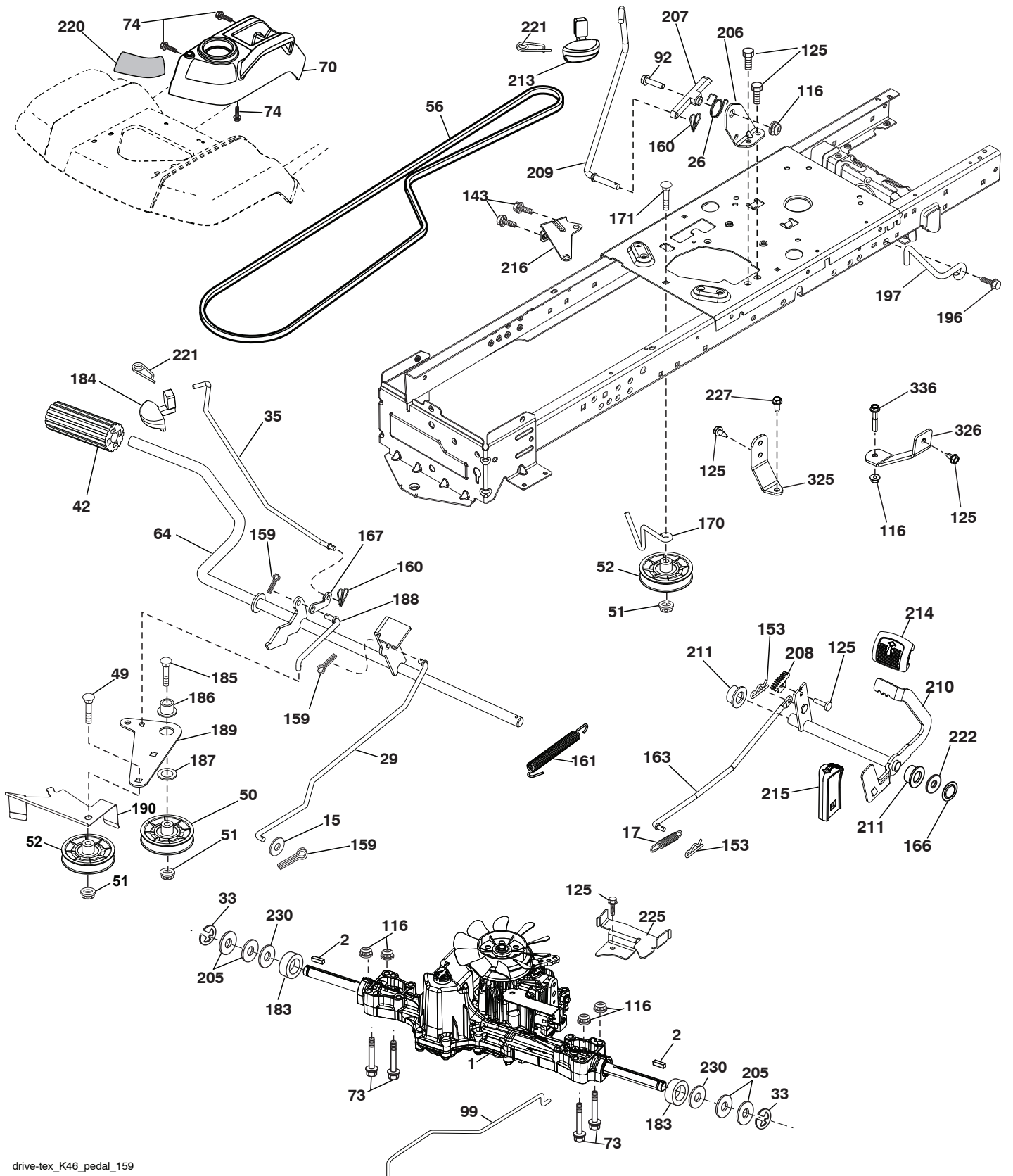
chassis-tex_GT HUSQ II_135_r2

**TRACTOR - - MODEL NO. YTH 184T (96041034300), PRODUCT NO. 960 41 03-43
CHASSIS AND ENCLOSURES 39**

| KEY NO. | PART NO. | DESCRIPTION | KEY NO. | PART NO. | DESCRIPTION |
|------------|--------------|--------------------------------|------------|--------------|-------------------------------|
| 3 | 532 44 44-81 | Applique | 194 | 873 90 05-00 | Nut Lock Hex Flange 5/16-18 |
| 5 | 532 43 74-84 | Dash | 195 | 532 40 41-37 | Plug 12v Adapter |
| 14 | 532 44 11-77 | Hood | 196 | 532 43 97-16 | Console Asm. Deck Lift |
| 15 | 532 43 97-33 | Lens LH | 199 | 532 19 82-59 | Plate Deck Lift |
| 18 | 532 44 06-53 | Grille | 202 | 532 43 97-28 | Vent Side Hood RH |
| 25 | 532 44 33-85 | Lens RH | 203 | 532 43 97-27 | Vent Side Hood LH |
| 34 | 580 91 08-01 | Plate Engine | 204 | 532 44 06-65 | Vent Hood Top |
| 36 | 817 06 05-12 | Screw 5/16-18 x 3/4 | 205 | 532 43 97-30 | Skirt Hood Side RH |
| 37 | 532 44 12-08 | Fender | 206 | 532 43 97-29 | Skirt Hood Side LH |
| 52 | 873 68 05-00 | Nut Crown Lock 5/16-18 | 207 | 532 43 97-34 | Bezel RH |
| 58 | 532 41 22-81 | Drawbar Upper | 208 | 532 43 97-35 | Bezel LH |
| 68 | 817 49 05-08 | Screw 5/16-18 x 1/2 | 213 | 874 76 05-12 | Bolt Hex Hd 5/16-18 unc x 3/4 |
| 125 | 581 68 48-01 | Clip Fuel Line | 214 | 532 19 91-45 | Clip Retainer |
| 130 | 532 41 63-58 | Screw #10 x 0.750 BOS Thread | 217 | 532 40 91-67 | Rod Pivot |
| 137 | 532 40 75-90 | Bumper Hood/Dash | 218 | 532 19 63-95 | Hood Stop |
| 146 | 581 85 79-01 | Bolt | 221 | 532 19 89-09 | Reflector LH |
| 150 | 532 43 97-31 | Duct Air | 228 | 532 19 51-61 | Stud Fastner |
| 151 | 532 43 66-70 | Bracket Pivot | 229 | 532 44 14-63 | Lid Ext. Fill |
| 152 | 532 43 98-70 | Shield Browning | 234 | 532 40 47-42 | Bumper Hood |
| 159 | 817 00 06-12 | Screw Hexwsh Thdr 3/8-16 x 3/4 | 235 | 532 40 61-29 | Spacer Fender |
| 161 | 532 43 99-29 | Console Fuel Window | 236 | 873 93 05-00 | Nut Center Lock 5/16-18 unc |
| 162 | 532 14 24-32 | Screw Hex Wsh Hi-Lo 1/4 x 1/2 | 297 | 532 43 74-56 | Insert Reflective LH |
| 165 | 532 19 68-26 | Bracket Support Tank | 306 | 873 90 06-00 | Nut Lock |
| 175 | 532 19 63-04 | Crossmember | 335 | 532 44 82-04 | Cover Dash RH |
| 176 | 532 40 07-76 | Screw 10-24 x 5/8 Rnd Qdrx | 336 | 532 44 53-09 | Cover Dash LH |
| 177 | 532 19 52-28 | Bushing Steering | 350 | 532 44 51-43 | Clip X-mas Tree |
| 178 | 532 19 97-82 | Cargo Asm. Net | -- | 532 40 09-44 | Bumper Kit |
| 180 | 532 41 50-64 | Chassis | | | |
| 182 | 532 40 68-59 | Dash Lower | | | |
| 183 | 874 52 05-20 | Bolt Hex 5/16-18 x 1-1/4 | | | |
| 189 | 817 00 05-12 | Screw 5/16-18 x 3/4 | | | |
| 191 | 532 43 74-55 | Insert Reflective RH | | | |

NOTE: All component dimensions given in U.S. inches
1 inch = 25.4 mm

TRACTOR - - MODEL NO. YTH 184T (96041034300), PRODUCT NO. 960 41 03-43
 DRIVE **40**

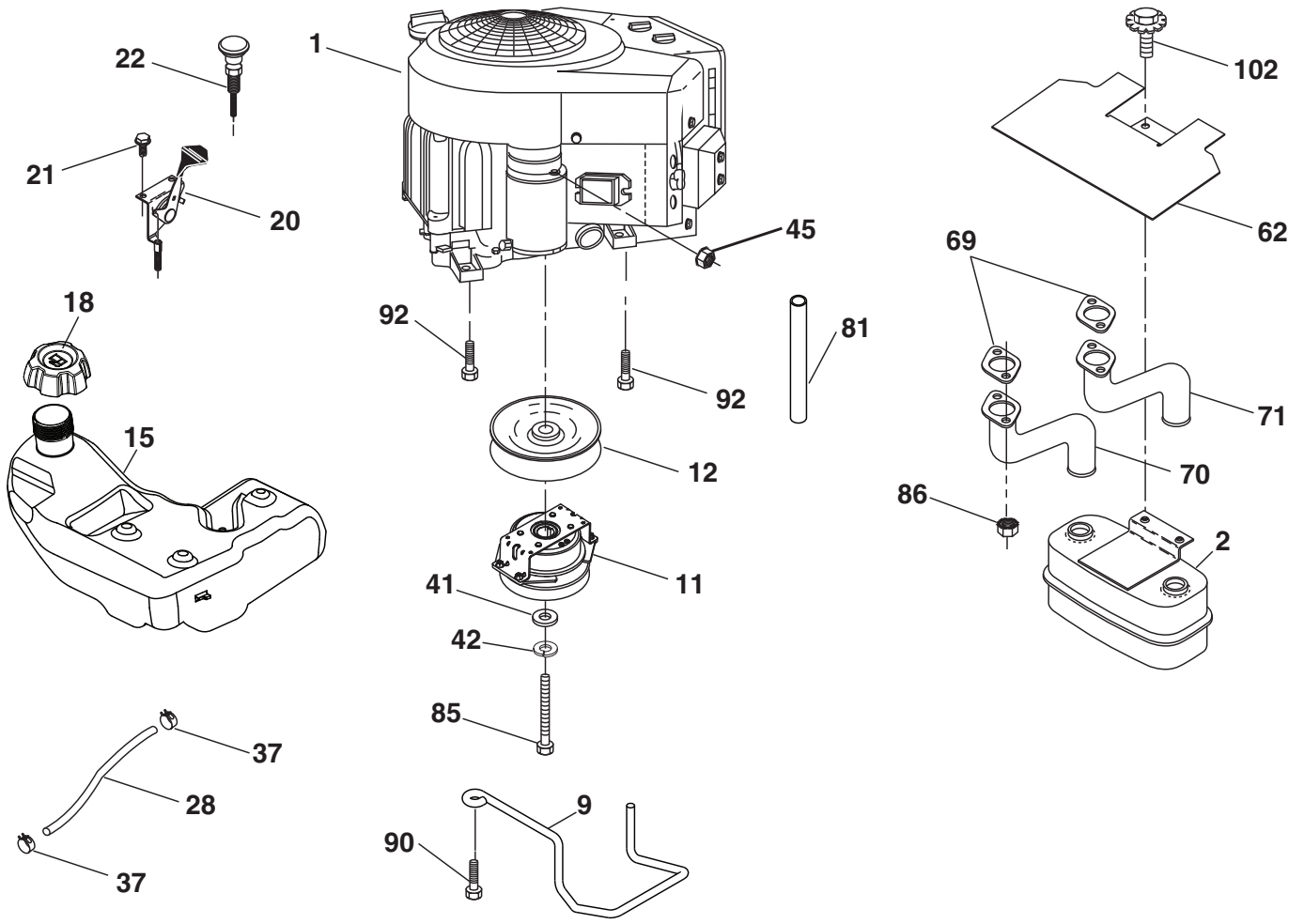


drive-tex_K46_pedal_159

**TRACTOR - - MODEL NO. YTH 184T (96041034300), PRODUCT NO. 960 41 03-43
DRIVE **40****

| KEY NO. | PART NO. | DESCRIPTION | KEY NO. | PART NO. | DESCRIPTION |
|----------------|-----------------|---|----------------|-----------------|-------------------------------------|
| 1 | ----- | Transaxle, TUFFTORQ K46 BT (426120) (Order parts from trans-axle manufacturer.) | 183 | 532 13 70-57 | Spacer Split |
| 2 | 532 12 35-83 | Key | 184 | 532 44 14-55 | Handle Parking Brake |
| 15 | 819 13 13-16 | Washer 13/32 x 13/16 x 16 Ga. | 185 | 872 11 06-22 | Bolt Rdhd Sqnk 3/8-16 x 2-3/4 Gr. 5 |
| 17 | 532 41 36-78 | Spring Brake | 186 | 532 19 43-21 | Spacer Retainer |
| 26 | 532 19 96-79 | Spring Return Cruise | 187 | 819 13 32-10 | Washer |
| 29 | 532 40 38-06 | Rod, Brake | 188 | 532 19 43-23 | Link Clutch Ground Drive |
| 33 | 812 00 00-01 | Ring E | 189 | 532 19 43-17 | Bellcrank Ground Drive |
| 35 | 583 86 45-01 | Rod Brake Park | 190 | 532 19 43-18 | Keeper Bellcrank Ground Drive |
| 42 | 532 12 48-72 | Cover Foot Pedal | 196 | 817 00 06-16 | Screw 3/8-16 x 1 |
| 49 | 872 11 06-14 | Bolt | 197 | 585 65 86-01 | Link Clutch Anti-Rotation |
| 50 | 532 19 43-27 | Pulley Idler Flat | 205 | 532 12 17-48 | Washer |
| 51 | 873 90 06-00 | Lock Nut 3/8-16 | 206 | 532 19 78-67 | Bracket Mount Latch |
| 52 | 532 19 43-26 | Idler V-Groove | 207 | 532 19 78-68 | Latch Control |
| 56 | 532 13 09-69 | V-Belt Drive | 208 | 532 19 78-69 | Gear Sector Control |
| 64 | 532 19 78-65 | Shaft Asm. Pedal Brake Control | 209 | 532 19 95-92 | Rod Control Cruise |
| 70 | 532 43 96-61 | Console Asm. | 210 | 532 19 78-60 | Rocker Asm. Pedal |
| 73 | 874 49 05-40 | Bolt 5/16-18 x 2-1/2 Gr. 5 | 211 | 532 12 01-83 | Bushing Brake Shaft |
| 74 | 532 14 24-32 | Screw 1/4 x 1/2 | 213 | 532 40 31-19 | Knob Control Cruise |
| 92 | 874 76 05-20 | Bolt 5/16-18 unc x 1.25 | 214 | 532 42 12-63 | Pedal Forward |
| 99 | 532 41 57-42 | Rod Bypass | 215 | 532 40 17-23 | Pedal Reverse |
| 116 | 873 90 05-00 | Nut Lock Hex Flange 5/16-18 | 216 | 532 19 61-31 | Bracket Pulley Idler |
| 125 | 817 00 05-12 | Screw 5/16-18 x 3/4 | 220 | 532 19 89-08 | Reflector RH |
| 143 | 817 49 05-08 | Screw 5/16-18 x 1/2 | 221 | 532 40 31-87 | Retainer Spring Clip Handle |
| 153 | 532 12 47-88 | Retainer Spring | 222 | 879 21 20-10 | Washer 21/32 x1-1/4 10 Ga. |
| 159 | 876 02 04-12 | Pin Cotter 1/8 x 3/4 | 225 | 532 40 33-19 | Keeper Belt Trans. |
| 160 | 532 16 94-84 | Retainer Clip | 227 | 817 49 05-12 | Screw 5/16-18 x 3/4 |
| 161 | 532 10 57-09 | Spring Return Clutch | 230 | 532 18 89-67 | Washer Hardened |
| 163 | 532 44 82-75 | Rod Control Pedal | 325 | 585 66 85-02 | Torque Strap K46 LT RH |
| 166 | 532 42 91-64 | Nut Push | 326 | 585 67 08-02 | Bracket Trq Stp 46 20" Tire RH |
| 167 | 532 40 52-57 | Latch Brake Parking | 336 | 587 25 96-01 | Bolt 5/16-18 x 1-3/4 Flanged |
| 170 | 532 19 43-22 | Keeper Belt Centerspan | | | |
| 171 | 872 11 06-16 | Bolt RDHD SQNK 3/8-16 unc x 2 | | | |

NOTE: All component dimensions given in U.S. inches
1 inch = 25.4 mm



29

SPARK ARRESTER KIT

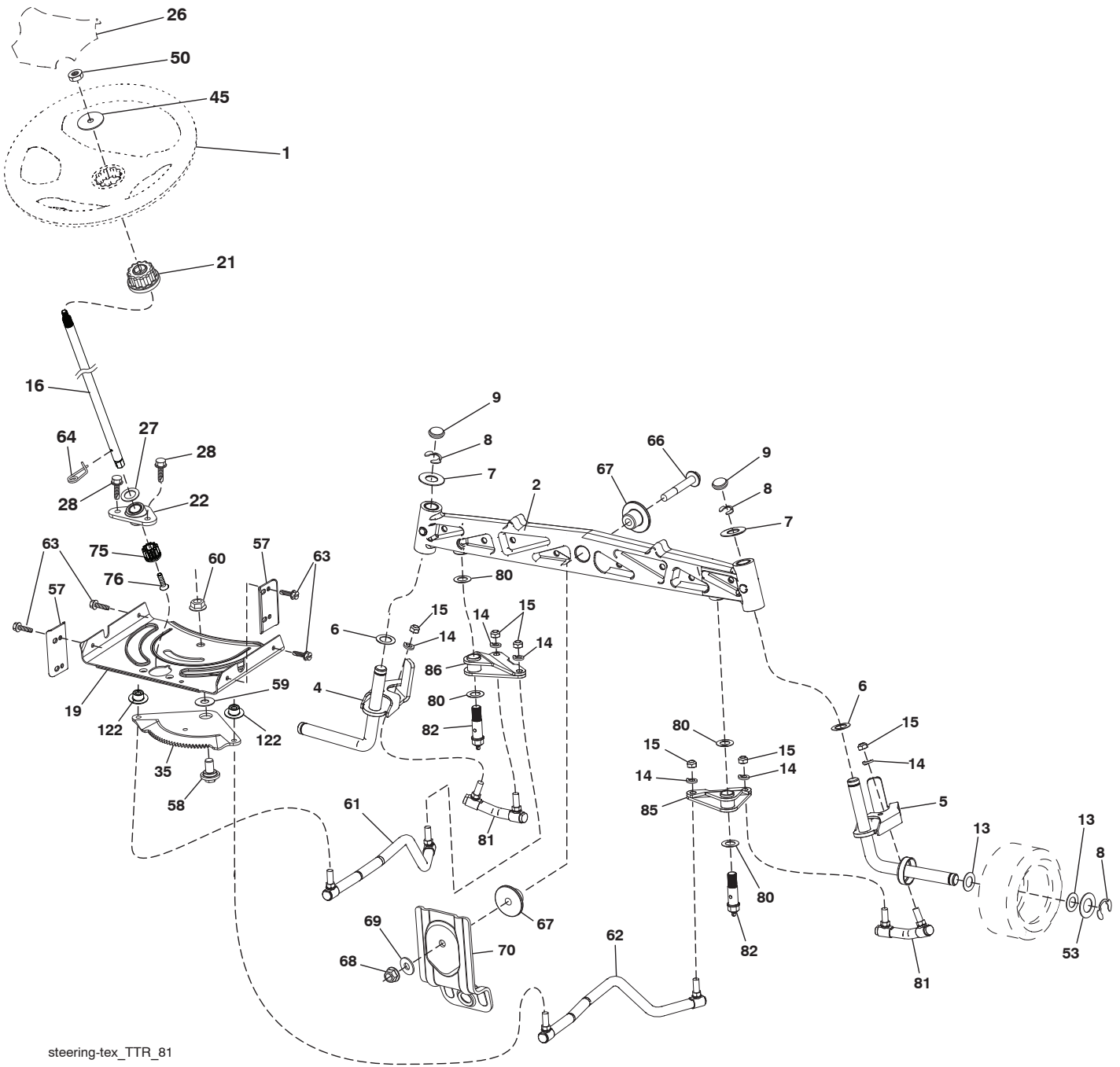
engine-tex_Kawa-2cyl_46_r1

**TRACTOR - - MODEL NO. YTH 184T (96041034300), PRODUCT NO. 960 41 03-43
ENGINE 24**

| KEY NO. | PART NO. | DESCRIPTION |
|----------------|-----------------|---|
| 1 | - - - - - | Engine Kawa Model No. FS541-CS51 (445366) (Order parts from engine manufacturer.) |
| 2 | 532 44 59-62 | Muffler |
| 9 | 532 19 43-20 | Keeper Belt Engine |
| 11 | 587 24 15-01 | Clutch Electric |
| 12 | 532 40 50-97 | Pulley Engine |
| 15 | 532 19 34-99 | Tank Fuel 4.0 |
| 18 | 532 43 96-45 | Cap Asm |
| 20 | 532 41 21-65 | Control Throttle |
| 21 | 532 41 63-58 | Screw #10 x 0.75 BOS Thread |
| 22 | 532 19 15-96 | Control Choke |
| 28 | 532 14 21-58 | Fuel Line |
| 29 | 532 13 71-80 | Spark Arrester Kit |
| 37 | 532 12 34-87 | Clamp Hose |
| 41 | 532 12 61-97 | Washer 1-1/2 OD x 15/32 ID x .250 |
| 42 | 810 04 07-00 | Washer Lock 7/16 |
| 45 | 873 51 04-00 | Nut Keps Hex 1/4-20 unc |
| 62 | 532 43 40-17 | Shield Heat Muffler |
| 69 | 532 17 81-51 | Gasket |
| 70 | 532 42 47-65 | Tube Exhaust LH |
| 71 | 532 42 47-66 | Tube Exhaust RH |
| 81 | 532 14 84-56 | Tube Drain Oil Easy |
| 85 | 581 33 28-04 | Bolt 7/16-20 x 3.5 Gr. 5 |
| 86 | 532 18 43-62 | Nut Hex Flange Toplock M8-1.2 |
| 90 | 817 00 06-16 | Screw 3/8-16 x 1 |
| 92 | 817 12 06-16 | Screw 3/8-16 x 1 |
| 102 | 817 00 05-12 | Screw 5/16-18 x 3/4 |

NOTE: All component dimensions given in U.S. inches
1 inch = 25.4 mm

TRACTOR - - MODEL NO. YTH 184T (96041034300), PRODUCT NO. 960 41 03-43
STEERING ASSEMBLY **41**



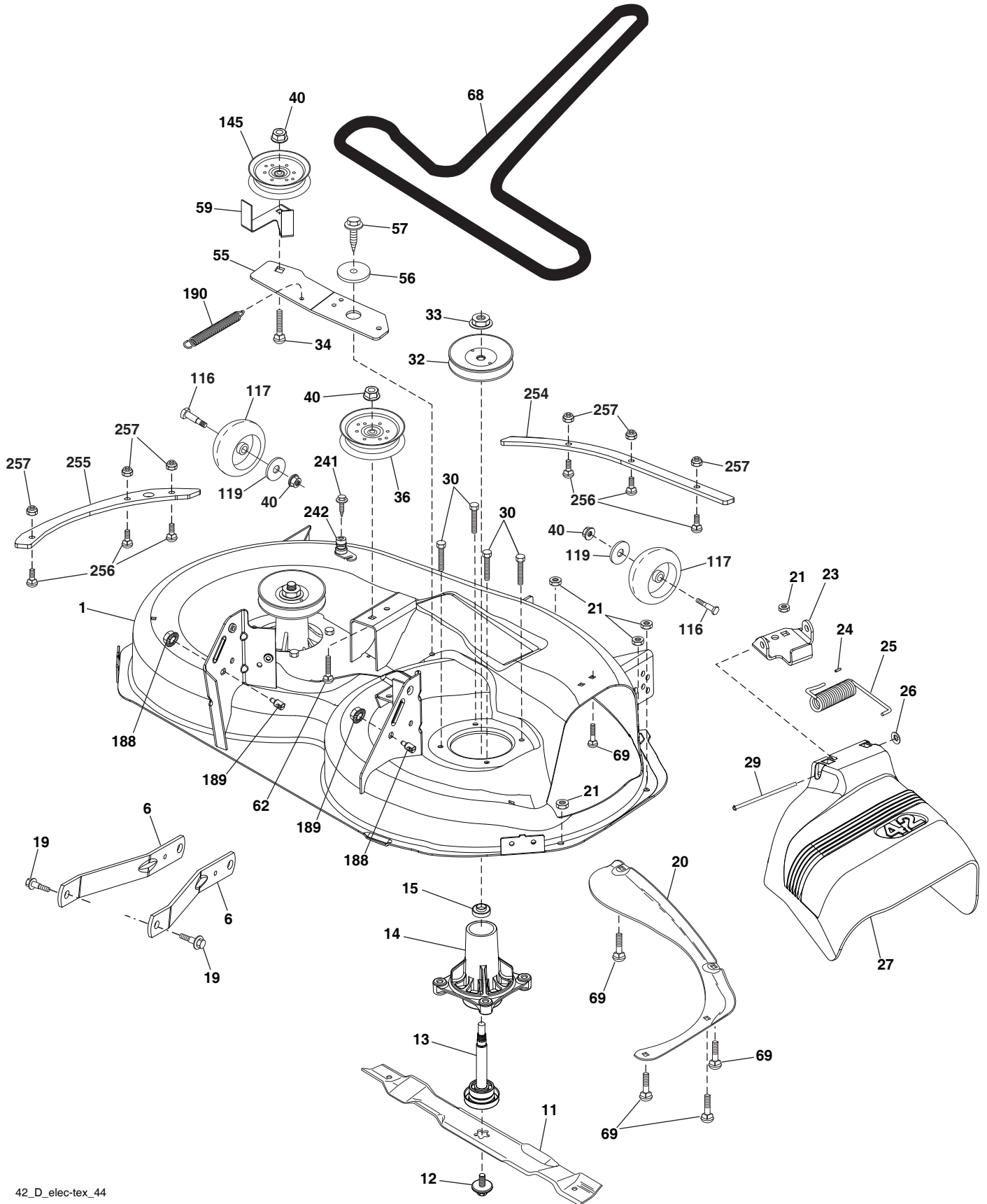
steering-tex_TTR_81

**TRACTOR - - MODEL NO. YTH 184T (96041034300), PRODUCT NO. 960 41 03-43
STEERING ASSEMBLY **41****

| KEY NO. | PART NO. | DESCRIPTION |
|----------------|-----------------|-------------------------------------|
| 1 | 532 43 97-40 | Wheel, Steering |
| 2 | 532 43 68-70 | Axle Asm., Front |
| 4 | 532 43 68-73 | Spindle Asm., LH |
| 5 | 532 43 68-74 | Spindle Asm., RH |
| 6 | 532 12 49-31 | Washer Thrust 0.75 x 1.23 |
| 7 | 532 12 17-48 | Washer 25/32 x 1-5/8 x 16 Ga. |
| 8 | 812 00 00-29 | Ring, Klip #T5304-75 |
| 9 | 532 12 12-32 | Cap, Spindle |
| 13 | 532 12 17-49 | Washer 25/32 x 1-1/4 x 16 Ga. |
| 14 | 810 04 06-00 | Washer, Lock 3/8 |
| 15 | 873 54 06-00 | Nut, Crown Lock 3/8-24 unf |
| 16 | 587 01 60-02 | Steering Shaft |
| 19 | 532 19 47-29 | Plate Steering |
| 21 | 532 43 77-47 | Adapter, Wheel Steering |
| 22 | 585 02 99-01 | Bearing Shaft |
| 26 | 532 43 97-43 | Insert, Wheel Steering |
| 27 | 819 21 16-16 | Washer 21/32 x 1 x 16 Ga. |
| 28 | 817 00 06-12 | Screw 3/8-16 x 3/4 |
| 35 | 532 44 07-70 | Gear, Sector Plate |
| 45 | 819 18 38-12 | Washer 9/16 x 2-3/8 12 Ga. |
| 50 | 873 90 06-00 | Nut Lock Flg 3/8-16 unc |
| 53 | 532 18 89-67 | Washer Hardened .793 x 1.637 x .060 |
| 57 | 532 40 74-65 | Bracket Upstop |
| 58 | 532 19 47-47 | Bolt Shoulder Sector Pivot CFM |
| 59 | 532 19 47-48 | Washer Thrust Sector Steering |
| 60 | 873 97 10-00 | Nut Flange Lock 5/8-11 |
| 61 | 532 43 68-84 | Draglink, LH |
| 62 | 532 43 68-85 | Draglink, RH |
| 63 | 817 00 05-12 | Screw 5/16-18 x 3/4 |
| 64 | 532 19 98-49 | Retainer Clip Spring Steering |
| 66 | 871 02 07-48 | Bolt Hex Fghd 7/16-14 x 3 Serr |
| 67 | 532 19 47-37 | Bushing PM Front Axle |
| 68 | 873 90 07-00 | Nut Lock Flange 7/16-14 Gr. 5 |
| 69 | 532 19 91-62 | Washer 1.5 x .505 x .118 |
| 70 | 532 19 61-97 | Bracket Deck Susp. Front |
| 75 | 580 68 37-01 | Pinion |
| 76 | 580 68 36-01 | Screw Head Sock |
| 80 | 532 00 13-70 | Washer |
| 81 | 532 43 68-87 | Link Cross RH |
| 82 | 532 43 68-77 | Pivot Bolt |
| 85 | 532 44 18-73 | Pivot RH |
| 86 | 532 44 18-72 | Pivot LH |
| 122 | 532 44 49-62 | Cap Gear Sector |

NOTE: All component dimensions given in U.S. inches
1 inch = 25.4 mm

TRACTOR - - MODEL NO. YTH 184T (96041034300), PRODUCT NO. 960 41 03-43
 MOWER DECK **44**

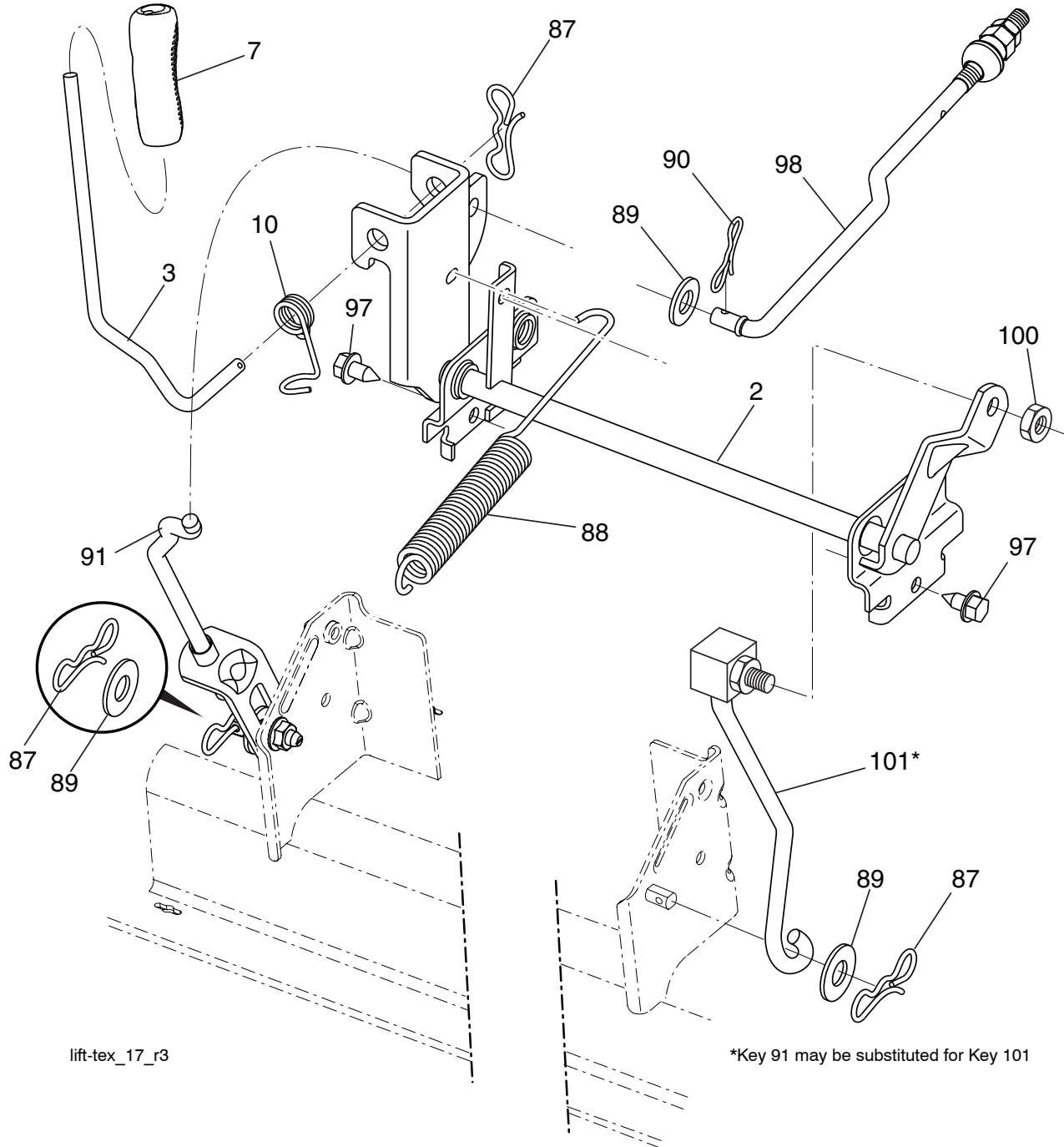


**TRACTOR - - MODEL NO. YTH 184T (96041034300), PRODUCT NO. 960 41 03-43
MOWER DECK 44**

| KEY NO. | PART NO. | DESCRIPTION |
|----------------|-----------------|---|
| 1 | 584 92 75-01 | Mower Deck Assembly, 42" |
| 6 | 532 19 51-86 | Arm Susp. Rear |
| 11 | 532 13 89-71 | Blade Mower 42" |
| 12 | 584 30 93-01 | Screw 7/16-20 x 1 Hex |
| 13 | 587 25 65-01 | Shaft Assembly, Mandrel |
| 14 | 532 18 72-81 | Housing, Mandrel |
| 15 | 585 32 39-01 | Bearing, Mandrel |
| 19 | 532 19 65-39 | Bolt, Shoulder |
| 20 | 532 15 97-70 | Baffle, Vortex |
| 21 | 873 68 05-00 | Nut |
| 23 | 532 19 25-57 | Bracket, Deflector Mower 42" |
| 24 | 532 10 53-04 | Cap, Sleeve 80 x 112 Blk Mower |
| 25 | 532 19 70-26 | Spring, Torsion, Deflector |
| 26 | 532 11 04-52 | Nut, Push Phos & Oil |
| 27 | 532 40 30-04 | Shield, Deflector 42" Blk |
| 29 | 532 13 14-91 | Rod, Hinge 42" 6 75 W/G |
| 30 | 532 17 39-84 | Screw Thdrol |
| 32 | 532 15 35-35 | Pulley, Mandrel |
| 33 | 532 40 02-34 | Nut, Toplock |
| 34 | 872 11 06-12 | Bolt Carr SH 3/8-16 x 1-1/2 Gr. 5 |
| 36 | 532 19 73-79 | Pulley, Idler, Flat |
| 40 | 873 90 06-00 | Nut Lock 3/8-16 |
| 55 | 532 43 71-10 | Arm, Idler |
| 56 | 532 19 90-92 | Spacer, Retainer |
| 57 | 817 00 06-16 | Screw 3/8-16 x 1 |
| 59 | 532 14 10-43 | Guard TUV Idler |
| 62 | 872 11 06-16 | Bolt Rdhd Sqnk 3/8-16 unc x 2 |
| 68 | 532 14 49-59 | V-Belt, 42" Mower |
| 69 | 872 14 05-05 | Bolt, Carriage 5/16-18 x 5/8 |
| 116 | 532 12 48-42 | Bolt, Shoulder |
| 117 | 532 18 86-06 | Wheel, Gauge |
| 119 | 819 12 14-14 | Washer 3/8 x 7/8 x 14 Ga. |
| 145 | 532 19 31-97 | Pulley Idler Primary |
| 188 | 532 19 51-61 | Stud Fastner w/D Anti-Rotation |
| 189 | 873 90 05-00 | Nut Lock Hex Flange 5/16-18 |
| 190 | 532 19 72-51 | Spring Mower Drive |
| 241 | 532 15 29-27 | Screw TT #10-32.5. 3/8 |
| 242 | 532 41 55-98 | Port Washout |
| 254 | 581 96 75-02 | Reinforcement Plate Front |
| 255 | 581 96 76-02 | Reinforcement Plate Side |
| 256 | 539 10 98-00 | Carriage Bolt 1/4-20 x 1 Gr. 5 |
| 257 | 873 90 04-00 | Nut Hex Flng 1/4-20 unc |
| -- | 587 25 33-01 | Mandrel Assembly (Includes housing (Key #14), shaft assembly (Key #13), and bearing only (Key #15) - pulley/nut/washer and blade bolt/washers not included) |
| -- | 583 93 50-02 | Replacement Mower, Complete (Std. deck Order separately gauge wheel components Key Nos. 116-119) |

NOTE: All component dimensions given in U.S. inches
1 inch = 25.4 mm

TRACTOR - - MODEL NO. YTH 184T (96041034300), PRODUCT NO. 960 41 03-43
 MOWER LIFT **45**

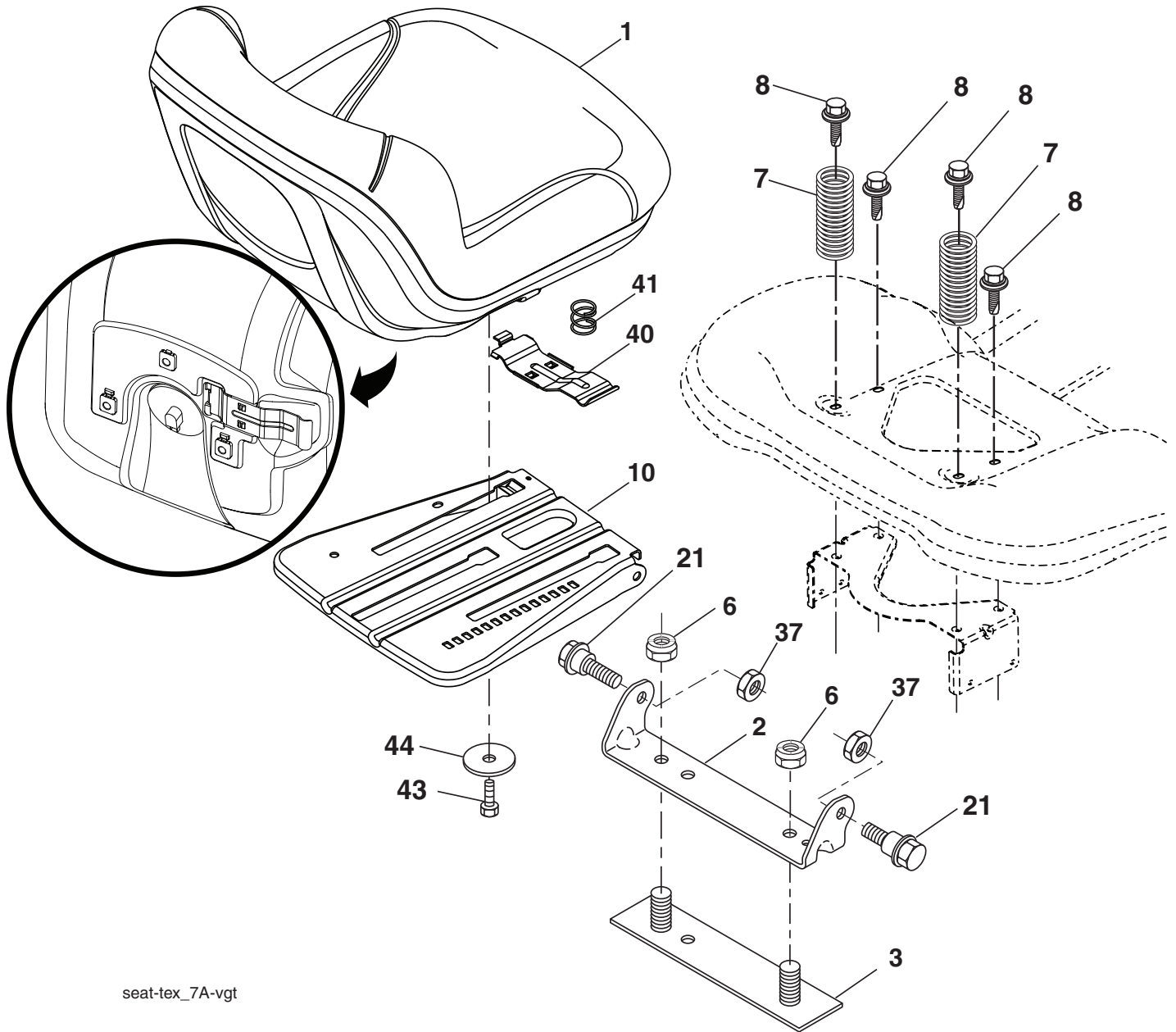


| KEY NO. | PART NO. | DESCRIPTION |
|---------|--------------|------------------------------|
| 2 | 532 42 20-27 | Shaft Asm., Lift |
| 3 | 532 19 52-30 | Lever Asm., Lift RH |
| 7 | 580 96 23-01 | Grip, Lever |
| 10 | 532 19 63-14 | Spring Torsion |
| 87 | 532 19 42-09 | Pin Cotter 7/16 Bow Tie Lock |
| 88 | 532 41 07-10 | Spring Lift Assist |
| 89 | 819 19 19-12 | Washer Clear Zinc |
| 90 | 532 19 42-08 | Pin Cotter 5/16 Bow Tie Lock |

| KEY NO. | PART NO. | DESCRIPTION |
|---------|--------------|----------------------------------|
| 91 | 532 19 51-81 | Link Lift Susp Mower Rear |
| 97 | 817 00 06-12 | Screw 3/8-16 x .75 Smgml Tap/R.Z |
| 98 | 532 19 52-70 | Link Lift Susp. Front Mower |
| 100 | 873 93 06-00 | Nut Lock 3/8 - 16 unc |
| 101 | 532 40 70-03 | Link Asm. Lift Fxd |

NOTE: All component dimensions given in U.S. inches
 1 inch = 25.4 mm

**TRACTOR - - MODEL NO. YTH 184T (96041034300), PRODUCT NO. 960 41 03-43
SEAT ASSEMBLY 42**



seat-tex_7A-vgt

| KEY NO. | PART NO. | DESCRIPTION |
|---------|--------------|-------------------------------|
| 1 | 532 43 98-22 | Seat |
| 2 | 532 18 01-66 | Bracket Pivot Fender |
| 3 | 532 14 06-75 | Strap, Asm Fender |
| 6 | 873 80 06-00 | Nut, Lock w/Ins. 3/8-16 unc |
| 7 | 532 12 41-81 | Spring, Seat Cprsn |
| 8 | 532 17 18-77 | Bolt 5/16-18 unc x 3/4 w/Sems |
| 10 | 532 19 69-77 | Pan, Seat |
| 21 | 532 17 18-52 | Bolt, Shoulder 5/16-18 |
| 37 | 873 80 05-00 | Nut, Lock 5/16-18 unc |

| KEY NO. | PART NO. | DESCRIPTION |
|---------|--------------|-------------------------------|
| 40 | 532 19 76-61 | Handle Slide Seat |
| 41 | 532 19 82-00 | Spring Latch Seat |
| 43 | 874 76 06-12 | Bolt 3/8-16 x 3/4 |
| 44 | 819 13 38-12 | Washer 13/32 x 2-3/8 x 12 Ga. |

NOTE: All component dimensions given in U.S. inches
1 inch = 25.4 mm

