

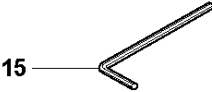
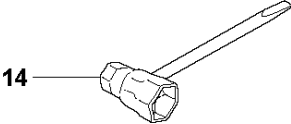
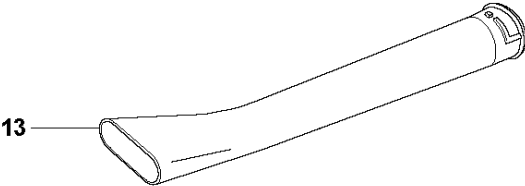
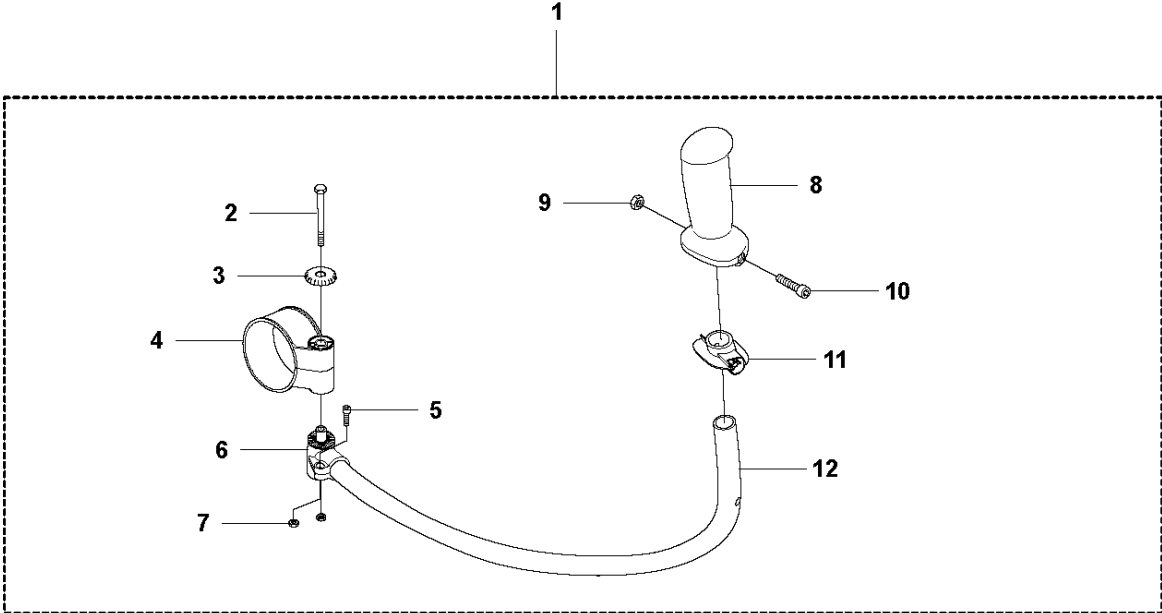


# SPARE PARTS LIST

## BLOWERS

356 BF X-SERIES from 2014-12

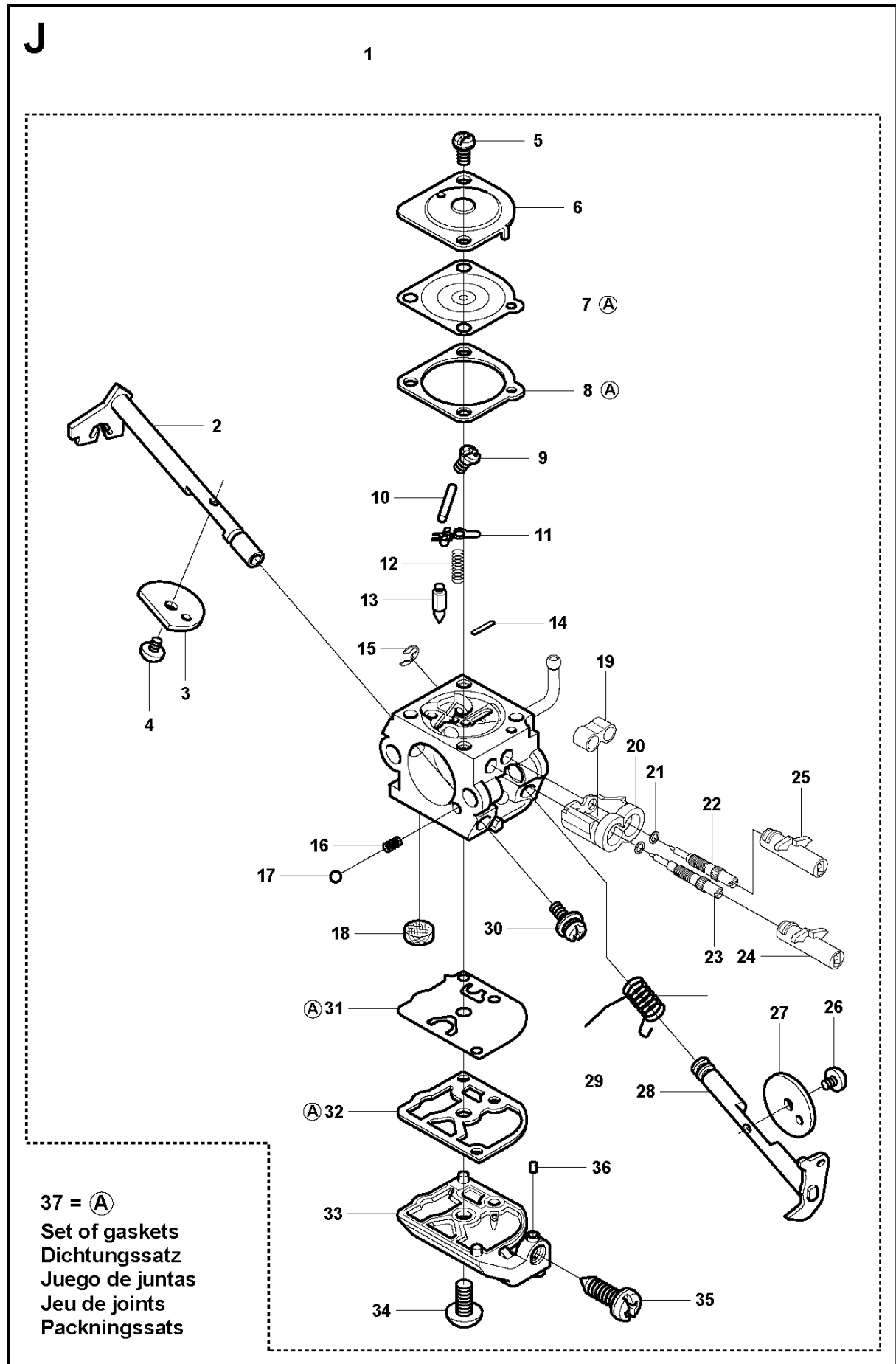
**L** Accessories



## ACCESSORIES

356 BF X-SERIES from 2014-12

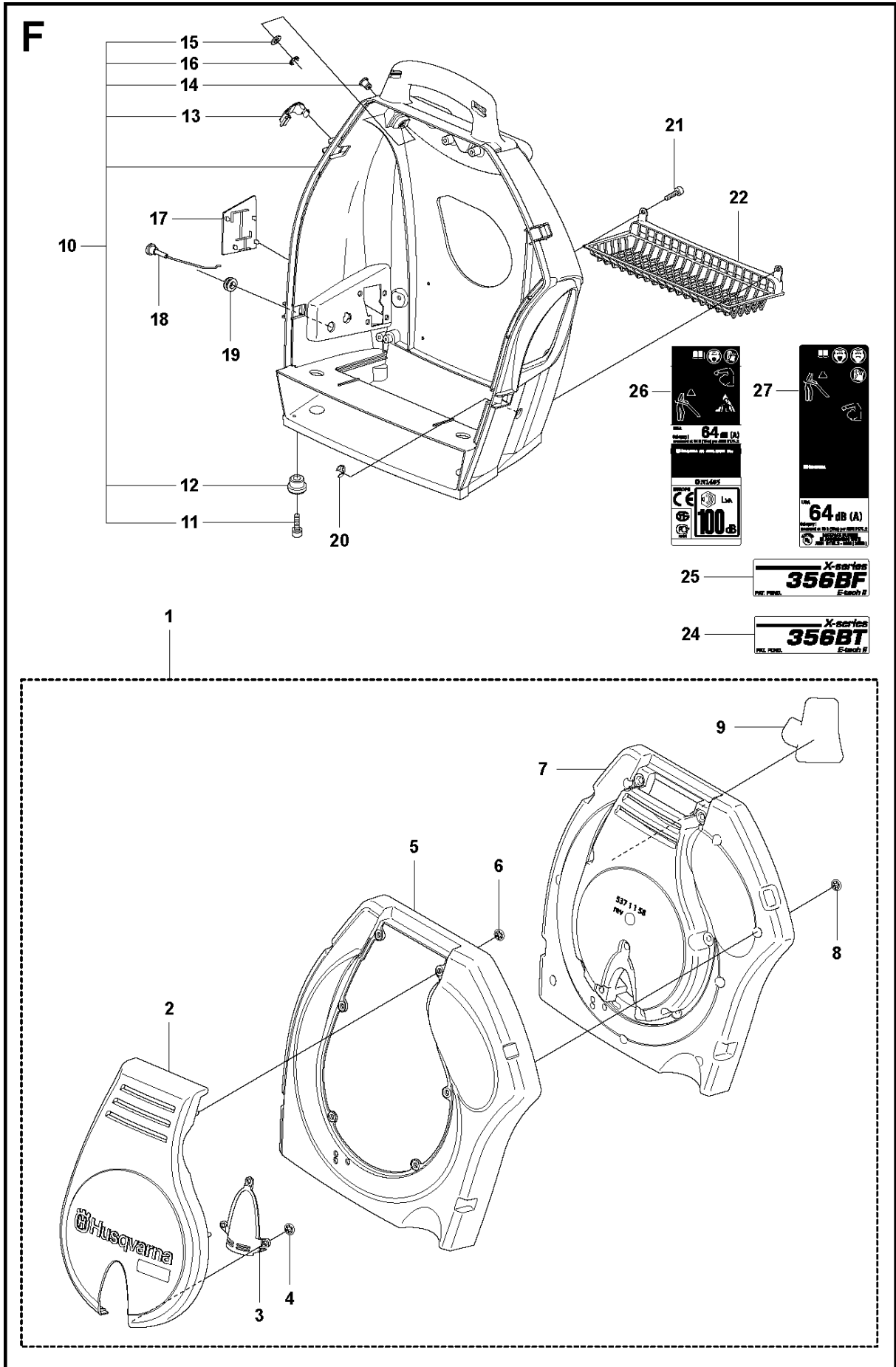
Ref	Part No	Description	Remark	QTY KIT
1	537 24 16-01	HANDLEBAR ASSY		1
2	725 23 47-51	SCREW EHHM		1
3	502 20 40-01	KNOB		1
4	537 26 03-01	BRACKET		1
5	725 53 25-55	SCREW IHSCM		1
6	537 29 29-01	BRACKET		1
7	731 23 14-01	HEXAGON NUT		2
8	537 17 28-01	HANDLE		1
9	731 23 14-01	HEXAGON NUT		1
10	503 20 02-45	SCREW IHSCFM		1
11	537 17 29-01	COVER		1
12	537 24 13-01	HANDLEBAR		1
13	537 28 21-01	PIPE		1
14	501 69 17-01	COMBINATION WRENCH		1
15	503 55 86-01	SPANNER		1



## CARBURETOR DETAILS

356 BF X-SERIES from 2014-12

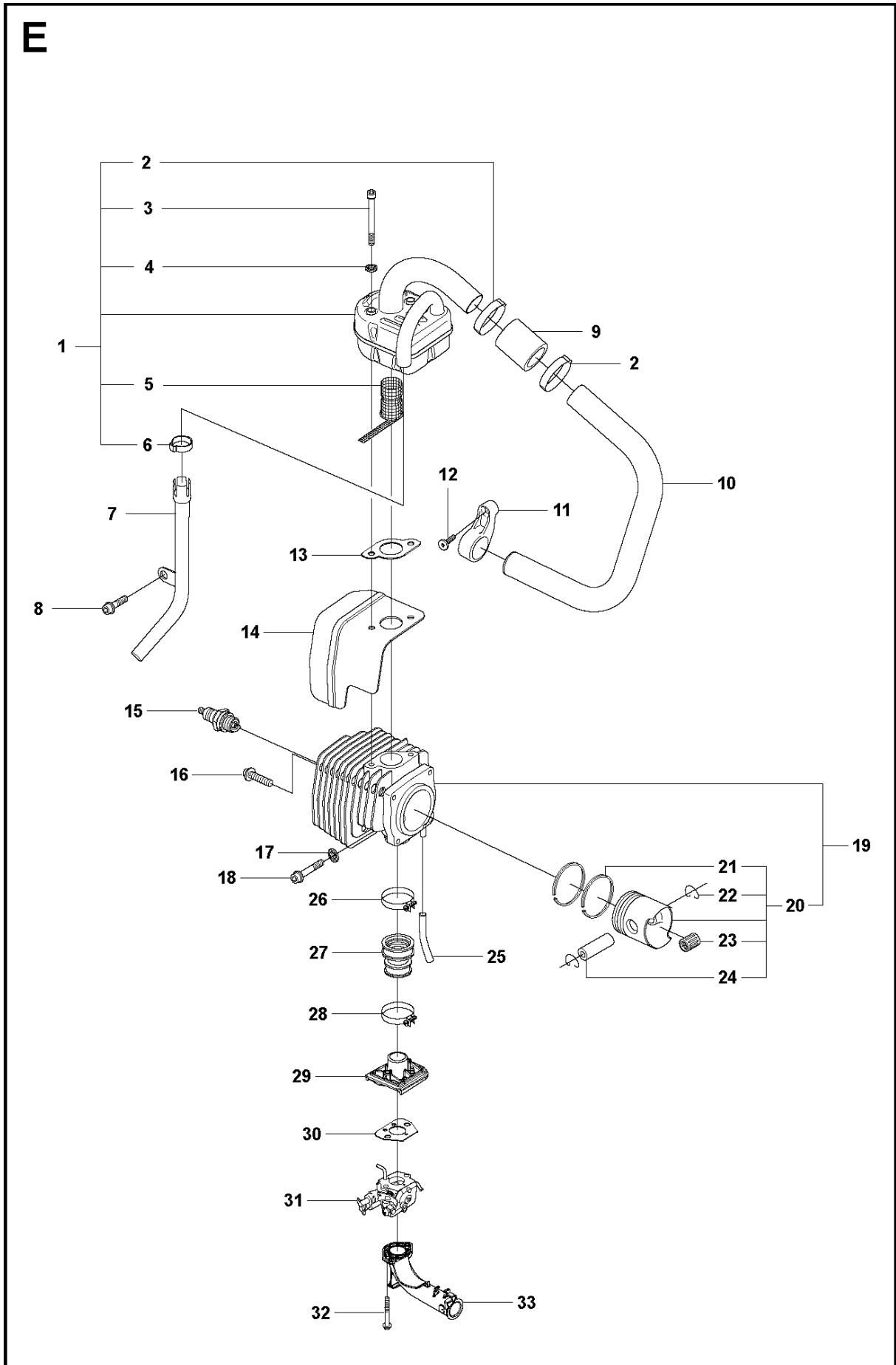
Ref	Part No	Description	Remark	QTY KIT
1	503 28 31-19	CARBURETTOR		1
2	537 39 02-01	SHAFT ASSY		1
3	537 37 03-01	VALVE		1
4	503 48 18-01	SCREW		1
5	503 48 05-01	SCREW		1
6	503 97 43-01	COVER		1
7	503 48 02-01	DIAPHRAGM		1
8	503 48 03-01	GASKET		1
9	503 48 01-01	SCREW		1
10	503 48 00-01	PIN RETAINING SCREW		1
11	503 66 59-01	LEVER		1
12	537 02 03-01	SPRING		1
13	503 47 97-01	VALVE		1
14	503 53 56-01	PLUG WELCH		1
15	537 38 52-01	CLIP		1
16	537 01 26-01	SPRING		1
17	537 01 25-01	BALL		1
18	503 53 57-01	STRAINER		1
19	537 27 42-01	BOOT		1
20	503 90 34-01	RETAINER		1
21	503 97 40-01	WASHER		2
22	537 27 55-01	SCREW	H	1
23	537 27 56-01	SCREW	L	1
24	503 90 33-01	LIMITER CAP		1
25	503 90 32-01	LIMITER CAP		1
26	503 47 92-01	SCREW		1
27	537 39 01-01	VALVE		1
28	537 39 00-01	SHAFT ASSY		1
29	537 01 97-01	SPRING		1
30	503 75 53-01	SCREW		1
31	537 02 00-01	DIAPHRAGM PUMP		1
32	537 02 01-01	GASKET PUMP		1
33	537 02 02-01	COVER		1
34	503 47 96-01	SCREW		1
35	537 02 07-01	SCREW		1
36	503 48 11-01	PIECE		1



## COVER

356 BF X-SERIES from 2014-12

Ref	Part No	Description	Remark	QTY KIT
1	537 05 77-01	HUB CAP		1
2	537 11 72-01	HUB CAP		1
3	537 22 20-01	EXHAUST COVER		1
4	735 58 41-00	WASHER		3
5	537 11 59-01	HUB CAP		1
6	735 58 41-00	WASHER		6
7	537 11 58-01	INSULATING		1
8	735 58 41-00	WASHER		7
9	537 42 42-01	ALUMINIUM FOIL		1
10	537 41 54-01	CHASSIS		1
11	503 21 59-12	SCREW IHSCT		4
12	537 21 77-01	BASE		4
13	503 89 47-01	SNAP		4
14	504 10 76-01	SLEEVE		1
15	734 11 77-71	WASHER		1
16	735 31 15-20	E-CLIP		1
17	537 11 73-01	COVER	356BTx	1
18	537 21 57-01	CHOKE CONTROL		1
19	503 14 54-02	GROMMET		1
20	735 31 13-20	E-CLIP	356BTx	1
21	503 21 59-12	SCREW IHSCT		2
22	537 19 33-01	GRID		1
24	537 40 29-01	LABEL	356BTx	1
25	537 40 29-02	LABEL	356BFx	1
26	587 23 78-01	LABEL	ROW	1

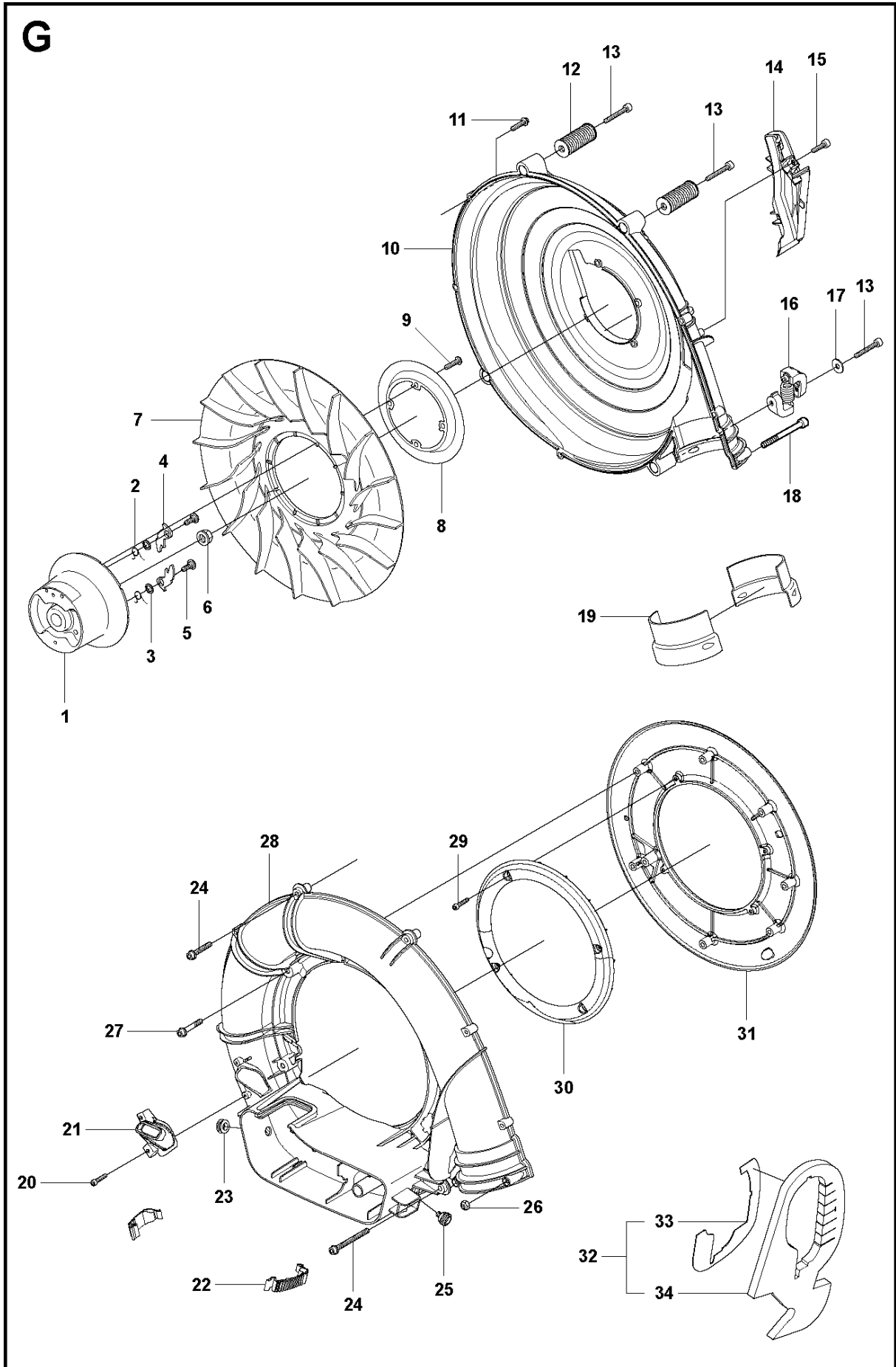




## CYLINDER, PISTON &amp; MUFFLER

356 BF X-SERIES from 2014-12

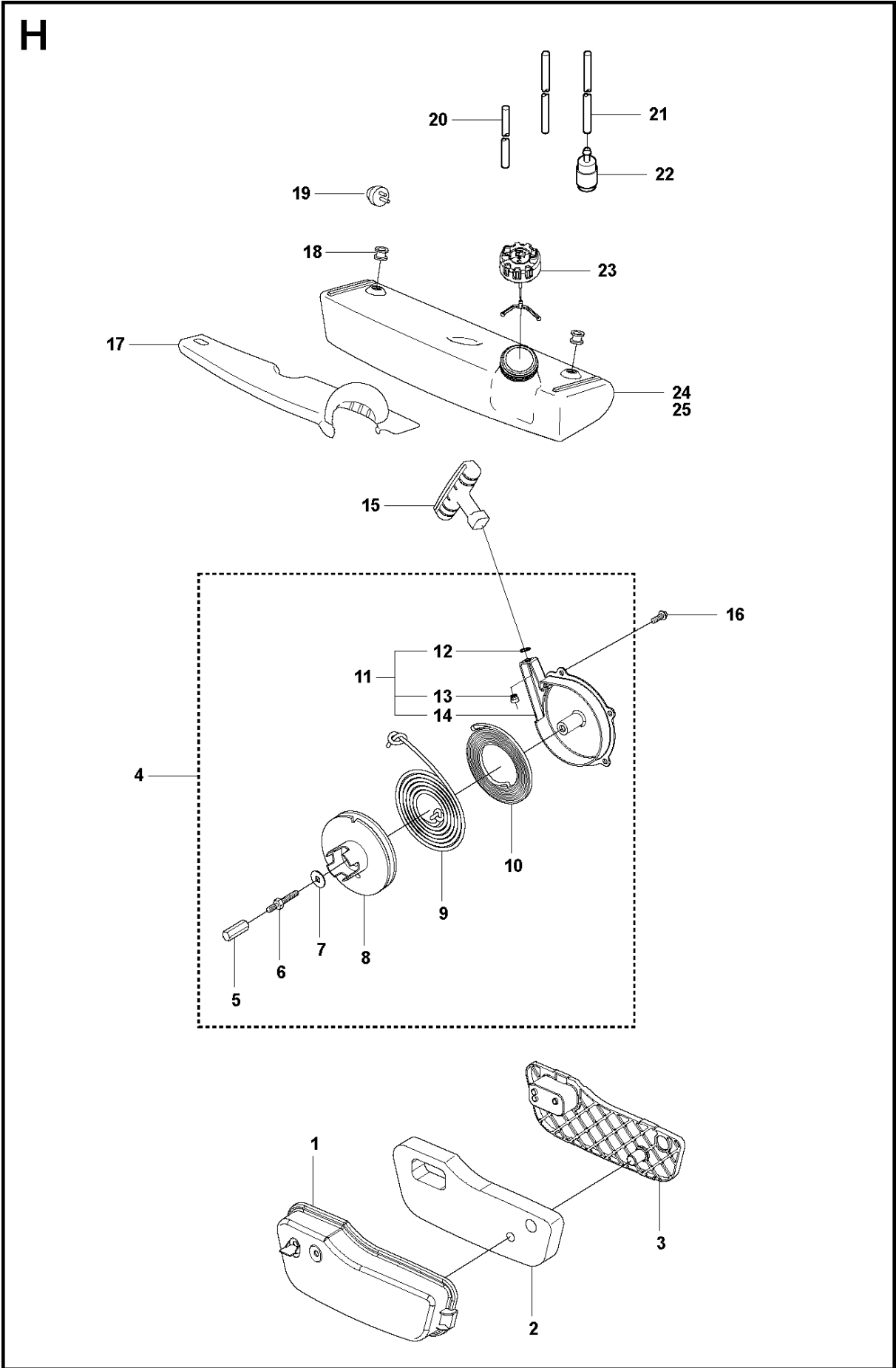
Ref	Part No	Description	Remark	QTY KIT
1	537 42 26-01	MUFFLER		1
2	544 31 70-01	HOSE CLAMP		1
3	725 53 83-56	SCREW IHSCM		2
4	503 23 04-04	WASHER		2
5	537 40 19-01	SPARK ARRESTOR SCREEN	US only	1
6	544 31 70-02	HOSE CLAMP		1
7	537 25 03-01	OUTLET PIPE		1
8	503 21 75-16	SCREW IHSCFT		1
9	537 21 76-01	HOSE		1
10	537 22 57-01	PIPE		1
11	537 25 92-01	BRACKET		1
12	501 81 99-01	SCREW		1
13	544 07 94-01	GASKET		1
14	537 06 15-01	HEAT DEFLECTOR		1
15	503 23 51-08	SPARK PLUG	alt. 503 23 51-11	1
16	725 53 33-55	SCREW IHSCM		4
17	503 23 04-02	WASHER		1
18	503 20 02-60	SCREW IHSCFM		1
19	537 41 50-01	PISTON		1
20	537 26 18-02	PISTON		1
21	503 28 90-10	PISTON RING		2
22	737 43 12-00	SNAP RING		2
23	503 73 39-01	BEARING		1
24	503 28 91-09	PISTON PIN		1
25	544 32 49-34	FUEL HOSE		1
26	537 31 58-01	HOSE CLAMP		1
27	537 06 17-01	INLET PIPE		1
28	537 31 58-02	HOSE CLAMP		1
29	537 17 52-01	BRACKET		1
30	537 25 49-01	GASKET		1
31	503 28 31-19	CARBURETTOR		1
32	503 21 75-50	SCREW IHSCFT		1
33	537 06 18-01	INLET BEND	BF & BT up to 2009	1
33	537 06 18-02	INLET BEND	BT from 2009	1



## FAN

356 BF X-SERIES from 2014-12

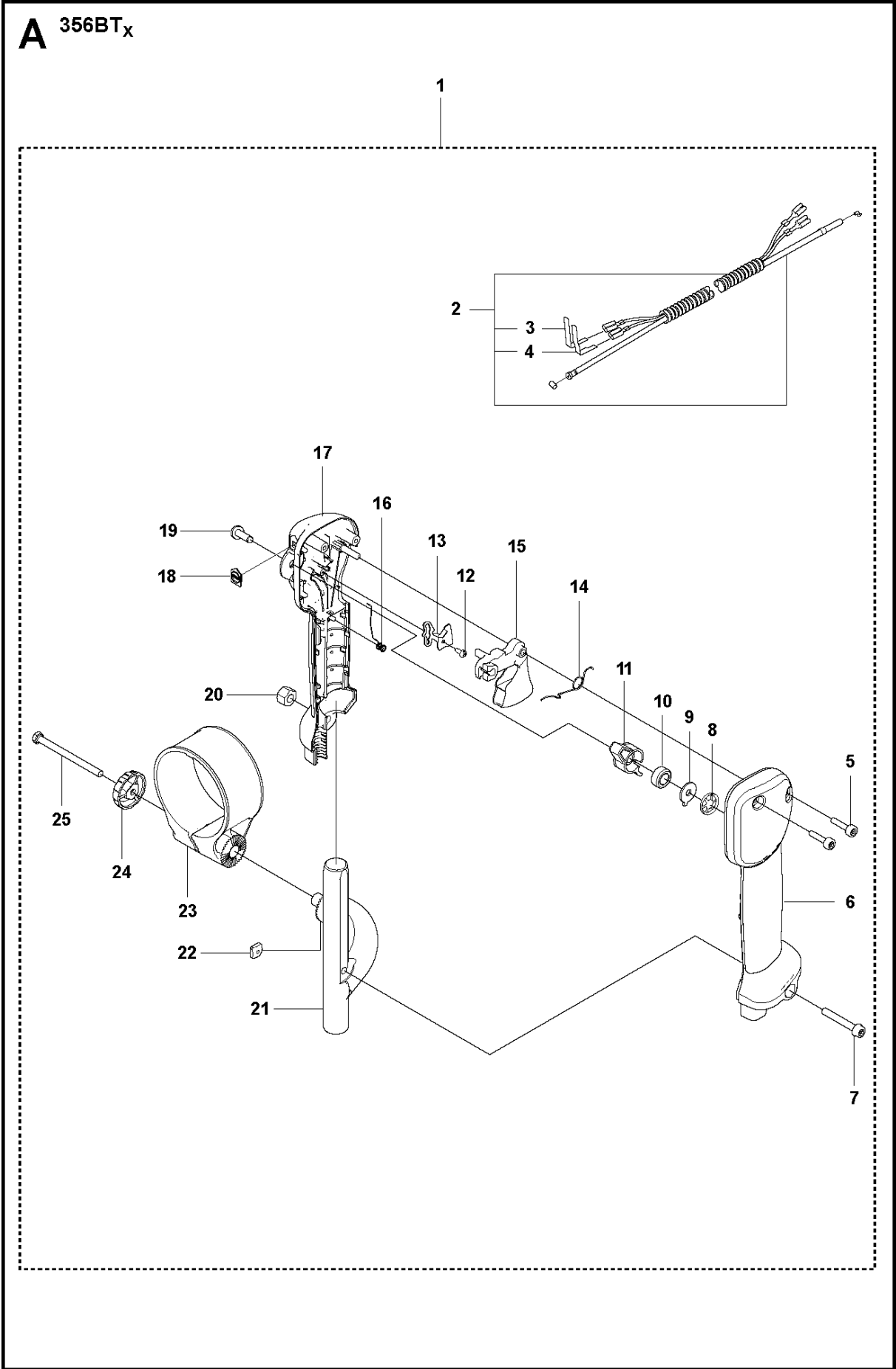
Ref	Part No	Description	Remark	QTY KIT
1	537 19 25-01	HUB		1
2	501 67 35-01	SPRING		2
3	503 23 00-42	WASHER		2
4	501 67 32-01	PAWL		2
5	501 81 99-01	SCREW		2
6	503 22 04-01	NUT		1
7	537 18 89-01	IMPELLER		1
8	537 21 72-01	ATTACHMENT PLATE		1
9	503 20 49-01	SCREW IH PANM		4
10	544 28 37-01	FAN HOUSING		1
11	503 21 75-25	SCREW IH SCFT		5
12	537 25 27-01	ANTIVIBRATION ELEMENT		2
13	503 20 07-12	SCREW IH SCFM		4
14	537 29 79-01	AIR CONDUCTOR		1
15	503 21 66-10	SCREW IH SCT		3
16	537 30 01-01	ANTIVIBRATION ELEMENT		2
17	734 11 47-41	WASHER		2
18	537 24 63-01	SCREW		2
19	537 18 84-01	WEAR RING		2
20	503 21 66-10	SCREW IH SCT		2
21	537 28 18-01	AIR NOZZLE		1
22	503 89 47-01	SNAP		2
23	537 21 78-01	GROMMET		1
24	537 31 60-01	SCREW IH SCFM		2
25	503 79 14-02	GROMMET		1
26	503 22 10-15	HEXAGON NUT		2
27	503 20 02-16	SCREW IH SCFM		7
28	537 05 71-01	FAN HOUSING		1
29	503 21 66-10	SCREW IH SCT		4
30	537 27 07-01	AIR CONDUCTOR		1
31	537 05 73-01	GUIDE PLATE		1
32	544 43 80-01	INSULATION		1
33	544 19 69-01	TAPE		1
34	544 43 80-01	INSULATION		1



## FUEL TANK, STARTER &amp; AIR FILTER

356 BF X-SERIES from 2014-12

Ref	Part No	Description	Remark	QTY KIT
1	537 06 21-01	HUB CAP		1
2	537 06 19-01	AIR FILTER		1
3	537 06 20-01	GRID		1
4	537 00 60-01	STARTER		1
5	537 42 47-01	SPACER		1
6	537 42 53-01	SCREW		1
7	503 23 00-74	WASHER		1
8	501 89 67-03	STARTER PULLEY		1
9	503 43 29-04	STARTER CORD		1
10	503 13 50-01	RECOIL SPRING ASSY		1
11	504 04 93-02	STARTER HOUSING		1
12	735 31 11-00	CIRCLIP		1
13	504 10 49-01	SLEEVE		1
14	537 05 74-01	STARTER HOUSING		1
15	503 54 39-01	STARTER HANDLE		1
16	503 20 78-10	SCREW IHSCFM		4
17	537 38 82-01	COVER		1
18	503 73 58-01	BUSHING		2
19	503 93 66-01	PRIMER HOUSING		1
20	537 04 24-08	FUEL HOSE		2
21	537 04 24-11	FUEL HOSE		1
22	503 44 32-01	FILTER		1
23	504 03 18-01	TANK CAP ASSY		1
24	537 11 61-01	FUEL TANK	ROW	1
25	544 33 14-01	FUEL TANK	USA	1

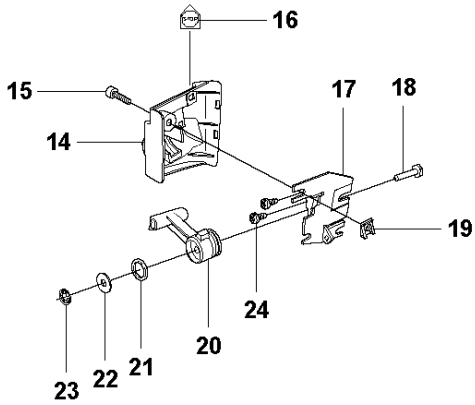
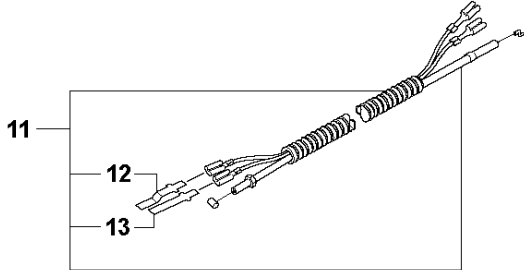
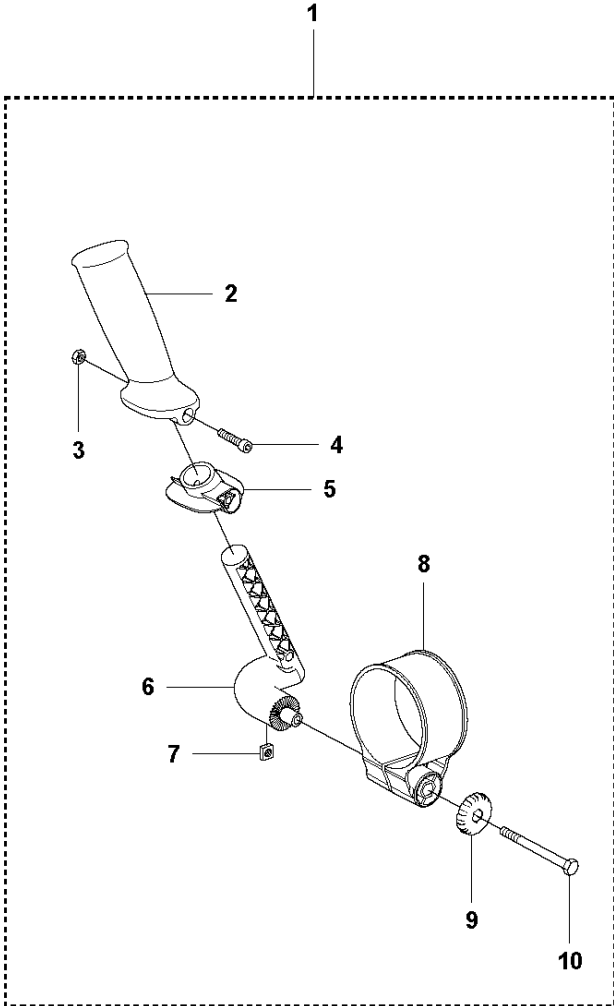


## HANDLE &amp; CONTROLS

356 BF X-SERIES from 2014-12

Ref	Part No	Description	Remark	QTY KIT
1	522 83 21-01	HANDLE		1
2	505 19 86-01	WIRING ASSY		1
3	537 22 63-01	CONNECTOR		1
4	537 22 62-01	CONNECTOR		1
5	505 29 12-01	SCREW		2
6	502 24 49-01	HANDLE HALF		1
7	505 29 08-01	SCREW		1
8	735 58 35-01	WASHER		1
9	505 18 15-01	WASHER		1
10	537 37 39-01	SPRING		1
11	502 24 55-01	CONTROL		1
12	505 29 10-01	SCREW		1
13	502 24 60-01	RETAINER		1
14	537 17 42-01	SPRING THROTTLE TRIG		1
15	502 24 54-01	TRIGGER		1
16	505 56 79-01	SPRING		1
17	502 24 48-01	HANDLE HALF		1
18	502 64 17-01	PLATE		1
19	537 14 12-03	SHAFT PIVOT		1
20	503 22 10-13	HEXAGON NUT		1
21	502 24 53-01	HOLDER		1
22	503 22 65-04	SQUARE NUT		1
23	537 26 03-01	BRACKET		1
24	502 20 40-01	KNOB		1
25	725 23 44-51	SCREW EHHM		1

**B** 356BF<sub>x</sub>

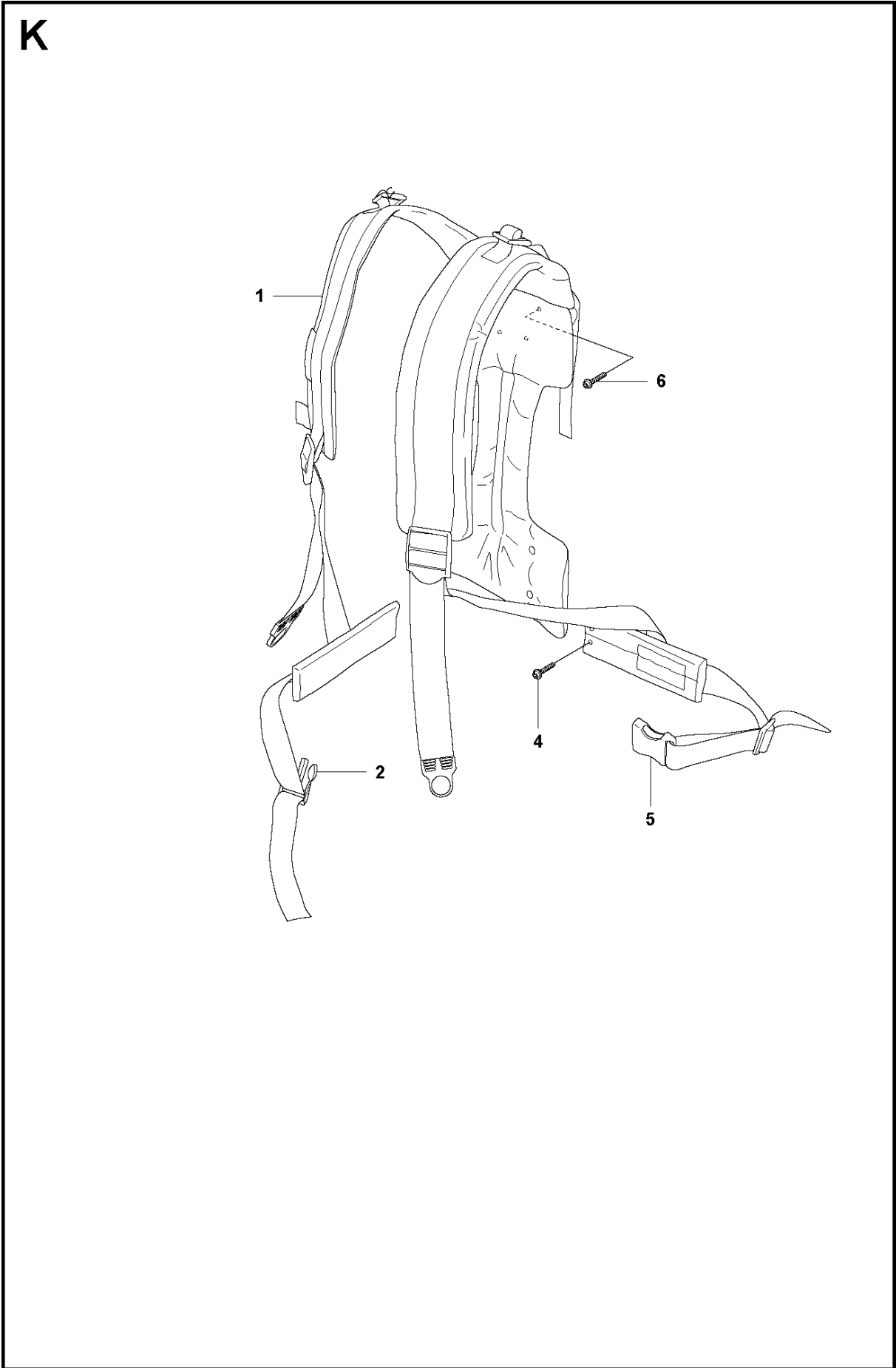




## HANDLE &amp; CONTROLS

356 BF X-SERIES from 2014-12

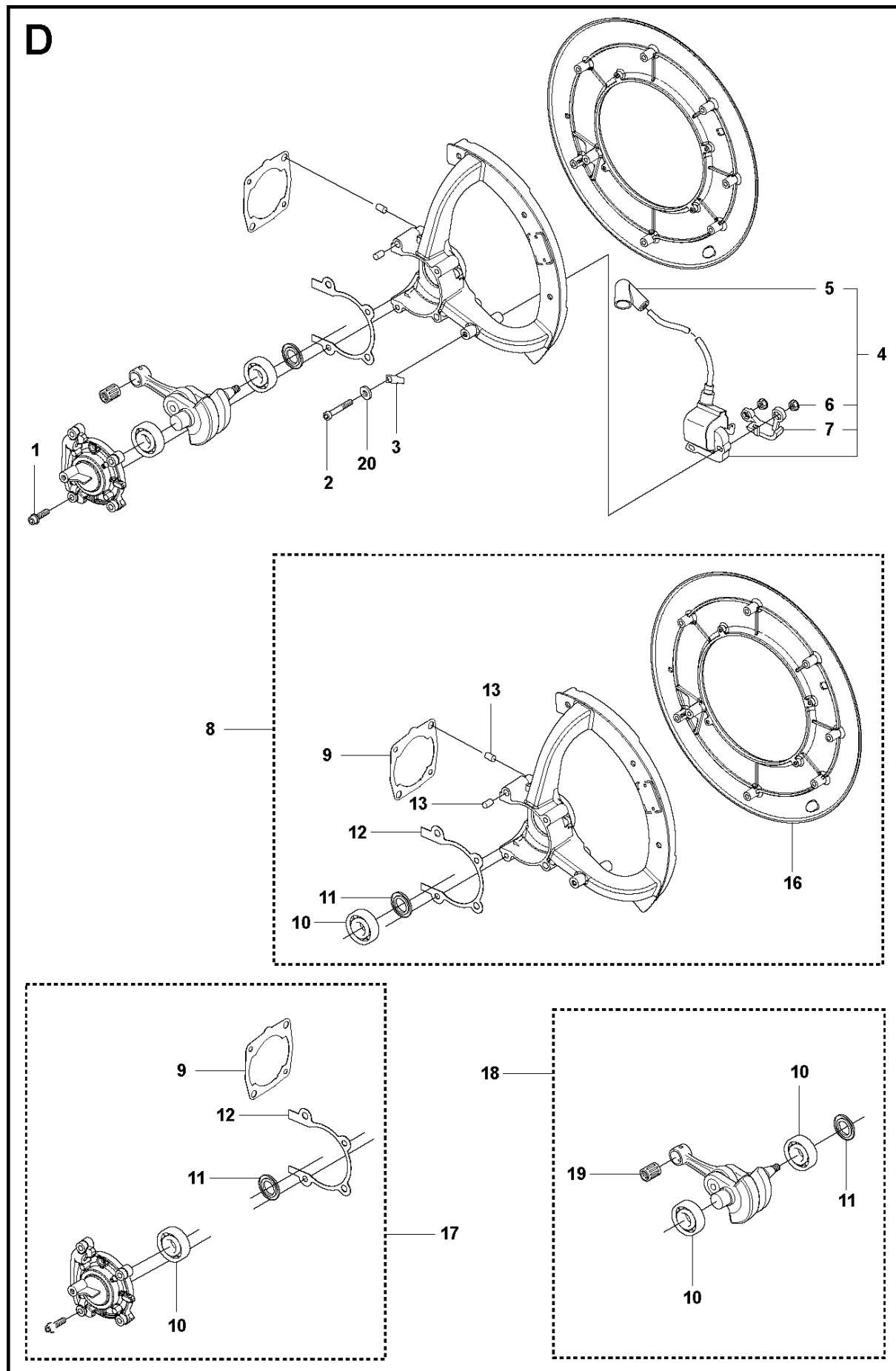
Ref	Part No	Description	Remark	QTY KIT
1	537 23 12-01	HANDLE		1
2	537 17 28-01	HANDLE		1
3	731 23 14-01	HEXAGON NUT		1
4	503 20 07-45	SCREW IHSCFM		1
5	537 17 29-01	COVER		1
6	537 26 02-01	STAY		1
7	503 22 65-04	SQUARE NUT		1
8	537 26 03-01	BRACKET		1
9	502 20 40-01	KNOB		1
10	725 23 44-51	SCREW EHHM		1
11	537 31 54-01	WIRING		1
12	502 28 44-02	SPRING		1
13	502 28 44-01	SPRING		1
14	537 28 69-01	COVER		1
15	503 20 07-12	SCREW IHSCFM		4
16	537 27 77-01	PLATE		1
17	537 28 67-01	BRACKET		1
18	537 14 12-02	SHAFT PIVOT		1
19	503 22 69-02	NUT		4
20	537 28 68-01	HANDLE		1
21	537 37 39-01	SPRING		1
22	734 11 47-41	WASHER		1
23	735 58 35-01	WASHER		1
24	503 21 29-06	SCREW CCRPANT		2



HARNESS

356 BF X-SERIES from 2014-12

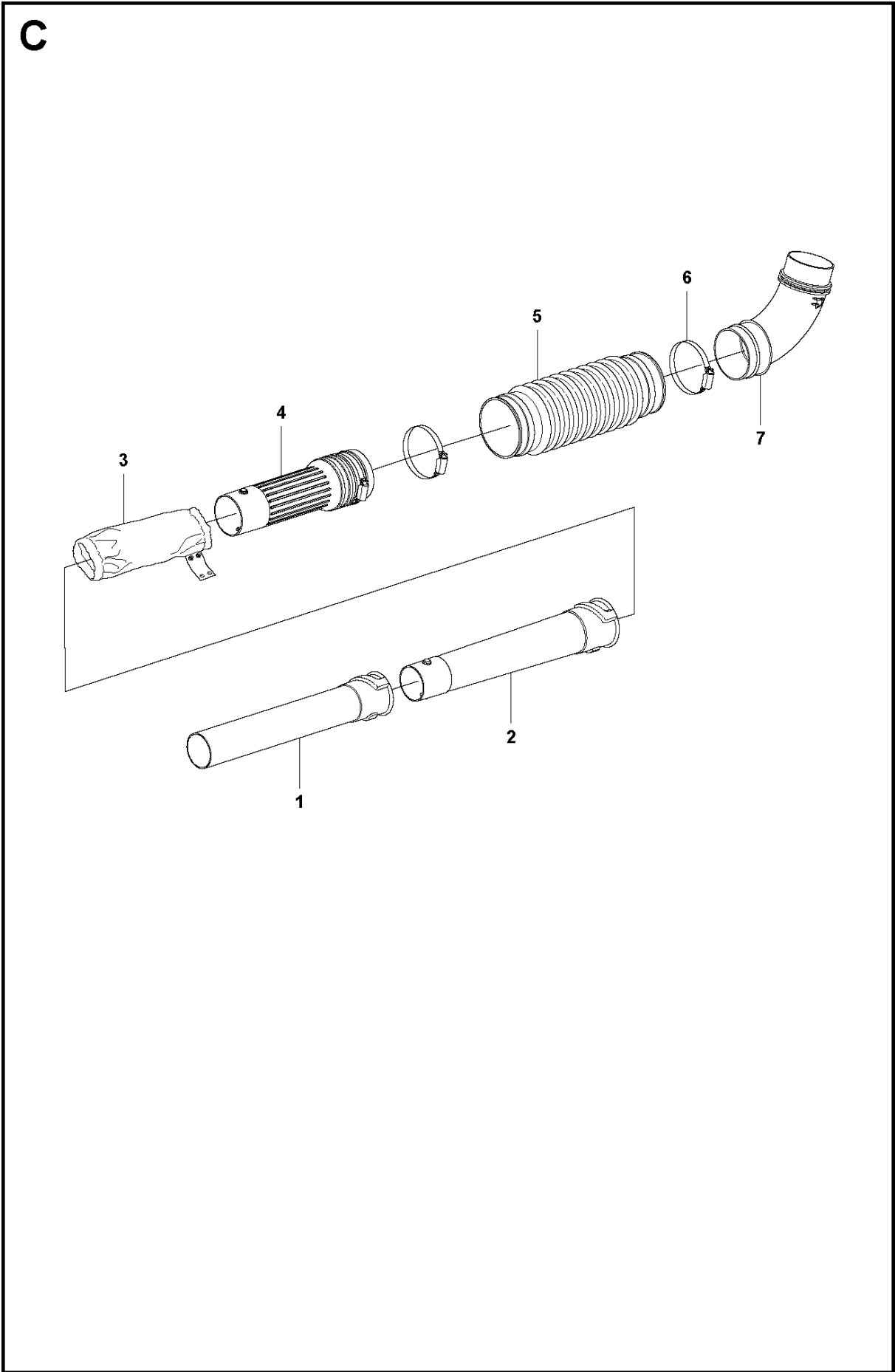
Ref	Part No	Description	Remark	QTY KIT
1	504 56 86-01	HARNESS		1
2	537 30 54-01	BUCKLE		1
4	503 21 52-02	SCREW		4
5	537 30 53-01	BUCKLE		1
6	503 21 52-02	SCREW		4



## IGNITION SYSTEM

356 BF X-SERIES from 2014-12

Ref	Part No	Description	Remark	QTY KIT
1	503 20 02-35	SCREW IHSCFM		4
2	503 20 25-50	SCREW IHSCM		2
3	503 24 44-01	FLAT PIN		1
3	505 13 16-01	FLAT PIN	Up to 081370240 BF	1
5	501 48 54-02	SPARK PLUG CAP		1
6	503 22 01-02	NUT FLANGE		2
7	537 29 37-01	RETAINER		1
8	537 41 47-02	CRANKCASE ASSY		1
9	537 29 66-01	GASKET		1
10	738 22 02-25	BALL BEARING		1
11	505 27 57-19	SEALING RING		1
12	537 06 11-01	GASKET		1
13	501 27 08-01	GUIDE BUSHING		4
16	537 05 73-01	GUIDE PLATE		1
17	537 41 49-01	HUB CAP		1
18	537 41 46-01	CRANKSHAFT ASSY		1
19	503 73 39-01	BEARING		1
20	503 23 00-01	WASHER		1



## TUBE

356 BF X-SERIES from 2014-12

Ref	Part No	Description	Remark	QTY KIT
1	537 03 90-01	PIPE		1
2	537 03 89-01	PIPE		1
3	537 41 59-01	COVER		1
4	537 42 27-01	PIPE		1
5	537 40 53-02	BELLOWS		1
6	537 41 58-01	HOSE CLAMP		2
7	537 41 56-01	PIPE BEND		1

# Illustrated Parts List - IPL Update



Product Name(s)

**356 BF X-SERIES**

Description of change

Warning label updated

Comments

Fully interchangeable

Introduced from

<b>Serial number / Date</b>	<b>Remark</b>
2014-08	Label 587 23 78-01

IPL updates

<b>Page Title</b>	<b>Ref. no</b>	<b>New part no</b>	<b>Name</b>	<b>Excl. part no.</b>	<b>Remark</b>
Handle	15	587 23 78-01	Label	504 03 40-01	